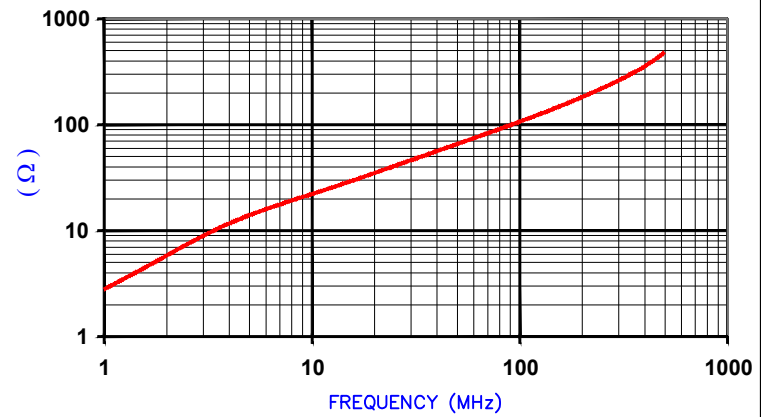
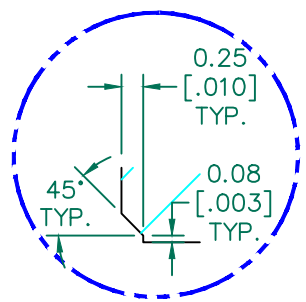


IMPEDANCE (Z)			
Frequency	25 MHz	100 MHz	300 MHz
Nominal (REF)	40 Ω	107 Ω	258 Ω
Minimum	- Ω	86 Ω	- Ω

Z vs. FREQUENCY
(REF. ONLY)



AGILENT E4991A Impedance/Material Analyzer
HP 16092A-Test Fixture TEST REF. 4481



DETAIL "A"
CHAMFER
SCALE=12:1

UNCONTROLLED DOCUMENT

FERRITE CORE DIMENSIONS (SPEC): mm [in]

A	19.20 [.756]	+ 0.29 [.011]
B	15.00 [.591]	+ 0.23 [.009]
C	10.00 [.394]	+ 0.20 [.008]
D	5.35 [.211]	+ 0.20 [.008]
E	1.15 [.045]	+ 0.20 [.008]

WEIGHT/1000 3.90 kgs [8.60 Lbs]

NOTES: UNLESS OTHERWISE SPECIFIED

1. COSMETIC SPECIFICATION REFER TO WI-QA-038.

SCALE DRAWING 1:1

28R0756-000



DIMENSIONS ARE IN mm [INCHES].				This print is the property of Laird Tech. and is loaned in confidence subject to return upon request and with the understanding that no copies shall be made without the written consent of Laird Tech. All rights to design or invention are reserved.			
REV	DESCRIPTION	DATE	INT				
F	UPDATE COMPANY LOGO	05/25/15	QIU	PROJECT/PART NUMBER: 28R0756-000 DATE: 08/13/02 SCALE: 3:1 MATERIAL: FERRITE CAD # 28R0756-000-F TOOL # R0756			
E	UPDATE Z SPECS AND COMPANY LOGO	07/27/07	JRK				
D	UPDATE Z SPECS ADJUST DIM C & D TOL PER ENGR & ADD TEST REF. #	11/15/04	TMB				
C	CHANGE PRINT FORMAT CHANGE Z SPECS	02/17/03	TMB				
B	REVISE PRINT FORMAT CHANGE 300 MHz TO 500 MHz W/125 NOM. & NO MIN	10/18/02	TMB				
A	ORIGINAL DRAFT	08/12/02	TMB	REV: F DRAWN BY: TMB			
REV	DESCRIPTION	DATE	INT				