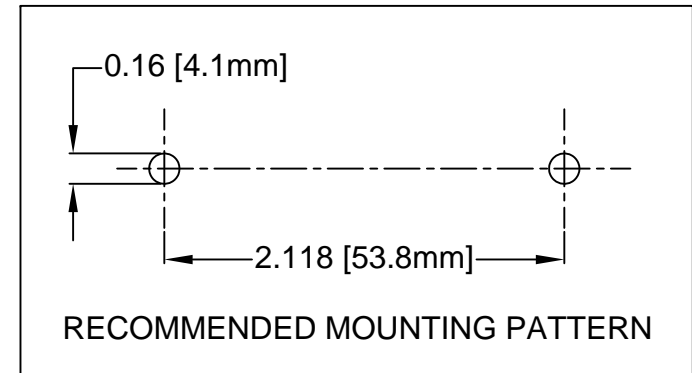
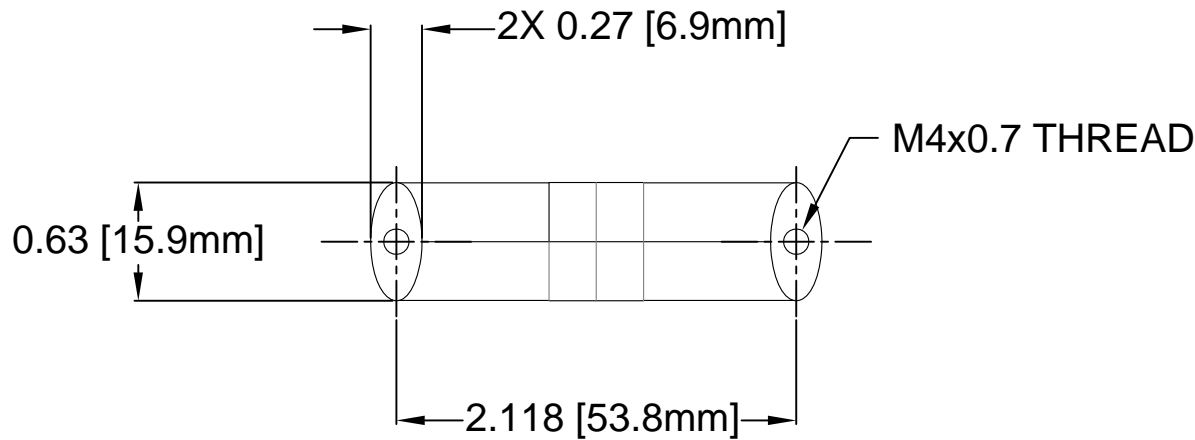
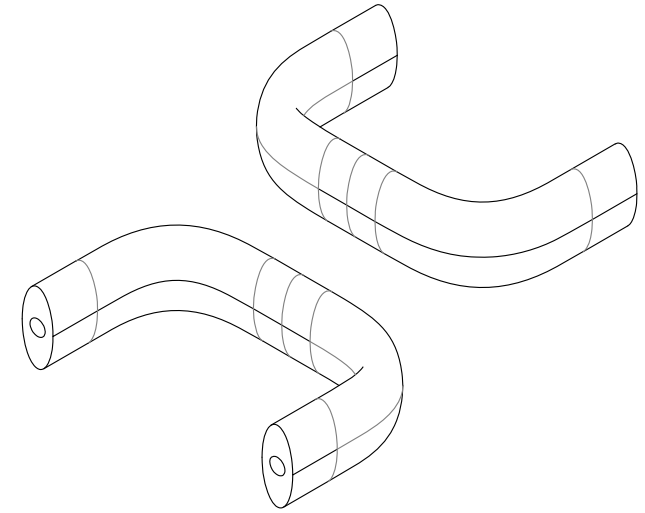
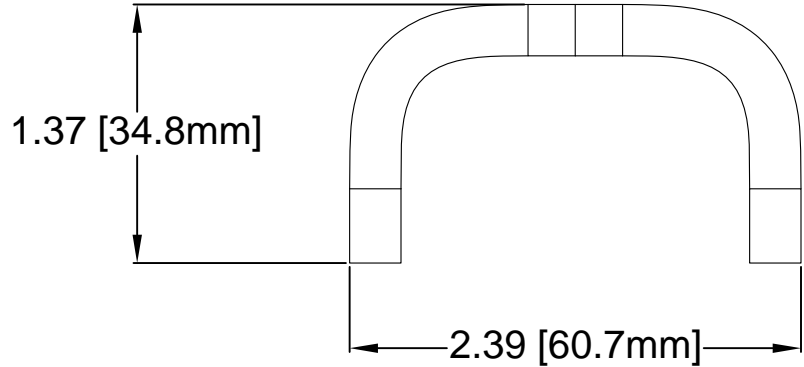
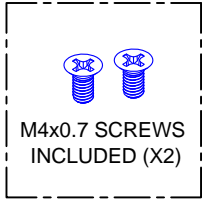


REV.	DESCRIPTION	DATE	APPROVED
A	Engineering Release	08/27/14	J. C.
B	Engineering Update w/o Changes	05/21/16	J. C.



- NOTES:
2. MOUNTING HARDWARE SHIPPED UNASSEMBLED
  1. MATERIAL: ALUMINUM

STANDARD TOLERANCE (UNLESS OTHERWISE SPECIFIED)		 4 THOMAS, IRVINE, CA. 92618 TEL: (949) 951-8808 FAX: (949) 951-3974	
DECIMALS	ANGULAR		
.X ± .1	X° ± 1°	 <b>TITLE:</b> 2U SUBRACK HANDLE, OVAL	<b>REVISION:</b> B
.XX ± .02			
.XXX ± .010		<b>DESIGNED:</b> A. Wright	<b>DATE:</b> 08/27/14
<b>CHECKED:</b> B. Oliver		<b>DATE:</b> 08/27/14	<b>PART NO:</b> SRH-2RUO <b>CAGE CODE :</b> 32559 <b>SHEET #</b> 1 OF 1
CAD GENERATED DOCUMENT. DO NOT MEASURE DRAWING.			