

4

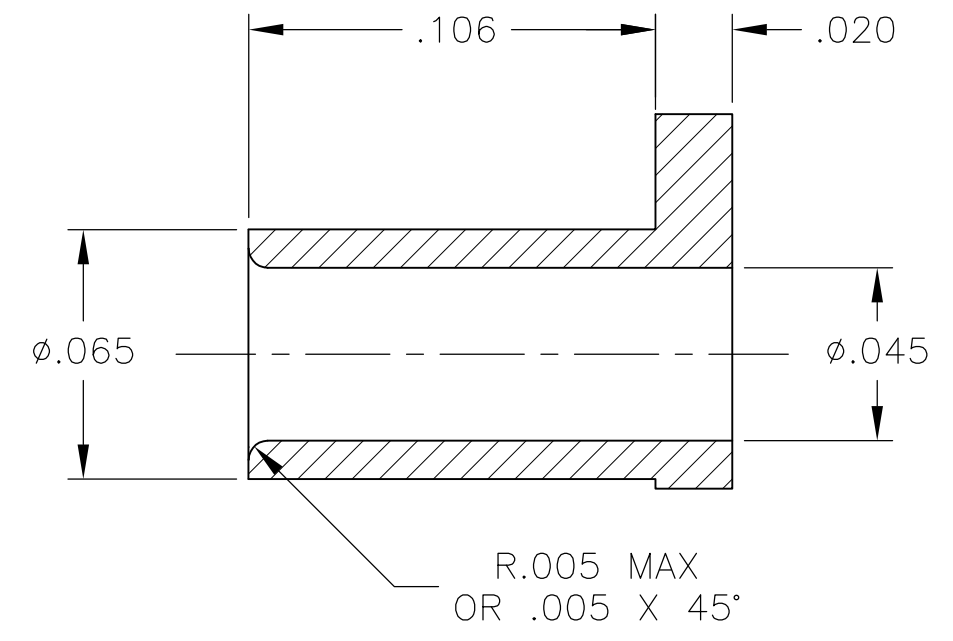
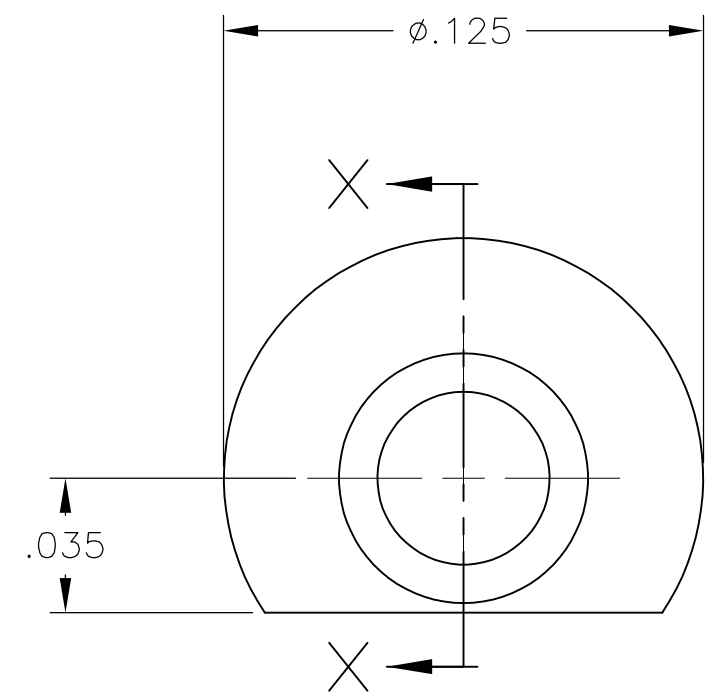
3

2

1

THIS DRAWING IS UNPUBLISHED. RELEASED FOR PUBLICATION  
 © COPYRIGHT - By - ALL RIGHTS RESERVED.

LOC		DIST		REVISIONS			
P	LTR	DESCRIPTION		DATE	DWN	APVD	
	C	REV PER ECO		11-015051	7-22-11	CT	DH



SECTION X-X

- 1 MATL: BRASS
- 2 FINISH: .000030 MIN NICKEL PLATED.

1	2	534164-2
AS SHOWN		534164-1
DESCRIPTION		PART NUMBER

THIS DRAWING IS A CONTROLLED DOCUMENT.		DWN T. THOMPSON	01-10-95	TE Connectivity			
DIMENSIONS: INCHES		CHK D. GUTTER	01-23-94				
		APVD D. GUTTER	01-23-94	NAME			
TOLERANCES UNLESS OTHERWISE SPECIFIED:		PRODUCT SPEC		KEY, RIVET, MINI-BOX PIN HEADER CONNECTOR			
0 PLC ± -		APPLICATION SPEC					
1 PLC ± -		WEIGHT		SIZE	CAGE CODE	DRAWING NO	RESTRICTED TO
2 PLC ± -		-		A3	00779	C-534164	-
3 PLC ± .005		CUSTOMER DRAWING		SCALE		SHEET	REV
4 PLC ± -				20:1		1 OF 1	C
ANGLES ± -							
FINISH							
-							