

MODEL:

PDUMV15NET

Switched Rackmount PDU



Low Voltage
Input/Output



16 Outlets



15A Max Capacity



Load Meter



Network
Interface

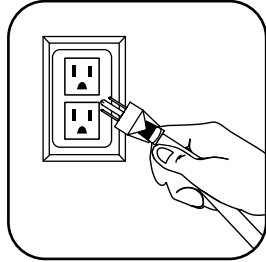


0U Rackmount



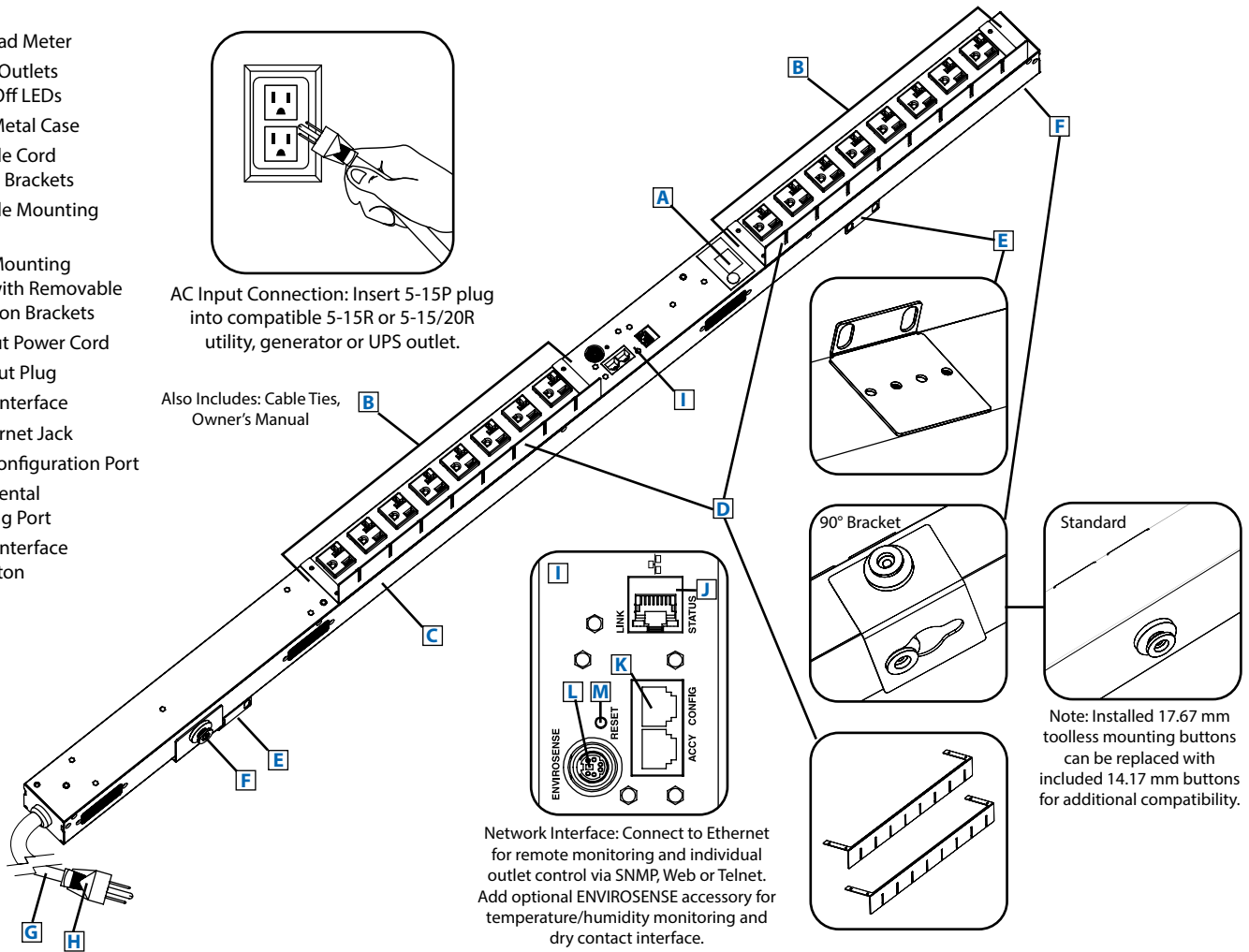
Toolless
Mounting
Buttons

- A** Digital Load Meter
- B** 5-15/20R Outlets with On/Off LEDs
- C** Durable Metal Case
- D** Removable Cord Retention Brackets
- E** Removable Mounting Brackets
- F** Toolless Mounting Buttons with Removable 90° Rotation Brackets
- G** 10 ft. Input Power Cord
- H** 5-15P Input Plug
- I** Network Interface
- J** RJ45 Ethernet Jack
- K** Manual Configuration Port
- L** Environmental Monitoring Port
- M** Network Interface Reset Button



AC Input Connection: Insert 5-15P plug into compatible 5-15R or 5-15/20R utility, generator or UPS outlet.

Also Includes: Cable Ties, Owner's Manual



Network Interface: Connect to Ethernet for remote monitoring and individual outlet control via SNMP, Web or Telnet. Add optional ENVIROSENSE accessory for temperature/humidity monitoring and dry contact interface.

Note: Installed 17.67 mm toolless mounting buttons can be replaced with included 14.17 mm buttons for additional compatibility.

Specifications

Model	PDUMV15NET
Voltage	100-125V
Frequency	50/60 Hz
Maximum Capacity	15A
Agency-Derated Capacity	12A
Input Connector	5-15P
Cord Length	10 ft.
Outlets	16 (5-15/20R)
Primary Mounting Option	0U (Vertical) Rackmount
Unit Weight & Dimensions	7 lb / 49 x 2.19 x 1.73 in. <i>See next page for detailed unit measurements.</i>
Standards	Tested to UL 60950-1 (US & Canada), NOM (Mexico), FCC Class A

Tripp Lite has a policy of continuous improvement. Specifications are subject to change without notice.

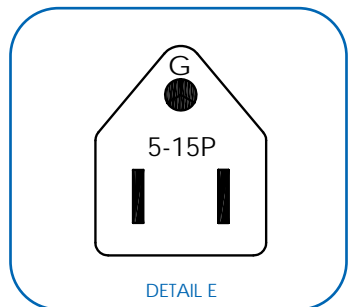
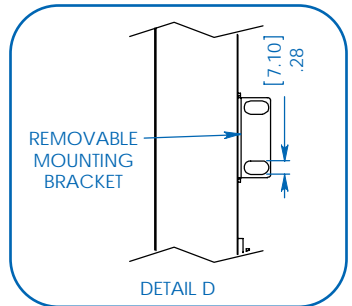
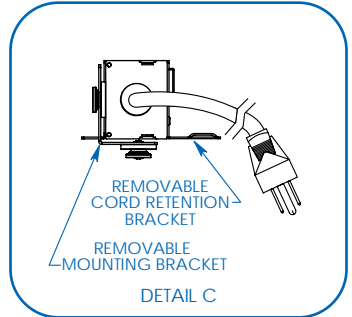
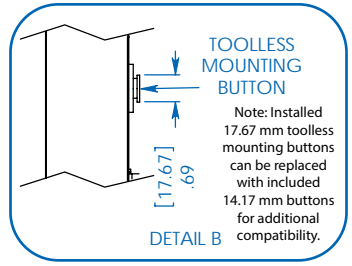
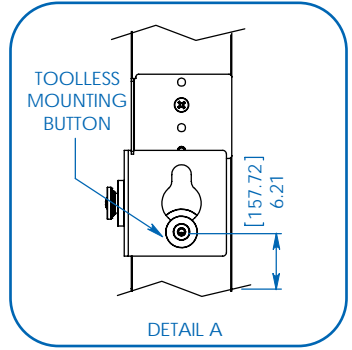
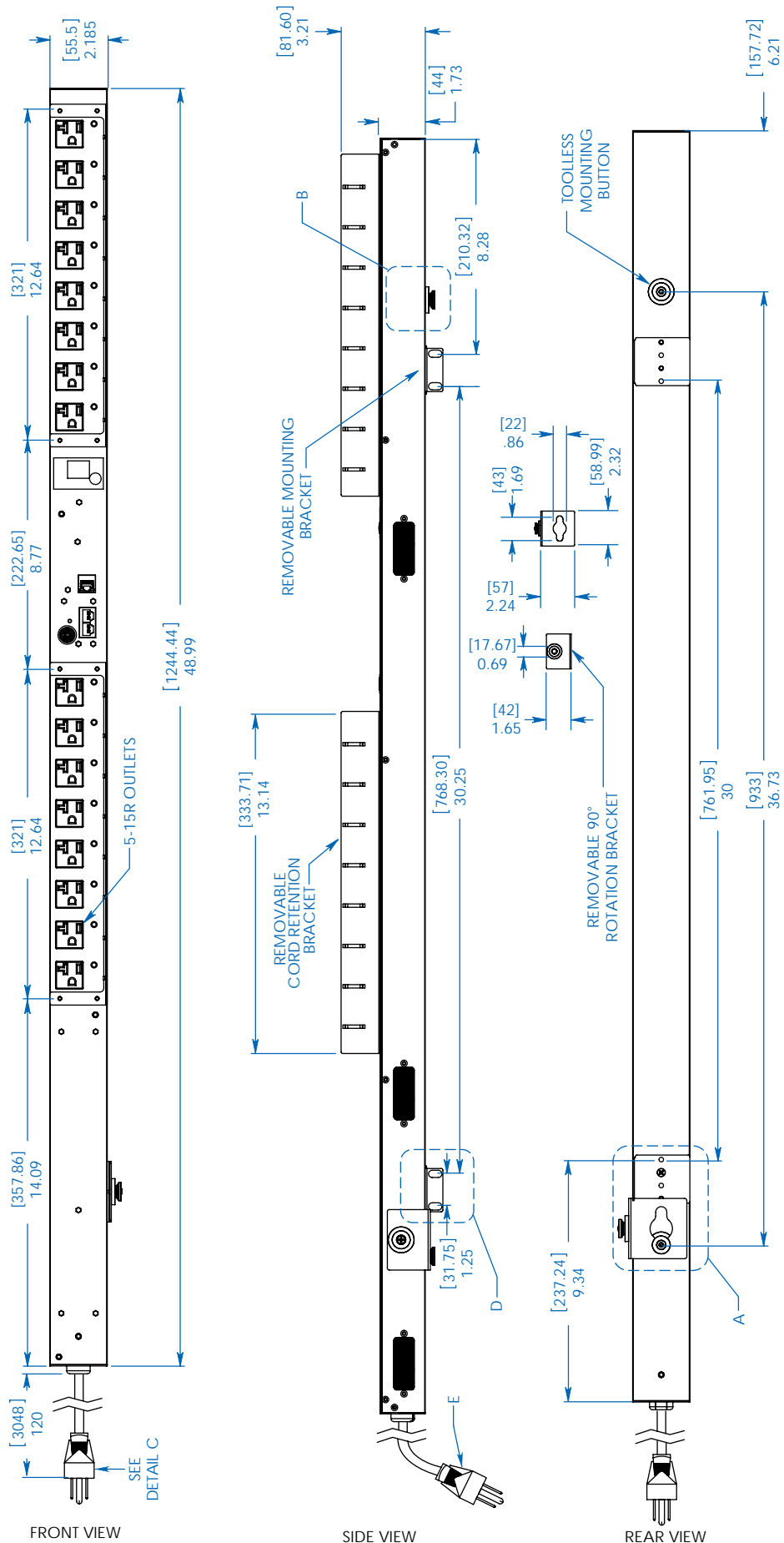


- Distributes power to 16 outlets
- Remote monitoring and control via SNMP, Web or Telnet
- Displays total load in real time
- Perfect for rackmount server, network and telecom applications

SEE NEXT PAGE FOR DETAILED UNIT MEASUREMENTS



1111 W. 35th Street
Chicago, IL 60609 USA
773.869.1234
www.tripplite.com



MODEL:
PDUMV15NET



1111 W. 35th Street
Chicago, IL 60609 USA
773.869.1234
www.tripplite.com

Dimensions: [mm] INCHES

Tripp Lite has a policy of continuous improvement. Specifications are subject to change without notice.