



**HIRSCHMANN**

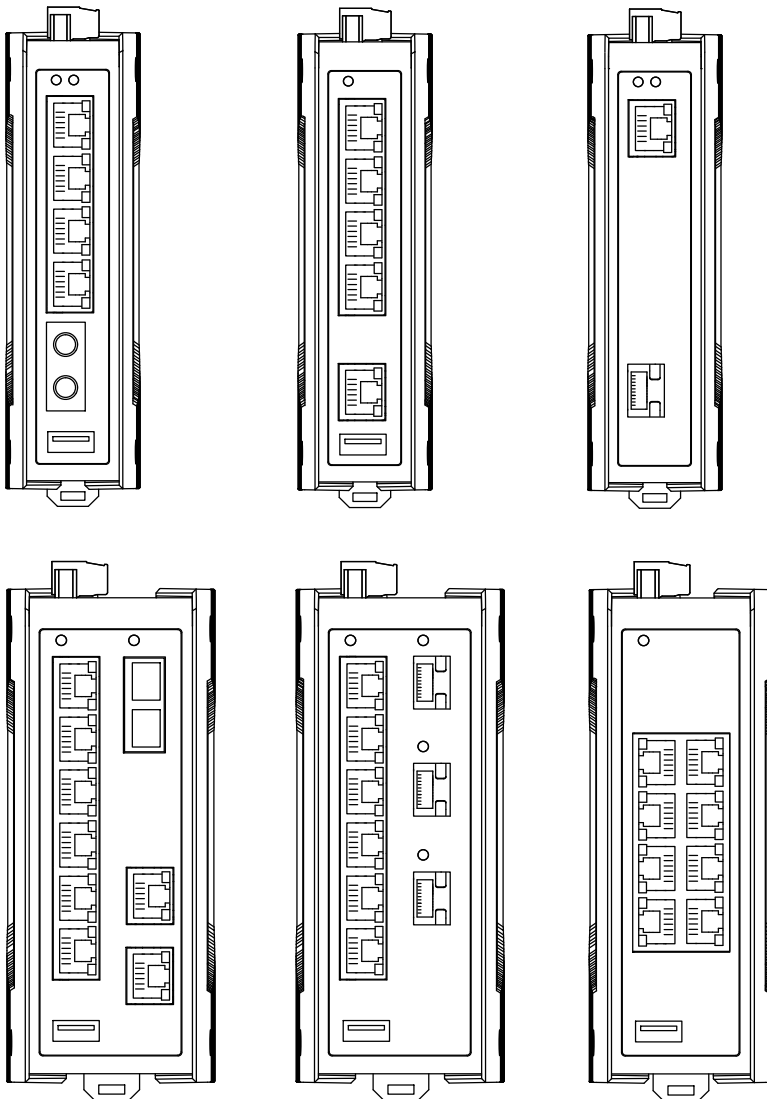
A **BELDEN** BRAND

# User Manual

## Installation

### Industrial Ethernet Rail Switch

### SPIDER III Premium Line



The naming of copyrighted trademarks in this manual, even when not specially indicated, should not be taken to mean that these names may be considered as free in the sense of the trademark and tradename protection law and hence that they may be freely used by anyone.

© 2016 Hirschmann Automation and Control GmbH

Manuals and software are protected by copyright. All rights reserved. The copying, reproduction, translation, conversion into any electronic medium or machine scannable form is not permitted, either in whole or in part. An exception is the preparation of a backup copy of the software for your own use.

The performance features described here are binding only if they have been expressly agreed when the contract was made. This document was produced by Hirschmann Automation and Control GmbH according to the best of the company's knowledge. Hirschmann reserves the right to change the contents of this document without prior notice. Hirschmann can give no guarantee in respect of the correctness or accuracy of the information in this document.

Hirschmann can accept no responsibility for damages, resulting from the use of the network components or the associated operating software. In addition, we refer to the conditions of use specified in the license contract.

You can get the latest version of this manual on the Internet at the Hirschmann product site ([www.hirschmann.com](http://www.hirschmann.com)).

Hirschmann Automation and Control GmbH  
Stuttgarter Str. 45-51  
72654 Neckartenzlingen  
Germany  
Tel.: +49 1805 141538

# Contents

<b>Safety instructions</b>	<b>5</b>
<b>About this Manual</b>	<b>9</b>
<b>Key</b>	<b>9</b>
<b>1 Description</b>	<b>10</b>
1.1 General device description	10
1.2 Device name and product code	10
1.3 Device view	12
1.3.1 Front view	12
1.4 Power supply	14
1.5 Ethernet ports	14
1.5.1 Pin assignments	15
1.6 Display elements	16
1.6.1 Device state	16
1.6.2 Port state	17
<b>2 Configuration interface</b>	<b>18</b>
2.1 USB interface	18
<b>3 Signal contact</b>	<b>19</b>
<b>4 Installation</b>	<b>20</b>
4.1 Checking the package contents	20
4.2 Mounting the device	20
4.2.1 Installing the device onto the DIN rail	20
4.2.2 Mounting on a flat surface	22
4.3 Grounding the device	23
4.4 Installing an SFP transceiver (optional)	23
4.5 Connecting the terminal block	24
4.6 Operating the device	25
4.6.1 Installing terminal blocks, switching on the supply voltage	25
4.6.2 Connecting data cables	25

<b>5</b>	<b>Configuration (optional)</b>	<b>26</b>
5.1	Configuration readout	30
<b>6</b>	<b>Monitoring the ambient air temperature</b>	<b>31</b>
<b>7</b>	<b>Maintenance and service</b>	<b>32</b>
<b>8</b>	<b>Disassembly</b>	<b>33</b>
8.1	Removing an SFP transceiver (optional)	33
8.2	Removing the device	34
<b>9</b>	<b>Technical data</b>	<b>35</b>
<b>A</b>	<b>Further Support</b>	<b>46</b>

# Safety instructions

## ■ General safety instructions

You operate this device with electricity. Improper usage of the device entails the risk of physical injury or significant property damage. The proper and safe operation of this device depends on proper handling during transportation, proper storage and installation, and careful operation and maintenance procedures.

- Before connecting any cable, read this document, and the safety instructions and warnings.
- Operate the device with undamaged components exclusively.
- The device is free of any service components. In case of a damaged or malfunctioning the device, turn off the supply voltage and return the device to Hirschmann for inspection.

## ■ Certified usage

Use the device solely for the application cases described in the Hirschmann product information, including this manual.

Operate the device solely according to the technical specifications.

See [“Technical data” on page 35](#).

## ■ Installation site requirements

- When you are selecting the installation location, make sure you observe the climatic threshold values specified in the technical data.
- Operate the device at the specified ambient temperature (temperature of the ambient air at a distance of 2 inches (5 cm) from the device) and at the specified relative humidity exclusively.
- Use the device in an environment with a maximum pollution degree that complies with the specifications in the technical data.

## ■ Qualification requirements for personnel

- Only allow qualified personnel to work on the device.

Qualified personnel have the following characteristics:

- ▶ Qualified personnel are properly trained. Training as well as practical knowledge and experience make up their qualifications. This is the prerequisite for grounding and labeling circuits, devices, and systems in accordance with current standards in safety technology.
- ▶ Qualified personnel are aware of the dangers that exist in their work.
- ▶ Qualified personnel are familiar with appropriate measures against these hazards in order to reduce the risk for themselves and others.
- ▶ Qualified personnel receive training on a regular basis.

## ■ Device casing

Only technicians authorized by the manufacturer are permitted to open the housing.

- Never insert pointed objects (narrow screwdrivers, wires, etc.) into the device or into the connection terminals for electric conductors. Do not touch the connection terminals.
- Keep the ventilation slits free to ensure good air circulation.  
[See “General technical data” on page 35.](#)
- Install the device in the vertical position.
- At ambient temperatures > 140 °F (60 °C):  
The surfaces of the device housing may become hot. Avoid touching the device while it is operating.

## ■ Requirements for connecting electrical wires

Before connecting the electrical wires, **always** verify that the requirements listed are complied with.

### General requirements for connecting electrical wires

The following requirements apply without restrictions:

- ▶ The electrical wires are voltage-free.
- ▶ The cables used are permitted for the temperature range of the application case.
- ▶ Relevant for North America:  
Use 60/75 or 75 °C copper (Cu) wire only.

### Requirements for connecting the signal contact

The following requirements apply without restrictions:

- ▶ The voltage connected complies with the requirements for a safety extra-low voltage (SELV) as per IEC/EN 60950-1.
- ▶ The connected voltage is limited by a current limitation device or a fuse.  
Observe the electrical threshold values for the signal contact.  
[See “General technical data” on page 35.](#)

### Requirements for connecting the supply voltage

The following requirements apply without restrictions:

All of the following requirements are complied with:

- ▶ The supply voltage corresponds to the voltage specified on the type plate of the device.
- ▶ The power supply conforms to overvoltage category I or II.
- ▶ The power supply has an easily accessible disconnecting device (e.g., a switch or a plug). This disconnecting device is clearly identified. So in the case of an emergency, it is clear which disconnecting device belongs to which power supply cable.
- ▶ The power supply cable is suitable for the voltage, the current and the physical load.  
Hirschmann recommends a wire diameter of 0.5 mm<sup>2</sup> to 0.75 mm<sup>2</sup> (AWG20 up to AWG18).

The following requirements apply alternatively:

Relevant when the device is supplied via 1 voltage input:

Alternative 1    The power supply complies with the requirements for a limited power source (LPS) as per EN 60950-1.

Alternative 2    Relevant for North America:  
The power supply complies with the requirements as per NEC Class 2

## Requirements for connecting the supply voltage

- Alternative 3 **All** of the following requirements are complied with:
- ▶ The power supply complies with the requirements for a safety extra-low voltage (SELV) as per IEC/EN 60950-1.
  - ▶ Supply with DC voltage:  
A fuse suitable for DC voltage is located in the plus conductor of the power supply.  
The minus conductor is on ground potential. Otherwise, a fuse is also located in the minus conductor.  
Regarding the properties of this fuse:  
[See "General technical data" on page 35.](#)
  - ▶ Supply with AC voltage:  
A fuse is located in the outer conductor of the power supply.  
The neutral conductor is on ground potential at both voltage inputs.  
Otherwise, a fuse is also located in the neutral conductor.  
Regarding the properties of this fuse:  
["General technical data" on page 35](#)

### ■ National and international safety regulations

Verify that the electrical installation meets locally or nationally applicable safety regulations.

### ■ CE marking

The labeled devices comply with the regulations contained in the following European directive(s):

2011/65/EU (RoHS)

Directive of the European Parliament and of the Council on the restriction of the use of certain hazardous substances in electrical and electronic equipment.

2004/108/EC (EMC)

Directive of the European Parliament and the council for standardizing the regulations of member states with regard to electromagnetic compatibility.

In accordance with the above-named EU directive(s), the EU conformity declaration will be at the disposal of the relevant authorities at the following address:

Hirschmann Automation and Control GmbH  
Stuttgarter Str. 45-51  
72654 Neckartenzlingen  
Tel.: +49 1805 141538

The device can be used in the industrial sector.

- ▶ Interference immunity: EN 61000-6-2
- ▶ Emitted interference: EN 55022

**Warning!** This is a class A device. This device can cause interference in living areas, and in this case the operator may be required to take appropriate measures.

**Note:** The assembly guidelines provided in these instructions must be strictly adhered to in order to observe the EMC threshold values.

■ **LED or laser components**

LED or LASER components according to IEC 60825-1 (2014):  
CLASS 1 LASER PRODUCT  
CLASS 1 LED PRODUCT

■ **FCC note:**

This device complies with part 15 of the FCC rules. Operation is subject to the following two conditions: (1) this device may not cause harmful interference; (2) this device must accept any interference received, including interference that may cause undesired operation.

Appropriate testing has established that this device fulfills the requirements of a class A digital device in line with part 15 of the FCC regulations.

These requirements are designed to provide sufficient protection against interference when the device is being used in a business environment.

The device creates and uses high frequencies and can also radiate these frequencies. If it is not installed and used in accordance with this operating manual, it can cause radio transmission interference. The use of this device in a residential area can also cause interference, and in this case the user is obliged to cover the costs of removing the interference.

■ **Recycling note**

After usage, this device must be disposed of properly as electronic waste, in accordance with the current disposal regulations of your county, state, and country.






# About this Manual

The “Installation” user manual contains a device description, safety instructions, a description of the display, and the other information that you need to install the device.

## Key

The symbols used in this manual have the following meanings:

	Listing
	Work step
	Subheading

# 1 Description

## 1.1 General device description

The SPIDER III PL devices are designed for the special requirements of industrial automation. They meet the relevant industry standards, provide very high operational reliability, even under extreme conditions, and also long-term reliability and flexibility.

The devices allow you to set up switched industrial Ethernet networks that conform to the IEEE 802.3 standard.

You have numerous options of combining the device characteristics. You can determine the possible combinations using the configurator which is available in the Belden E-Catalog ([www.e-catalog.beldensolutions.com](http://www.e-catalog.beldensolutions.com)) on the web page of the device.

## 1.2 Device name and product code

The device name corresponds to the product code. The product code is made up of characteristics with defined positions. The characteristic values stand for specific product properties.

Item	Characteristic	Characteristic value	Description
1 ... 9	Product	SPIDER III PL	SPIDER III Premium Line
10	(hyphen)	–	
11	Data rate	2	10/100 Mbit/s
		4	10/100/1000 Mbit/s
12	Power over Ethernet (PoE)	0	without PoE support
13	(hyphen)	–	
14 ... 17	Number Twisted pair ports	01T1	
		04T1	
		05T1	
		06T1	
		07T1	
		08T1	

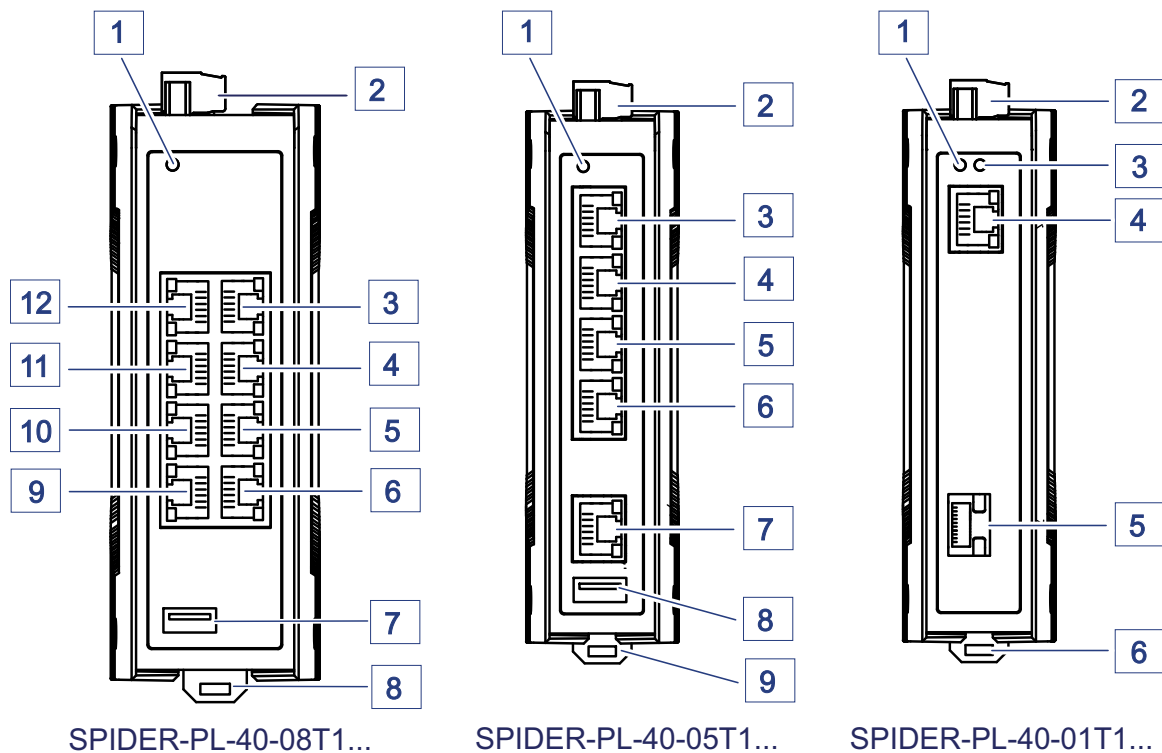
Table 1: Device name and product code

Item	Characteristic	Characteristic value	Description
18 ... 19	Optical fiber port 1	M2	DSC multimode socket for 100 Mbit/s F/O connections
		S2	DSC singlemode socket for 100 Mbit/s F/O connections
		M4	ST multimode socket for 100 Mbit/s F/O connections
		O6	SFP slot for 100/1000 Mbit/s F/O connections
		Z6	SFP slot for 100 Mbit/s F/O connections
		99	without
20 ... 21	Optical fiber port 2	M2	DSC multimode socket for 100 Mbit/s F/O connections
		S2	DSC singlemode socket for 100 Mbit/s F/O connections
		Z6	SFP slot for 100 Mbit/s F/O connections
		99	without
22 ... 23	Optical fiber port 3	Z6	SFP slot for 100 Mbit/s F/O connections
		99	without
24	Temperature range	T	Extended -40 °F ... +158 °F (-40 °C ... +70 °C)
		E	Extended with Conformal Coating -40 °F ... +158 °F (-40 °C ... +70 °C)
25	Certificates and declarations	Z9	CE, FCC, EN61131
		Y9	Z9 + cUL61010
		WV	WU + EN50121-4 + E1
		WW	WU + IEC61850, IEEE1613 + EN50121-4
27 ... 28	Customer-specific version	HH	Hirschmann standard
		HK	Voltage terminal with spring
29 ... 30	Configuration	HH	Hirschmann standard
		HV	Extended voltage range (48 V DC, 24 V AC)

*Table 1: Device name and product code*

## 1.3 Device view

### 1.3.1 Front view



Front view using example of device variants SPIDER III PL-40...

#### **SPIDER III PL-40-08T1...**

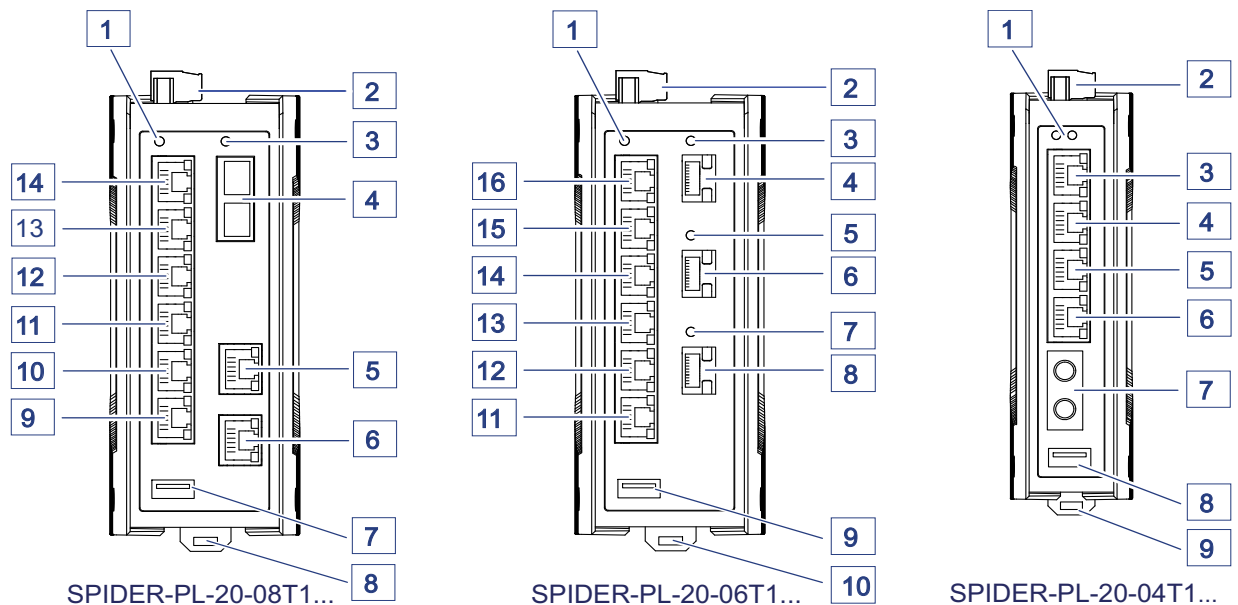
- |          |   |
|----------|---|
| 1        | LED display elements for device status                              |
| 2        | 6-pin, pluggable terminal block for power supply and signal contact |
| 3 ... 6  | 4 × RJ45 socket for 10/100/1000 Mbit/s Twisted Pair connections     |
| 7        | USB interface   |
| 8        | Rail lock gate for DIN rail mounting                                |
| 9 ... 12 | 4 × RJ45 socket for 10/100/1000 Mbit/s Twisted Pair connections     |

#### **SPIDER III PL-40-05T1...**

- |         |   |
|---------|---|
| 1       | LED display elements for device status                              |
| 2       | 6-pin, pluggable terminal block for power supply and signal contact |
| 3 ... 7 | 5 × RJ45 socket for 10/100/1000 Mbit/s Twisted Pair connections     |
| 8       | USB interface   |
| 9       | Rail lock gate for DIN rail mounting                                |

#### **SPIDER III PL-40-01T1...**

- |   |   |
|---|---|
| 1 | LED display elements for device status                              |
| 2 | 6-pin, pluggable terminal block for power supply and signal contact |
| 3 | LED display elements for port status                                |
| 4 | RJ45 socket for 10/100/1000 Mbit/s Twisted Pair connections         |
| 5 | SFP slot for 100/1000 Mbit/s F/O connections                        |
| 6 | Rail lock gate for DIN rail mounting                                |



Front view using example of device variants SPIDER III PL-20...

**SPIDER III PL-20-08T1...**

(depending on the device variant)

- |          |   |
|----------|---|
| 1        | LED display elements for device status  |
| 2        | 6-pin, pluggable terminal block for power supply and signal contact   |
| 3        | LED display elements for port status  |
| 4        | depending on device variant <ul style="list-style-type: none"> <li>▶ DSC multimode socket for 100 Mbit/s F/O connections</li> <li>▶ DSC singlemode socket for 100 Mbit/s F/O connections</li> </ul> |
| 5 ... 6  | 2 × RJ45 socket for 10/100 Mbit/s twisted pair connections  |
| 7        | USB interface   |
| 8        | Rail lock gate for DIN rail mounting  |
| 9 ... 14 | 6 × RJ45 socket for 10/100 Mbit/s twisted pair connections  |

**SPIDER III PL-20-06T1...**

- |           |   |
|-----------|---|
| 1         | LED display elements for device status                              |
| 2         | 6-pin, pluggable terminal block for power supply and signal contact |
| 3, 5, 7   | LED display elements for port status                                |
| 4, 6, 8   | SFP slot for 100 Mbit/s F/O connections                             |
| 9         | USB interface   |
| 10        | Rail lock gate for DIN rail mounting                                |
| 11 ... 16 | 6 × RJ45 socket for 10/100 Mbit/s twisted pair connections          |

**SPIDER III PL-20-04T1...**

- |         |   |
|---------|---|
| 1       | LED display elements for device status  |
| 2       | 6-pin, pluggable terminal block for power supply and signal contact   |
| 3 ... 6 | 4 × RJ45 socket for 10/100 Mbit/s twisted pair connections  |
| 7       | depending on device variant <ul style="list-style-type: none"> <li>▶ ST multimode socket for 100 Mbit/s F/O connections</li> <li>▶ DSC multimode socket for 100 Mbit/s F/O connections</li> <li>▶ DSC singlemode socket for 100 Mbit/s F/O connections</li> </ul> |
| 8       | USB interface   |
| 9       | Rail lock gate for DIN rail mounting  |

## 1.4 Power supply

You have the following options to supply your device with voltage:

### ■ Power supply via a 6-pin terminal block

A 6-pin terminal block is available for the power supply to the device.

You will find more information here:

[See “Installing terminal blocks, switching on the supply voltage” on page 25.](#)

## 1.5 Ethernet ports

You can connect end devices and other segments to the device ports using twisted pair cables or optical fibers (F/O).

You find information on pin assignments for making patch cables here:

[“Pin assignments” on page 15](#)

### ■ 10/100/1000 Mbit/s twisted pair port

This port is an RJ45 socket.

The 10/100/1000 Mbit/s twisted pair port offers you the ability to connect network components according to the IEEE 802.3 10BASE-T/100BASE-TX/1000BASE-T standard.

This port supports:

- ▶ Autonegotiation
- ▶ Autopolarity
- ▶ Autocrossing (if autonegotiation is activated)
- ▶ 1000 Mbit/s half duplex, 1000 Mbit/s full duplex
- ▶ 100 Mbit/s half-duplex mode, 100 Mbit/s full duplex mode
- ▶ 10 Mbit/s half-duplex mode, 10 Mbit/s full duplex mode

### ■ 10/100 Mbit/s twisted pair port

This port is an RJ45 socket.

The 10/100 Mbit/s twisted pair port offers you the ability to connect network components according to the IEEE 802.3 10BASE-T/100BASE-TX standard.

This port supports:

- ▶ Autonegotiation
- ▶ Autopolarity
- ▶ Autocrossing (if autonegotiation is activated)
- ▶ 100 Mbit/s half-duplex mode, 100 Mbit/s full duplex mode
- ▶ 10 Mbit/s half-duplex mode, 10 Mbit/s full duplex mode

### ■ 100/1000 Mbit/s F/O port

This port is an SFP slot.

The 100/1000 Mbit/s F/O port offers you the ability to connect network components according to the IEEE 802.3 100BASE-FX/1000BASE-SX/1000BASE-LX standard.

This port supports:

- ▶ 1000 Mbit/s full duplex when using a Gigabit Ethernet SFP transceiver
- ▶ 100 Mbit/s half duplex, 100 Mbit/s full duplex when using a Fast Ethernet SFP transceiver

### ■ 100 Mbit/s F/O port

The 100 Mbit/s F/O port offers you the ability to connect network components according to the IEEE 802.3 100BASE-FX standard.

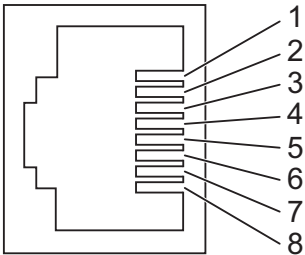
This port supports:

- ▶ 100 Mbit/s half-duplex mode, 100 Mbit/s full duplex mode

State on delivery:

- ▶ 100 Mbit/s, full duplex

## 1.5.1 Pin assignments

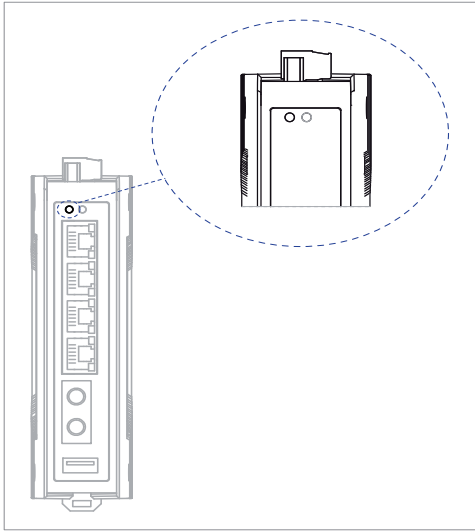
RJ45	Pin	10/100 Mbit/s	1000 Mbit/s
	<b>MDI mode</b>		
	1	TX+	BI_DA+
	2	TX-	BI_DA-
	3	RX+	BI_DB+
	4	—	BI_DC+
	5	—	BI_DC-
	6	RX-	BI_DB-
	7	—	BI_DD+
	8	—	BI_DD-
	<b>MDI-X mode</b>		
	1	RX+	BI_DB+
	2	RX-	BI_DB-
	3	TX+	BI_DA+
	4	—	BI_DD+
	5	—	BI_DD-
	6	TX-	BI_DA-
7	—	BI_DC+	
8	—	BI_DC-	

## 1.6 Display elements

After the supply voltage is switched on, the device performs a self-test. During this process, various LEDs light up.

### 1.6.1 Device state

These LEDs provide information about conditions which affect the operation of the whole device.

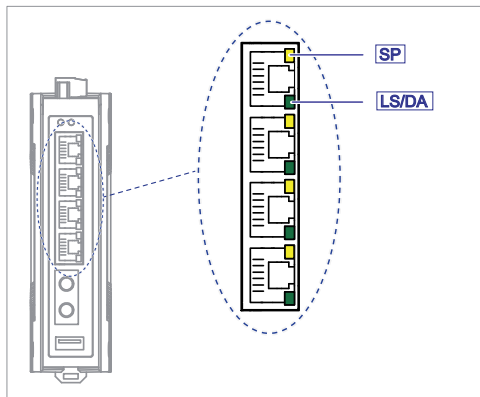


LED	Display	Color	Activity	Meaning
Power	Supply voltage	—	None	Supply voltage is too low
		Yellow	Lights up	Device variants with redundant power supply: Supply voltage 1 <b>or</b> 2 is on
		Green	Lights up	Device variants with redundant power supply: Supply voltages 1 <b>and</b> 2 are on



## 1.6.2 Port state

These LEDs display port-related information.



SP (data rate)	Color	Activity	Meaning
	—	None	Device detects an invalid or missing link
	Yellow	Flashes 1 time a period	10 Mbit/s connection
	Yellow	Flashing 2 times a period	100 Mbit/s connection
	Yellow	Flashes 3 times a period	1000 Mbit/s connection
LS/DA (link status/data)	Color	Activity	Meaning
	—	None	Device detects an invalid or missing link
	Green	Lights up	Device detects a valid link
	Green	flashing	Device is transmitting and/or receiving data
	yellow/gre en	Flashing alternately	Update of the configuration via the USB interface

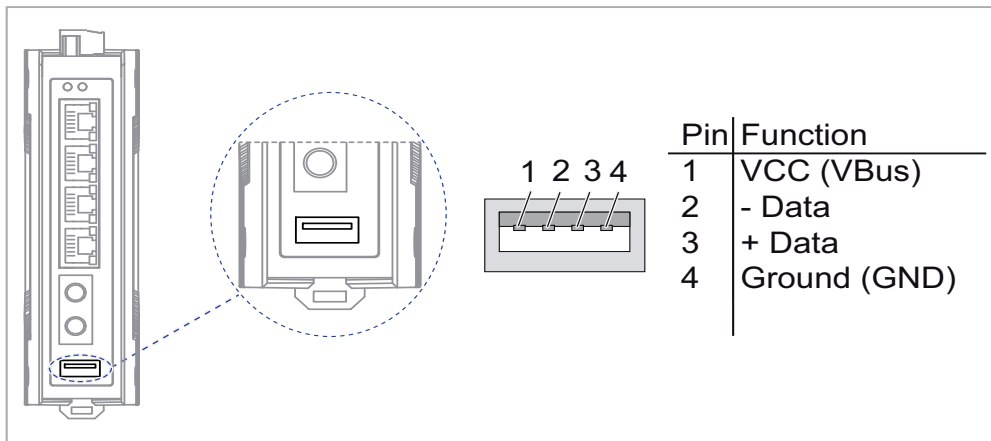
## 2 Configuration interface

### 2.1 USB interface

The USB interface allows you to connect the a storage medium. This is for transferring configuration data.

The USB interface has the following properties:

- ▶ Connectors: type A
- ▶ Supports the USB master mode
- ▶ Supports USB 2.0
- ▶ Supplies current of max. 500 mA
- ▶ Voltage not potential-separated

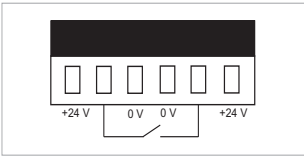


### 3 Signal contact

The potential-free signal contact (relay contact, closed circuit) reports through a break in contact:

- ▶ The failure of at least one supply voltage.
- ▶ The device is not operational.
- ▶ Connection failure to at least one port.

The link state can be masked for each port using the configuration. In the state of delivery, link monitoring is inactive.

Figure	Pin	Function
	1	+ 24 V DC
	2	FAULT
	3	0 V
	4	0 V
	5	FAULT
	6	+ 24 V DC

## 4 Installation

The devices have been developed for practical application in a harsh industrial environment.

On delivery, the device is ready for operation.

Perform the following steps to install and configure the device:

- ▶ [Checking the package contents](#)
- ▶ [Mounting the device](#)
- ▶ [Installing an SFP transceiver \(optional\)](#)
- ▶ [Connecting the terminal block](#)
- ▶ [Operating the device](#)
- ▶ [Connecting data cables](#)
- ▶ [Configuration \(optional\)](#)

### 4.1 Checking the package contents

Proceed as follows:

- Check whether the package includes all items named in the section [“Scope of delivery” on page 43](#).
- Check the individual parts for transport damage.

### 4.2 Mounting the device

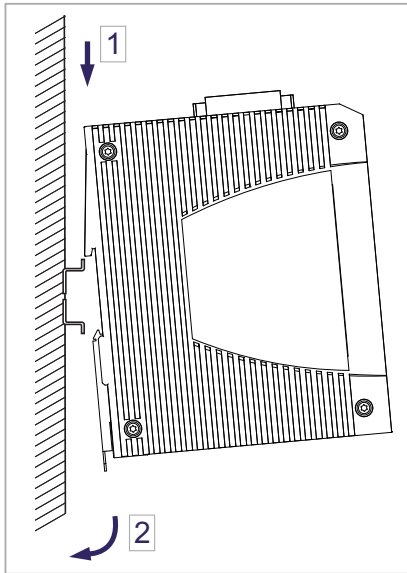
You have the following options for mounting your device:

- ▶ [Installing the device onto the DIN rail](#)
- ▶ [Mounting on a flat surface](#)

#### 4.2.1 Installing the device onto the DIN rail

Prerequisite:

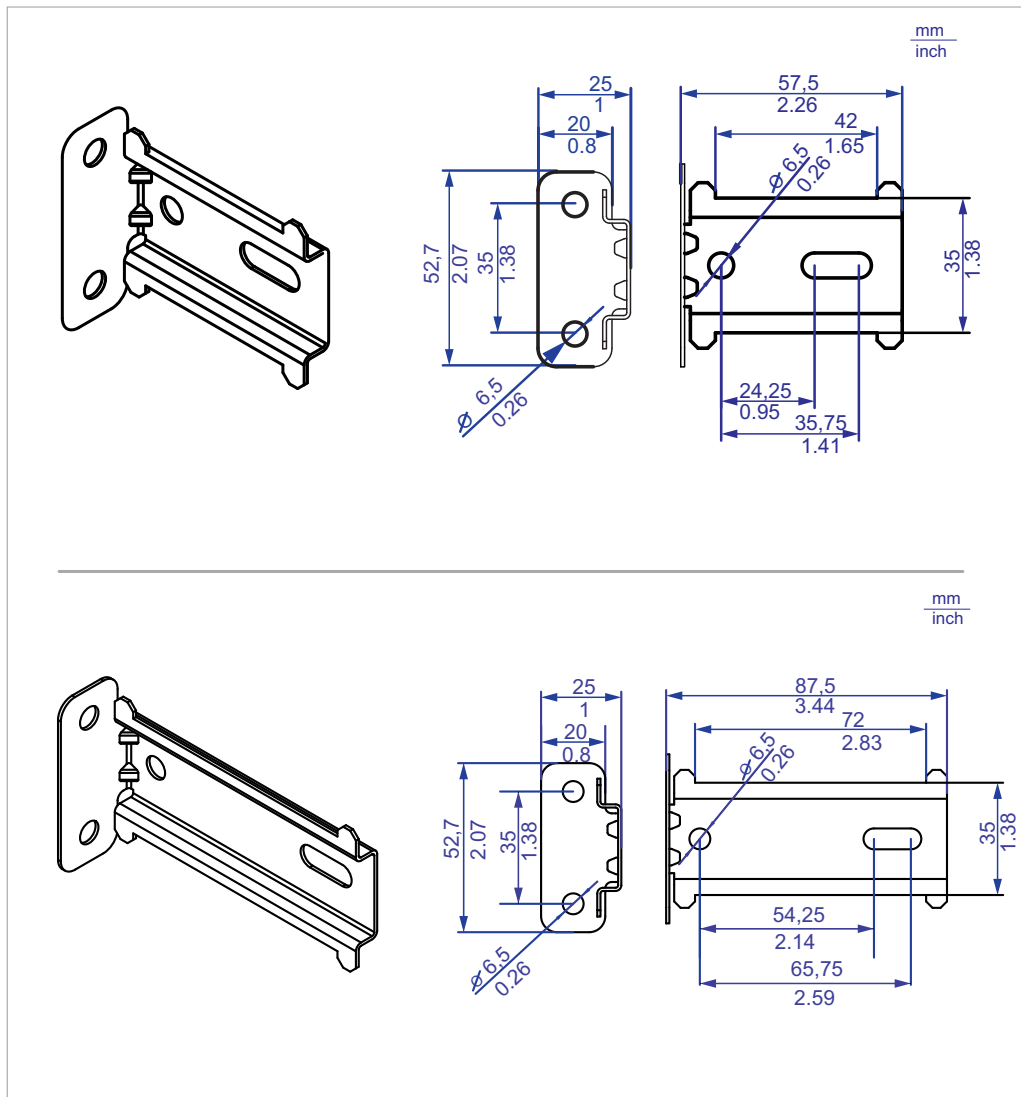
The device is for mounting on a 35 mm DIN rail in accordance with DIN EN 60715.



Proceed as follows:

- Slide the upper snap-in guide of the device into the DIN rail.
- Use a screwdriver to pull the rail lock gate downwards.
- Snap in the device by releasing the rail lock slide.

## 4.2.2 Mounting on a flat surface



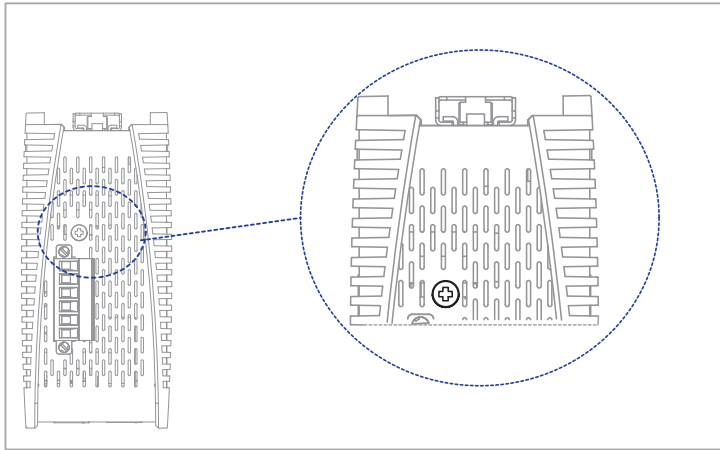
Proceed as follows:

- Attach the wall mounting plate to a flat surface of the wall using screws. You will find the dimensions necessary for mounting the device in the illustration.
- Mount the device on the wall mounting plate. Insert the upper snap-in guide of the device into the rail and press it down against the rail until it snaps into place.
- ▶ Two models of wall mounting plates are available. See [“Accessories”](#) on page 44.

## 4.3 Grounding the device

Prerequisite:

- ▶ Use a wire diameter for the ground conductor that is no smaller than the diameter of the supply voltage connection, however of at least 0.5 mm<sup>2</sup> (AWG20).



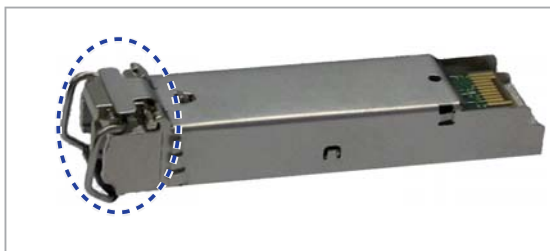
Proceed as follows:

- Ground the device via the ground screw.  
The grounding screw is located on the topside as shown in the illustration.

## 4.4 Installing an SFP transceiver (optional)

Prerequisite:

- ▶ Use only Hirschmann SFP transceivers which are suitable for usage with the device.  
[See “Accessories” on page 44.](#)



Proceed as follows:

- Remove the protection cap from the SFP transceiver.
- Push the transceiver with the lock closed into the slot until it latches in.

## 4.5 Connecting the terminal block

The supply voltage can be connected redundantly. Both inputs are uncoupled. There is no distributed load. With redundant supply, the power supply unit with the higher output voltage supplies the device on its own. The supply voltage is electrically isolated from the housing.

### **WARNING**

#### **ELECTRIC SHOCK**

Connect only a supply voltage that corresponds to the type plate of your device.

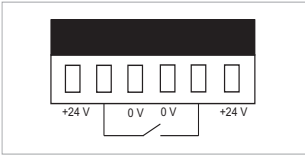
Never insert sharp objects (small screwdrivers, wires, etc.) into the connection terminals for electric conductors, and do not touch the terminals. Observe the maximum values for the contact load of the signal contact.

**Failure to follow these instructions can result in death, serious injury, or equipment damage.**

For the supply voltage to be connected, perform the following steps:

- Remove the power connector from the device.
- Connect the wires according to the pin assignment on the device with the clamps.

**Note:** With a non-redundant supply of the supply voltage, the device reports the loss of a supply voltage. You can prevent this message by applying the supply voltage via both inputs, or by changing the configuration.

Figure	Pin	Function
	1	+ 24 V DC
	2	FAULT
	3	0 V
	4	0 V
	5	FAULT
	6	+ 24 V DC



## 4.6 Operating the device

Perform the following steps to start up the device:

- ▶ [Installing terminal blocks, switching on the supply voltage](#)
- ▶ [Connecting data cables](#)

### 4.6.1 Installing terminal blocks, switching on the supply voltage

- By connecting the supply voltage via the terminal block, you start the operation of the device.

### 4.6.2 Connecting data cables

Note the following general recommendations for data cable connections in environments with high electrical interference levels:

- ▶ Keep the length of the data cables as short as possible.
- ▶ Use optical data cables for the data transmission between the buildings.
- ▶ When using copper cables, provide a sufficient separation between the power supply cables and the data cables. Ideally, install the cables in separate cable channels.
- ▶ Verify that power supply cables and data cables do not run parallel over longer distances, and that ideally they are installed in separate cable channels. If reducing the inductive coupling is necessary, verify that the power supply cables and data cables cross at a 90° angle.
- ▶ Use shielded cables (SF/UTP cables as per ISO/IEC 11801:2002).
- Connect the data cables according to your requirements.

## 5 Configuration (optional)

With its default settings, the device is ready for operation ex works.  
You have the option to change the settings according to your requirements using the USB interface.

You will find the configuration parameters in a separate overview.

[See table 2 on page 28.](#)

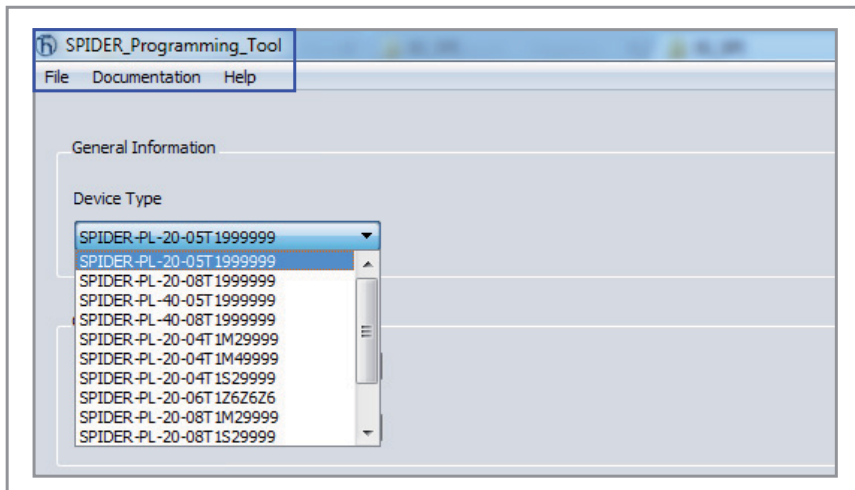
Prerequisite:

Install the **Switch Programming Tool** on your computer. You can download the software for free on the internet from the Hirschmann product pages:

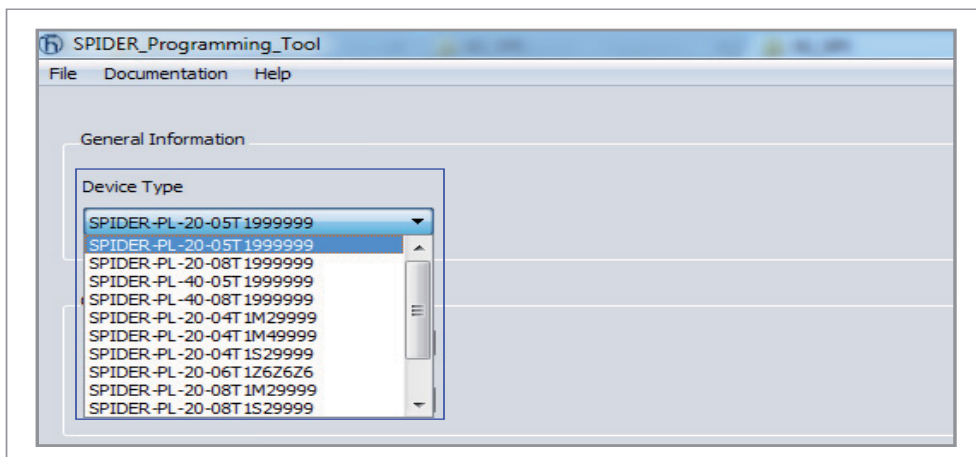
[www.hirschmann.com/en/QR/SPIDER-PL-Downloads](http://www.hirschmann.com/en/QR/SPIDER-PL-Downloads) .

Proceed as follows:

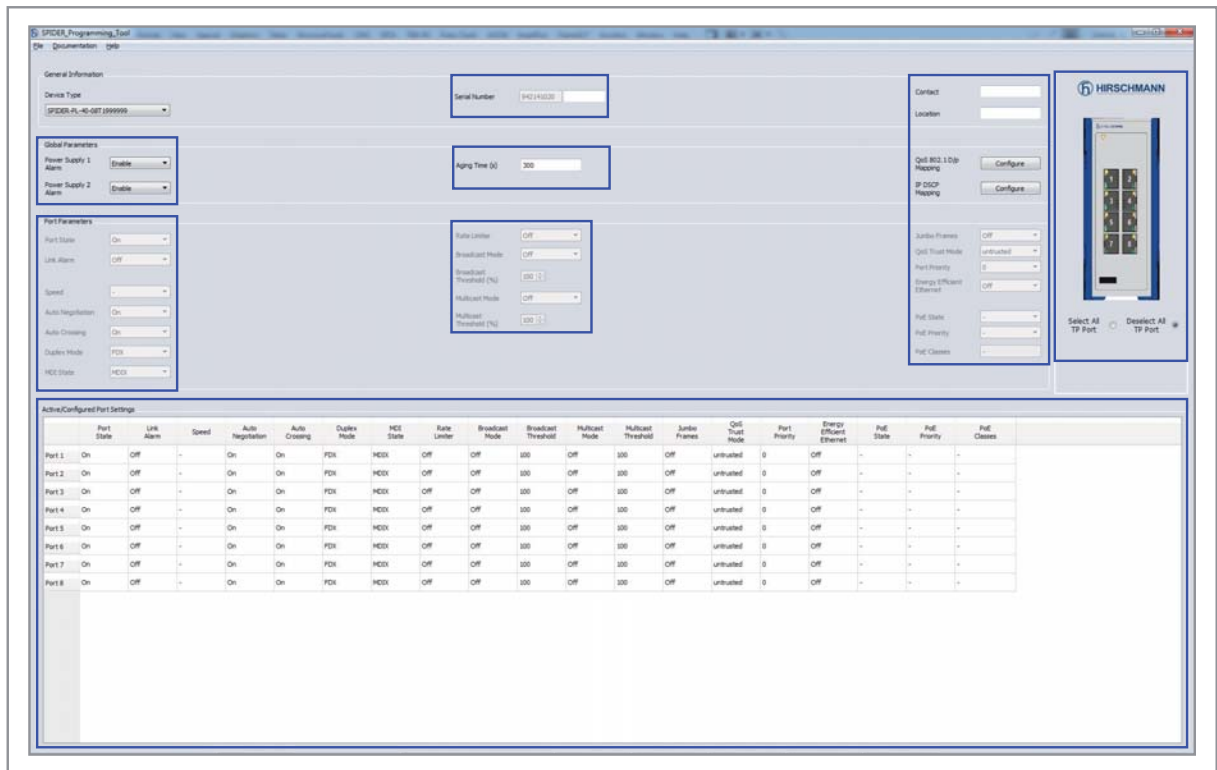
- Connect a storage medium to your PC.
- Start the Switch Programming Tool.



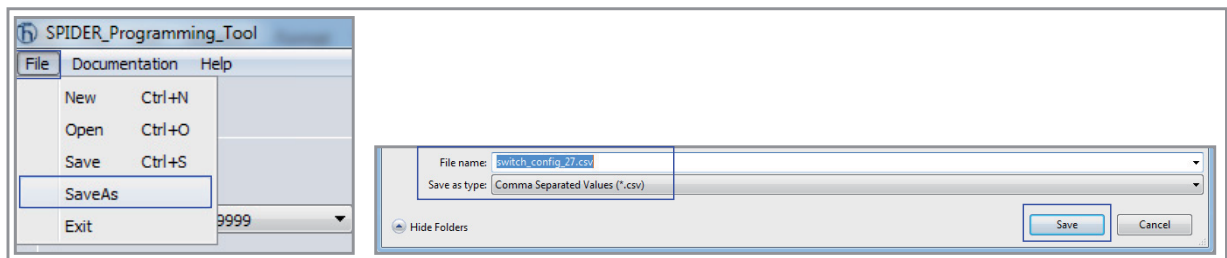
- Select your device variant from the drop-down list “Device Type”.



- Modify the parameters in the highlighted areas according to your requirements.



- Save the configuration file to the storage medium.



- Disconnect the storage medium from your PC.
- ▶ You have changed the settings according to your requirements. Transfer the configuration data to your device by following these steps:
  - Make sure the device is switched off.
  - Connect the storage medium to the device.
  - Switch on the device.
  - ▶ The SPIDER device reads the csv file on the storage medium and adopts the settings. During this time, the LED “LS/DA” flashes alternately in **yellow/green**.

	Parameter	Values	Default values	Comment	
global	PSU alarm	PSU 1/2 enabled / disabled	PSU 1 / 2 enabled		
	Aging time	Aging time in s	300 s		
	QoS 802.1p mapping	VLAN Priority 0 ... 7 Traffic Class 0 ... 3	VLAN Priority	Traffic Class	
			0	1	
			1	0	
			2	0	
			3	1	
			4	2	
			5	2	
			6	3	
7	3				
QoS DSCP mapping	DSCP value 0 ... 63 Traffic Class 0 ... 3	See table 3.			
per port	Flow control	enabled / disabled	disabled		
	Port admin state	enabled / disabled	enabled		
	Jumbo frames	enabled / disabled	disabled	Only on GE ports	
	Broadcast storm protection	enabled / disabled	disabled	Ingress filtering	
	Broadcast storm threshold	0% ... 100%	100%		
	Multicast storm protection	enabled / disabled	disabled	Ingress filtering	
	Multicast storm threshold	0% ... 100%	100%		
	QoS Trust Mode	untrusted, trustDot1p, trustIpDscp	trustDot1	This also includes VLAN 0 mode for Profinet applications.	
	Port based priority	0 .. 7	0		
Link alarm	enabled / disabled	disabled			

Table 2: Configuration parameters

per TP port	Autonegotiation	enabled / disabled	enabled	
	Speed	100 Mbit/s, 10 Mbit/s	100 Mbit/s	Only if autonegotiation is disabled, no forced mode 1000 Mbit/s
	Duplex mode	FDX / HDX	FDX	Only if autonegotiation is disabled
	Autocrossing	enabled / disabled	enabled	Only if autonegotiation is disabled
	MDI state	MDI-X	MDI-X	Only if autonegotiation is disabled
	EEE	enabled / disabled	disabled	Only for GE ports
per Fiber port	Duplex mode	FDX / HDX	FDX	

*Table 2: Configuration parameters*

<b>d2/d1</b>	<b>0</b>	<b>1</b>	<b>2</b>	<b>3</b>	<b>4</b>	<b>5</b>	<b>6</b>
0:	1	0	0	1	2	3	3
1:	1	0	0	1	2	3	3
2:	1	0	0	2	2	3	3
3:	1	0	0	2	2	3	3
4:	1	0	1	2	2	3	
5:	1	0	1	2	2	3	
6:	1	0	1	2	2	3	
7:	1	0	1	2	2	3	
8:	0	0	1	2	3	3	
9:	0	0	1	2	3	3	

*Table 3: DSCP mapping table*

## 5.1 Configuration readout

You have the option to read out the configuration using a storage medium. Proceed as follows:

- Create a text file in the root directory of the storage medium.
  - Rename the text file to “**ShowRunningConfiguration.txt**”.
  - Connect the storage medium to the device.
  - Restart the device by disconnecting the power supply for a moment.
- 
- ▶ When the text file “**ShowRunningConfiguration.txt**” in the root directory of the device is found, the device creates a file with the current configuration.
  - ▶ You will find this file in the root directory of the storage medium under the name “**RunningConfig.txt**”.

## **6 Monitoring the ambient air temperature**

Operate the device below the specified maximum ambient air temperature exclusively.

See [“General technical data” on page 35](#).

The ambient air temperature is the temperature of the air at a distance of 2 in (5 cm) from the device. It depends on the installation conditions of the device, e.g. the distance from other devices or other objects, and the output of neighboring devices.

## 7 Maintenance and service

- ▶ When designing this device, Hirschmann largely avoided using high-wear parts. The parts subject to wear and tear are dimensioned to last longer than the lifetime of the product when it is operated normally. Operate this device according to the specifications.
- ▶ Relays are subject to natural wear. This wear depends on the frequency of the switching operations. Check the resistance of the closed relay contacts and the switching function depending on the frequency of the switching operations.
- ▶ Depending on the degree of pollution in the operating environment, check at regular intervals that the ventilation slots in the device are not obstructed.

**Note:** You will find information about the complaints and returns procedures on the Internet under

<http://www.beldensolutions.com/en/Service/Repairs/index.phtml> .



## 8 Disassembly

### 8.1 Removing an SFP transceiver (optional)



Proceed as follows:

- Pull the SFP transceiver out of the slot by means of the opened lock.
- Close the SFP transceiver with the protective cap.

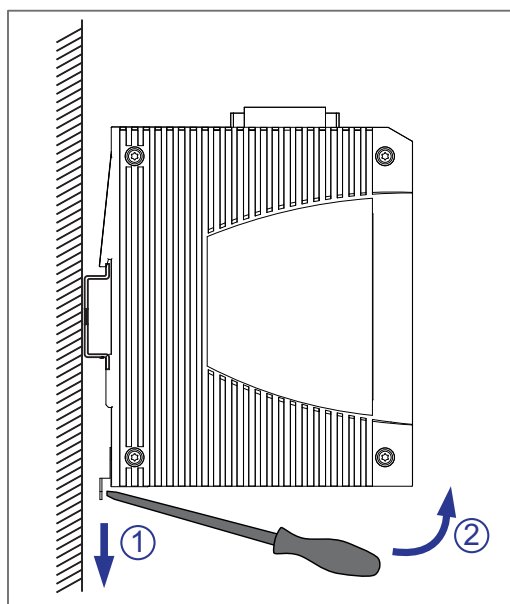
## 8.2 Removing the device

### **WARNING**

#### **ELECTRIC SHOCK**

Disconnect the grounding only after disconnecting all other cables.

**Failure to follow these instructions can result in death, serious injury, or equipment damage.**



Proceed as follows:

- Disconnect the data cables.
- Disable the supply voltage.
- Disconnect the terminal blocks.
- Disconnect the grounding.
- Insert a screwdriver horizontally below the housing into the locking gate.
- Without tilting the screwdriver, pull the locking gate down and tilt the device upwards.

# 9 Technical data

## ■ General technical data

Dimensions W × H × D	SPIDER III PL-20...	<a href="#">See "Dimension drawings" on page 36.</a>
	SPIDER III PL-40...	
Power supply	Rated voltage range DC	9.6 V DC ... 32 V DC 9.6 V DC ... 60 V DC
	Rated voltage range AC	18 V AC ... 30 V AC
	Connection type	6-pin terminal block for the supply voltage
	Power loss buffer	> 10 ms
"FAULT" signal contact	Switching current	max. 1 A, SELV
	Switching voltage	max. 60 V DC or max. 30 V AC, SELV
Climatic conditions during operation	Ambient temperature	-40 °F ... +158 °F (-40 °C ... +70 °C)
	Humidity	10 % ... 95 %
	Air pressure	minimum 700 hPa (+9842 ft; +3000 m)
Climatic conditions during storage	Ambient temperature	-40 °F ... +185 °F (-40 °C ... +85 °C)
	Humidity	10 % ... 95 % (non-condensing)
	Air pressure	minimum 700 hPa (+9842 ft; +3000 m)
Pollution degree		2
Protection classes	Laser protection	Class 1 in compliance with IEC 60825-1
	Degree of protection	IP 40

## ■ Dimension drawings

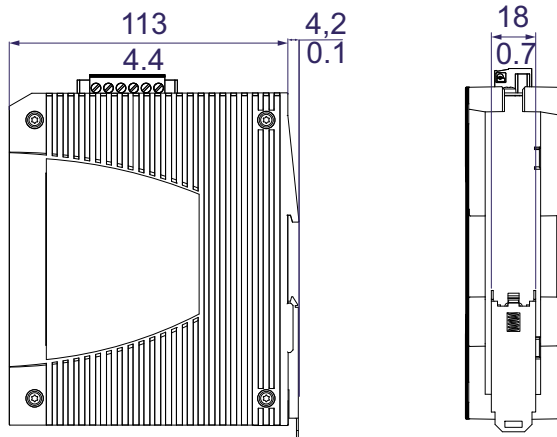
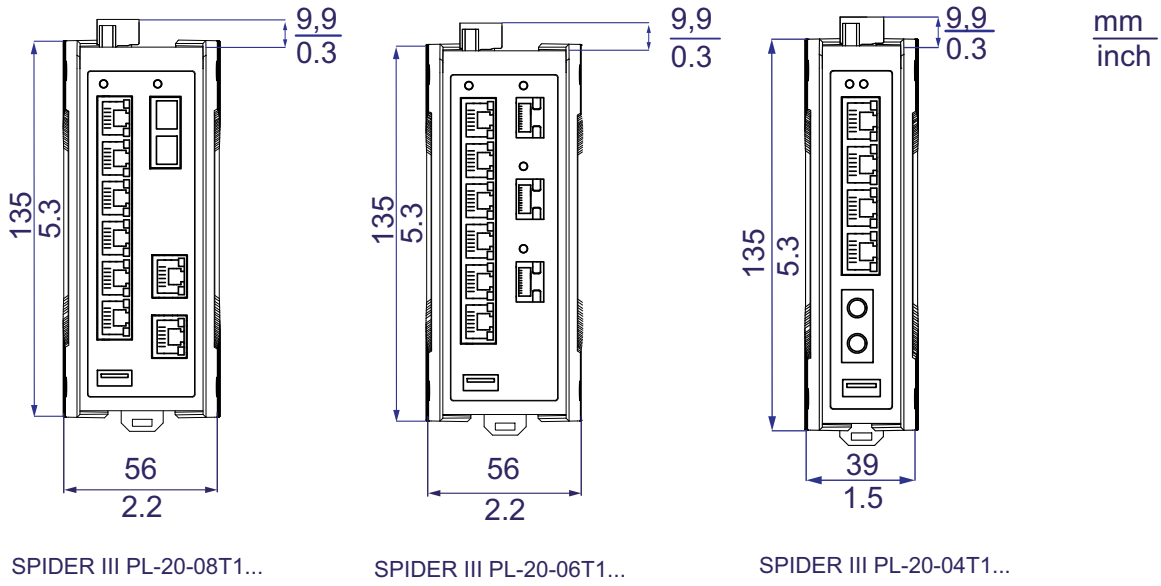


Figure 1: Dimensions of device variants SPIDER III PL-20...

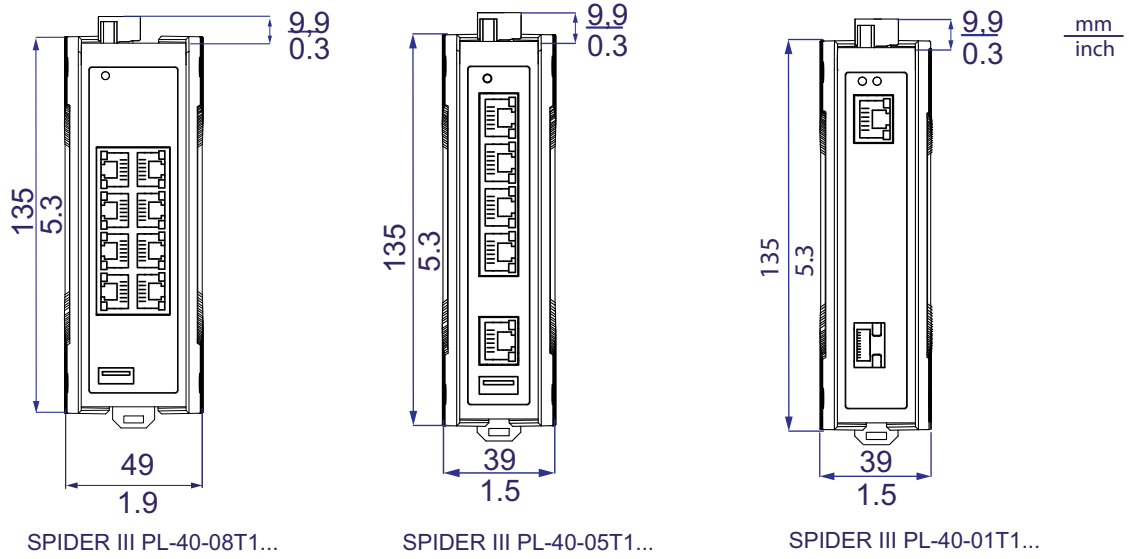


Figure 2: Dimensions of device variants SPIDER III PL-40...

## ■ EMC

EMC interference emission		Standard applications <sup>a</sup>	Merchant Navy <sup>b</sup>	Railway applications (trackside) <sup>c</sup>	Sub-station applications <sup>d</sup>
<b>Radiated emission</b>					
EN 55022		Class A	Class A	Class A	Class A
GL Guidelines		—	EMC 1	—	—
FCC 47 CFR Part 15		Class A	Class A	Class A	Class A
EN 61000-6-4		Fulfilled	Fulfilled	Fulfilled	Fulfilled
<b>Conducted emission</b>					
EN 55022	Supply connection	Class A	Class A	Class A	Class A
GL Guidelines	Supply connection	—	EMC 1	—	—
FCC 47 CFR Part 15	Supply connection	Class A	Class A	Class A	Class A
EN 61000-6-4	Supply connection	Fulfilled	Fulfilled	Fulfilled	Fulfilled
EN 55022	Telecommunication connections	Class A	Class A	Class A	Class A
EN 61000-6-4	Telecommunication connections	Fulfilled	Fulfilled	Fulfilled	Fulfilled

a. EN 61131-2, CE, FCC – applies to all devices

b. Merchant Navy – applies to devices with the approval codes WU, U9, UY, UX, UT, VU

c. EN 50121-4 – applies to devices with the approval codes UT, T9, TY, VT, R9, RT, RY

d. EN 61850-3, IEEE 1613 – applies to devices with the approval codes V9, VY, VU, VT, R9

EMC interference immunity		Standard applications <sup>a</sup>	Marine applications <sup>b</sup>	Railway applications (trackside) <sup>c</sup>	Sub-station applications <sup>d</sup>
<b>Electrostatic discharge</b>					
EN 61000-4-2	Contact discharge	± 4 kV	± 6 kV	± 6 kV	± 8 kV
IEEE C37.90.3					
EN 61000-4-2	Air discharge	± 8 kV	± 8 kV	± 8 kV	± 15 kV
IEEE C37.90.3					

<b>EMC interference immunity</b>		<b>Standard applications<sup>a</sup></b>	<b>Marine applications<sup>b</sup></b>	<b>Railway applications (trackside)<sup>c</sup></b>	<b>Sub-station applications<sup>d</sup></b>
<b>Electromagnetic field</b>					
EN 61000-4-3		10 V/m	10 V/m	20 V/m	10 V/m
IEEE 1613		—	—	—	35 V/m
<b>Fast transients (burst)</b>					
EN 61000-4-4	Supply connection	± 2 kV	± 2 kV	± 2 kV	± 4 kV
IEEE C37.90.1					
EN 61000-4-4	Data line	± 4 kV	± 4 kV	± 2 kV	± 4 kV
IEEE C37.90.1					
<b>Voltage surges - DC supply connection</b>					
EN 61000-4-5	line/ground	± 2 kV	± 2 kV	± 2 kV	± 2 kV
IEEE 1613	line/ground	—	—	—	± 5 kV
EN 61000-4-5	line/line	± 1 kV	± 1 kV	± 1 kV	± 1 kV
<b>Voltage surges - data line</b>					
EN 61000-4-5	line/ground	± 1 kV	± 1 kV	± 2 kV	± 2 kV
<b>Conducted disturbances</b>					
EN 61000-4-6	150 kHz ... 80 MHz	10 V	10 V	10 V	10 V
<b>Damped vibration – DC supply connection</b>					
EN 61000-4-12	line/ground	—	—	—	2.5 kV
IEEE C37.90.1					
EN 61000-4-12	line/line	—	—	—	1 kV
IEEE C37.90.1					
<b>Damped oscillation - data line</b>					
EN 61000-4-12	line/ground	—	—	—	2.5 kV
IEEE C37.90.1					
EN 61000-4-12	line/line	—	—	—	± 1 kV
<b>Pulse magnetic fields</b>					
EN 61000-4-9		—	—	300 A/m	—

Stability		Standard applications <sup>a</sup>	Marine applications <sup>b</sup>	Railway applications (trackside) <sup>c</sup>	Sub-station applications <sup>d</sup>
IEC 60068-2-6, test Fc	Vibration	5 Hz ... 8.4 Hz with 0.14 in. (3.5 mm) amplitude	2 Hz ... 13.2 Hz with 0.04 in. (1 mm) amplitude	—	2 Hz ... 9 Hz with 0.12 in. (3 mm) amplitude
		8.4 Hz ... 150 Hz with 1 g	13.2 Hz ... 200 Hz with 0.7 g	—	9 Hz ... 200 Hz with 1 g
		—	—	—	200 Hz ... 500 Hz with 1.5 g
IEC 60068-2-27, test Ea	Shock	15 g at 11 ms	—	—	10 g at 11 ms



## ■ Network range

**Note:** The line lengths specified for the transceivers apply for the respective fiber data (fiber attenuation and BLP/dispersion).

Product code M-SFP-...	Wave length	Fiber	System attenuation	Example for F/O line length <sup>a</sup>	Fiber attenuation	BLP <sup>b</sup> /dispersion
-SX/LC...	MM 850 nm	50/125 µm	0-7.5 dB	0-550 m	3.0 dB/km	400 MHz×km
-SX/LC...	MM 850 nm	62.5/125 µm	0-7.5 dB	0-275 m	3,2 dB/km	200 MHz×km
-MX/LC EEC	MM 1310 nm	50/125 µm	0-12 dB	0-1.5 km	1.0 dB/km	800 MHz×km
-MX/LC EEC	MM 1310 nm	62.5/125 µm	0-12 dB	0-500 m	1.0 dB/km	500 MHz×km
-LX/LC...	MM 1310 nm <sup>c</sup>	50/125 µm	0-10,5 dB	0-550 m	1.0 dB/km	800 MHz×km
-LX/LC...	MM 1310 nm <sup>c</sup>	62.5/125 µm	0-10.5 dB	0-550 m	1.0 dB/km	500 MHz×km
-LX/LC...	SM 1310 nm	9/125 µm	0-10.5 dB	0-20 km <sup>d</sup>	0.4 dB/km	3.5 ps/(nm×km)
-LX+/LC...	SM 1310 nm	9/125 µm	5-20 dB	14-42 km	0.4 dB/km	3.5 ps/(nm×km)
-LH/LC...	LH 1550 nm	9/125 µm	5-22 dB	23-80 km	0,25 dB/km	19 ps/(nm×km)
-LH+/LC	LH 1550 nm	9/125 µm	15-30 dB	71-108 km	0.25 dB/km	19 ps/(nm×km)
-LH+/LC	LH 1550 nm	9/125 µm	15-30 dB	71-128 km	0.21 dB/km (typically)	19 ps/(nm×km)

*Table 4: Fiber port 1000BASE-FX (SFP fiber optic Gigabit Ethernet Transceiver)*

- including 3 dB system reserve when compliance with the fiber data is observed
- Using the bandwidth length product is inappropriate for expansion calculations.
- With F/O adapter compliant with IEEE 802.3-2002 clause 38 (single-mode fiber offset-launch mode conditioning patch cord)
- including 2.5 dB system reserve when compliance with the fiber data is observed

Product code M-SFP- BIDI...	Wave length TX	Wave length RX	Fiber	System attenuation	Example for F/O line length <sup>a</sup>	Fiber attenuation	Dispersion
Type A LX/LC EEC	SM 1310 nm	1550 nm	9/125 µm	0-11 dB	0-20 km	0.4 dB/km	3.5 ps/(nm×km)
Type B LX/LC EEC	SM 1550 nm	1310 nm	9/125 µm	0-11 dB	0-20 km	0.25 dB/km	19 ps/(nm×km)
Type A LH/LC EEC	LH 1490 nm	1590 nm	9/125 µm	5-24 dB	23-80 km	0.25 dB/km	19 ps/(nm×km)
Type B LH/LC EEC	LH 1590 nm	1490 nm	9/125 µm	5-24 dB	23-80 km	0.25 dB/km	19 ps/(nm×km)

*Table 5: F/O port (bidirectional Gigabit Ethernet SFP Transceiver)*

- including 3 dB system reserve when compliance with the fiber data is observed

Product code M-FAST-SFP-...	Wave length	Fiber	System attenuation	Example for F/O line length <sup>a</sup>	Fiber attenuation	BLP/dispersion
-MM/LC...	MM	1310 nm	50/125 μm	0-8 dB	0-5 km	1.0 dB/km 800 MHz×km
-MM/LC...	MM	1310 nm	62.5/125 μm	0-11 dB	0-4 km	1.0 dB/km 500 MHz×km
-SM/LC...	SM	1310 nm	9/125 μm	0-13 dB	0-25 km	0.4 dB/km 3.5 ps/(nm×km)
-SM+/LC...	SM	1310 nm	9/125 μm	10-29 dB	25-65 km	0.4 dB/km 3.5 ps/(nm×km)
-LH/LC...	SM	1550 nm	9/125 μm	10-29 dB	47-104 km	0.25 dB/km 19 ps/(nm×km)
-LH/LC...	SM	1550 nm	9/125 μm	10-29 dB	55-140 km	0.18 dB/km <sup>b</sup> 18 ps/(nm×km)

Table 6: Fiber port 100BASE-FX (SFP fiber optic Fast Ethernet Transceiver)

- a. including 3 dB system reserve when compliance with the fiber data is observed
- b. with ultra-low-loss optical fiber

Product code	Wave length	Fiber	System attenuation	Example for F/O line length <sup>a</sup>	Fiber attenuation	BLP/dispersion
-M2, -M4	MM	1300 nm	50/125 μm	0-8 dB	0-5 km	1.0 dB/km 800 MHz×km
-M2, -M4	MM	1300 nm	62.5/125 μm	0-11 dB	0-4 km	1.0 dB/km 500 MHz×km
-S2	SM	1300 nm	9/125 μm	0-16 dB	0-30 km	0.4 dB/km 3.5 ps/(nm×km)

Table 7: F/O port 100BASE-FX

- a. including 3 dB system reserve when compliance with the fiber data is observed

MM = Multimode, SM = Singlemode, LH = Singlemode Longhaul

#### 10/100/1000 Mbit/s twisted pair port

Length of a twisted pair segment max. 100 m (for cat5e cable)

### ■ Power consumption/power output

No.	Device name	Maximum power consumption	Maximum power output
1	SPIDER III PL-20-01.....HH-..	3.8 W	13.1 BTU(IT)/h
2	SPIDER III PL-20-01.....HV-..	4.4 W	15.1 BTU(IT)/h
3	SPIDER III PL-20-04.....HH-..	4.3 W	14.7 BTU(IT)/h
4	SPIDER III PL-20-04.....HV-..	4.9 W	16.7 BTU(IT)/h
5	SPIDER III PL-20-05.....HH-..	2.4 W	8.0 BTU(IT)/h
6	SPIDER III PL-20-05.....HV-..	3.0 W	10.4 BTU(IT)/h
7	SPIDER III PL-20-06.....HH-..	9.0 W	30.7 BTU(IT)/h
8	SPIDER III PL-20-06.....HV-..	8.6 W	29.5 BTU(IT)/h
9	SPIDER III PL-20-07.....HH-..	6.9 W	23.7 BTU(IT)/h
10	SPIDER III PL-20-07.....HV-..	6.9 W	23.5 BTU(IT)/h
11	SPIDER III PL-20-08...2.....HH-..	5.0 W	16.9 BTU(IT)/h
12	SPIDER III PL-20-08...2.....HV-..	5.2 W	17.7 BTU(IT)/h
13	SPIDER III PL-20-08..99.....HH-..	2.6 W	8.8 BTU(IT)/h
14	SPIDER III PL-20-08..99.....HV-..	3.1 W	10.6 BTU(IT)/h

Table 8: Power consumption/power output of the device variants SPIDER III PL-20... and SPIDER III PL-40... .

No.	Device name	Maximum power consumption	Maximum power output
15	SPIDER III PL-40-01.....HH-..	4.0 W	13.8 BTU(IT)/h
16	SPIDER III PL-40-01.....HV-..	4.7 W	16.0 BTU(IT)/h
17	SPIDER III PL-40-04.....HH-..	5.9 W	20.0 BTU(IT)/h
18	SPIDER III PL-40-04.....HV-..	6.1 W	21.0 BTU(IT)/h
19	SPIDER III PL-40-05.....HH-..	4.3 W	14.8 BTU(IT)/h
20	SPIDER III PL-40-05.....HV-..	5.0 W	17.0 BTU(IT)/h
21	SPIDER III PL-40-08.....HH-..	6.0 W	20.4 BTU(IT)/h
22	SPIDER III PL-40-08.....HV-..	7.9 W	26.8 BTU(IT)/h

Table 8: Power consumption/power output of the device variants SPIDER III PL-20... and SPIDER III PL-40... .

## ■ Scope of delivery

Number	Scope of delivery
1 ×	Device
1 ×	Terminal block for supply voltage and signal contact
1 ×	General safety instructions

## ■ Order number

Device	Order number
SPIDER III PL-20-01T1M29999TZ9HHHH	942-141-022
SPIDER III PL-20-01T1S29999TZ9HHHH	942-141-023
SPIDER III PL-20-04T1M29999TZ9HHHH	942-141-024
SPIDER III PL-20-04T1M49999TZ9HHHH	942-141-025
SPIDER III PL-20-04T1S29999TZ9HHHH	942-141-026
SPIDER III PL-20-05T199999TZ9HHHH	942-141-016
SPIDER III PL-20-06T1Z6Z6Z6TZ9HHHH	942-141-027
SPIDER III PL-20-07T1M2M299TZ9HHHH	942-141-030
SPIDER III PL-20-07T1S2S299TZ9HHHH	942-141-031
SPIDER III PL-20-08T1M29999TZ9HHHH	942-141-028
SPIDER III PL-20-08T199999TZ9HHHH	942-141-017
SPIDER III PL-20-08T1S29999TZ9HHHH	942-141-029
SPIDER III PL-40-01T1O69999TZ9HHHH	942-141-033
SPIDER III PL-40-04T1O69999TZ9HHHH	942-141-034
SPIDER III PL-40-05T199999TZ9HHHH	942-141-019
SPIDER III PL-40-08T199999TZ9HHHH	942-141-020

## ■ Accessories

Note that products recommended as accessories may have different characteristics to those of the device, which may limit the application range of the overall system. For example, if you add an accessory with IP 20 to a device with IP 65, the IP of the overall system is reduced to 20.

Other accessories	Order number
6-pin terminal block (50 pcs.)	943 845-013
Rail Power Supply RPS 30	943 662-003
Rail Power Supply RPS 80 EEC	943 662-080
Rail Power Supply RPS 120 EEC (CC)	943 662-121
Wall mounting plate for DIN rail mounting, width 1.58 in. (40 mm)	942 177-001
Wall mounting plate for DIN rail mounting, width 2.76 in. (70 mm)	942 177-002

Fast Ethernet SFP transceiver	Order number
M-FAST SFP-TX/RJ45	942 098-001
M-FAST SFP-TX/RJ45 EEC	942 098-002
M-FAST SFP-MM/LC	943 865-001
M-FAST SFP-MM/LC EEC	943 945-001
M-FAST SFP-SM/LC	943 866-001
M-FAST SFP-SM/LC EEC	943 946-001
M-FAST SFP-SM+/LC	943 867-001
M-FAST SFP-SM+/LC EEC	943 947-501
M-FAST SFP-LH/LC	943 868-001
M-FAST SFP-LH/LC EEC	943 948-001

Bidirectional Gigabit Ethernet SFP transceiver	Order number
M-SFP-BIDI Type A LX/LC EEC	943 974-001
M-SFP-BIDI Type B LX/LC EEC	943 974-002
M-SFP-BIDI Type A LH/LC EEC	943 975-001
M-SFP-BIDI Type B LH/LC EEC	943 975-002
M-SFP-BIDI Bundle LX/LC EEC (type A + B)	943 974-101
M-SFP-BIDI Bundle LH/LC EEC (type A + B)	943 975-101

Gigabit Ethernet SFP transceiver	Order number
M-SFP-TX/RJ45	943 977-001
M-SFP-SX/LC	943 014-001
M-SFP-SX/LC EEC	943 896-001
M-SFP-MX/LC EEC	942 108-001
M-SFP-LX/LC	943 015-001
M-SFP-LX/LC EEC	943 897-001
M-SFP-LX+/LC	942 023-001
M-SFP-LX+/LC EEC	942 024-001
M-SFP-LH/LC	943 042-001
M-SFP-LH/LC EEC	943 898-001
M-SFP-LH+/LC	943 049-001

## ■ Underlying technical standards

Standard	
ATEX 95 (94/9/EG)	ATEX – Intended use of equipment and protection systems in in potentially explosive areas.
CSA C22.2 No. 142	Canadian National Standard(s) – Process Control Equipment – Industrial Products
ISA 12.12.01, CSA C22.2 No. 213	Nonincendive Electrical Equipment for Use in Class I, Division 2 Hazardous Locations
ECE Nr. 10	E type approval for use in vehicles
FCC 47 CFR Part 15	Code of Federal Regulations
Germanischer Lloyd	Rules for Classification and Construction VI-7-2 – GL
IEC/EN 61850-3	Communication networks and systems in substations – Part 3: General requirements
IEC 60825-1	Safety of Laser Products
IEEE 1613	IEEE Standard Environmental and Testing Requirements for Communication Networking Devices in Electric Power Substations
EN 50121-4	Railway applications – EMC – Emission and immunity of the signaling and telecommunications apparatus (Rail Trackside)
EN 55022	Information technology equipment – Radio disturbance characteristics – Limits and methods of measurement
EN 60950-1	Information technology equipment – Safety – Part 1: General requirements
EN 60950-22	Installations of IT equipment – Security – Part 22: Outdoor equipments
EN 61131-2	Programmable controllers – Part 2: Equipment requirements and tests
UL/IEC 61010-1, UL/IEC 61010-2-201	Safety for Control Equipment
NEMA TS 2	Traffic Controller Assemblies with NTCIP Requirements (environmental requirements)
RCM	Australian Regulatory Compliance Mark (RCM) Australian Radiocommunications Standard 2008, Radiocommunications Act 1992

*Table 9: List of the technical standards*

The device has an approval based on a specific standard only if the approval indicator appears on the device casing.

If your device has a shipping approval according to Germanischer Lloyd, you find the approval mark printed on the device label. You will find out whether your device has other shipping approvals on the Hirschmann website under [www.hirschmann.com](http://www.hirschmann.com) in the product information.

The device generally fulfills the technical standards named in their current versions.

# A Further Support

## ■ Technical Questions

For technical questions, please contact any Hirschmann dealer in your area or Hirschmann directly.

You will find the addresses of our partners on the Internet at

<http://www.hirschmann.com>

Contact our support at

<https://hirschmann-support.belden.eu.com>

You can contact us

in the EMEA region at

▶ Tel.: +49 (0)1805 14-1538

▶ E-mail: [hac.support@belden.com](mailto:hac.support@belden.com)

in the America region at

▶ Tel.: +1 (717) 217-2270

▶ E-mail: [inet-support.us@belden.com](mailto:inet-support.us@belden.com)

in the Asia-Pacific region at

▶ Tel.: +65 6854 9860

▶ E-mail: [inet-ap@belden.com](mailto:inet-ap@belden.com)

## ■ Hirschmann Competence Center

The Hirschmann Competence Center is ahead of its competitors:

▶ Consulting incorporates comprehensive technical advice, from system evaluation through network planning to project planning.

▶ Training offers you an introduction to the basics, product briefing and user training with certification.

The current technology and product training courses can be found at

<http://www.hicomcenter.com>

▶ Support ranges from the first installation through the standby service to maintenance concepts.

With the Hirschmann Competence Center, you have decided against making any compromises. Our client-customized package leaves you free to choose the service components you want to use.

Internet:

<http://www.hicomcenter.com>





**HIRSCHMANN**

---

A **BELDEN** BRAND