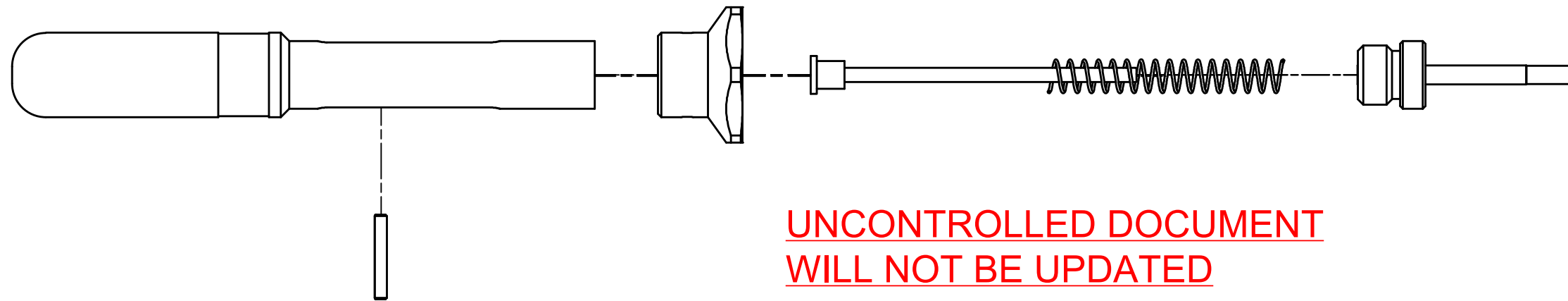
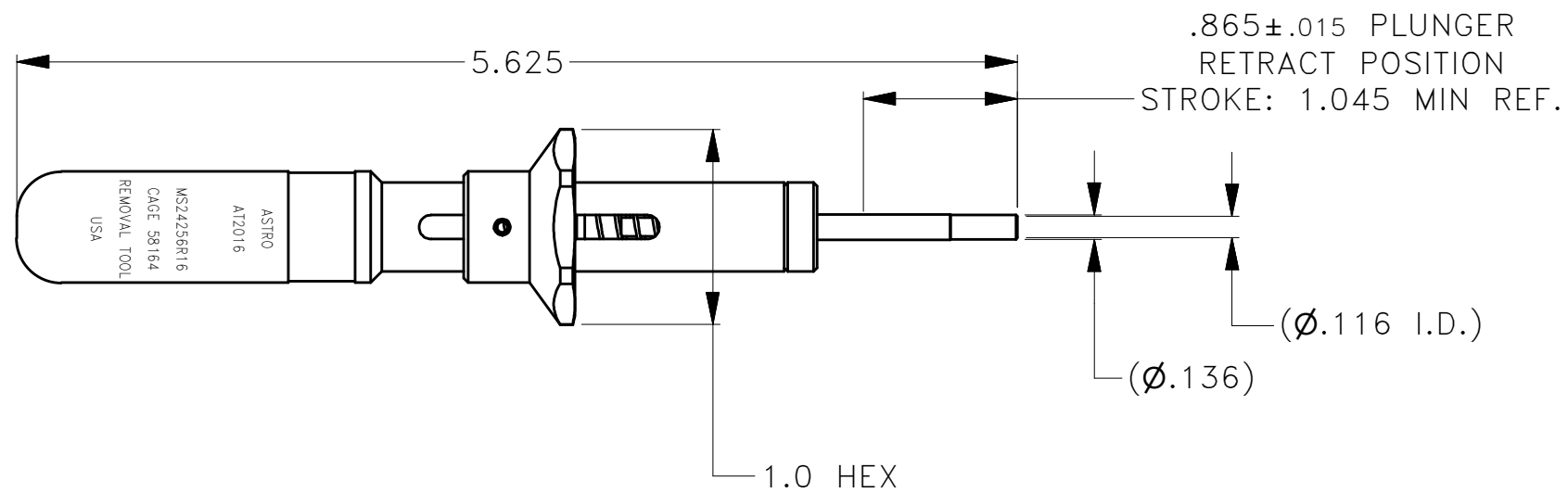



REVISIONS				
REV SYM	ECO NUMBER	DESCRIPTION	BY DATE	APP'D DATE
A		NEW RELEASE	DYO	MK 08-02-10



**UNCONTROLLED DOCUMENT
WILL NOT BE UPDATED**



THESE DRAWINGS, SPECIFICATIONS OR OTHER DATA ARE THE PROPERTY OF ASTRO TOOL CORP. AND MUST BE RETURNED UPON REQUEST. THEY CONTAIN INFORMATION OWNED AND/OR DEVELOPED BY ASTRO AT ITS OWN PRIVATE EXPENSE AND MAY NOT BE USED, DUPLICATED OR DISCLOSED TO OTHERS, IN WHOLE OR IN PART FOR DESIGN, MANUFACTURE, OR PROCUREMENT WITHOUT THE WRITTEN PERMISSION OF ASTRO TOOL CORP. EACH AND EVERY TIME. CREATED FROM AN INVENTOR MODEL. CHANGES MUST BE REFLECTED IN THE 3D PART DO NOT SCALE DRAWING	MATERIAL	N/A	ITEM	PART NO.	QTY.	DESCRIPTION/REMARKS				
	HEAT TREAT	N/A	DRN. J.MATTHEWS	DATE 08-02-10	 CAGE 58164 21615 S.W. TUALATIN VALLEY HWY., BEAVERTON OR 97006					
	FINISH	N/A	CHK'D. MK	DATE 08-02-10	TITLE ENVELOPE DRAWING: AT 2016 REM TOOL, 16 GA, MS24256R16					
	TOLERANCE:		UNLESS OTHERWISE SPECIFIED FRACTIONS ± 1/32 ANGLES ± 1° DECIMAL INCHES:		WHERE USED:	SIZE	SCALE	CAD P/N	SHEET OF	
				APP'D.	DATE	B		N.T.S.	AT 2016_env	10F1
				APP'D.	DATE	POSTING		P/N	AT 2016-ENV	REV. A
				TOLERANCE:		.X ± .030 .XX ± .010 .XXX ± .005 .XXXX ± .0005 REMOVE BURRS AND BREAK SHARP EDGES .005-.015				

NOTES:
 1. THIS IS AN ICAD DRAWING DO NOT CHANGE MANUALLY.
 2. COLOR CODE: BLUE.