

WaveStation Rack Mount

Thank you for purchasing a Teledyne LeCroy WaveStation Rack Mount accessory. Please review these instructions before installing the rack mount.

Parts

The rack mount kit is shipped with the following parts assembled as a unit. Contact us if parts are missing.

Parts	QTY
Faceplate	1
Handles	2
Mounting Brackets	2
Shoulder Bolts	2
M4x10 flat-head Phillips screws (for brackets)	8
M5 Phillips screws w/ lock washers (for handles)	4

Note: The kit does *not* include four, M5 screws needed to attach the rack mount to your equipment rack. We recommend using at least 10 mm length screws.

The weight of the rack mount kit by itself is **3.36 lbs.** You will need **3U** of space in your rack to mount the unit.

Tools

You will need a small Phillips-head screwdriver to attach the rack mount to the WaveStation.

Installation

Numbers on the image correspond to steps in this procedure.

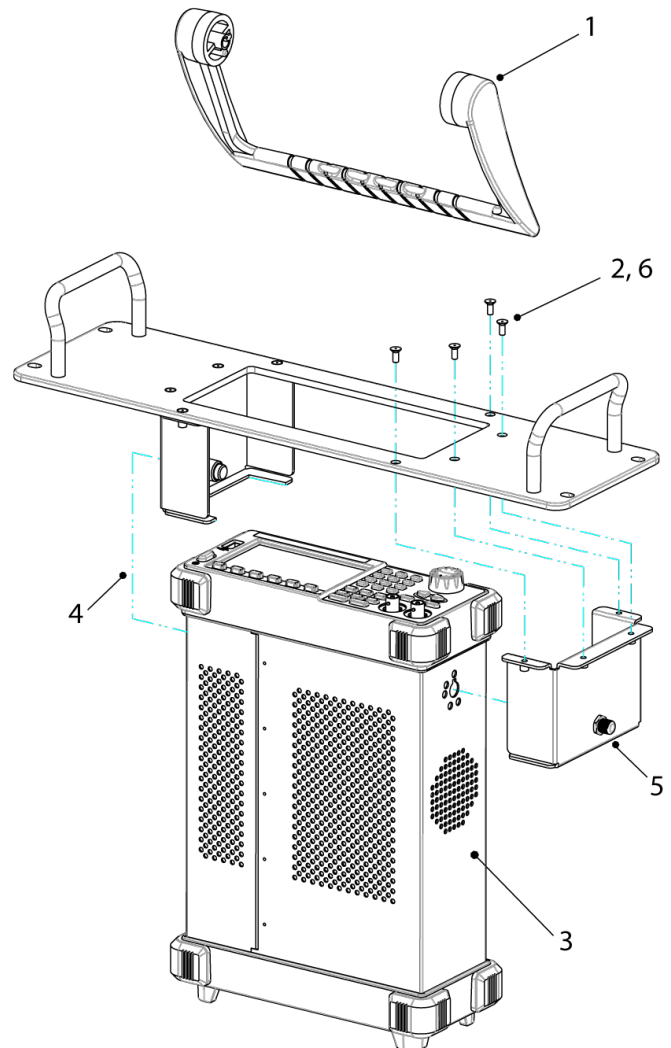
1. Remove the plastic handle on the WaveStation by pulling outward on the knobs while rotating the handle forward/backward.
2. Remove the four screws attaching either the left OR right bracket to the faceplate, and put them in a safe location, as they will be used later. Put aside the removed bracket. Leave the handles attached to the faceplate.
3. Place the WaveStation on its back, facing upwards.
4. Slide the bracket-faceplate assembly onto the WaveStation, over the rubber corner protectors. Insert the shoulder bolt into the hole on the side from which you removed the plastic handle.
5. Slide the other bracket onto the other side of the WaveStation, inserting the second shoulder bolt to fasten it to the body.
6. Replace the four removed screws to attach the bracket to the faceplate.

Note: The fit of the brackets, faceplate, and WaveStation are intentionally very snug. You may have to provide some pressure to get the screw holes to align correctly.

7. Mount the installed unit in your equipment rack using the four empty screw holes at the edge of the faceplate.



CAUTION. Before mounting in your rack, tighten all screws to provide for the correct attachment and fit of the rack mount to the WaveStation.



Contact Us

United States and Canada - World Wide Corporate Office

Teledyne LeCroy Corporation
700 Chestnut Ridge Road
Chestnut Ridge, NY, 10977-6499, USA
Ph: 800-553-2769 / 845-425-2000
FAX: 845-578-5985
teledynelecroy.com
contact.corp@teledynelecroy.com
customersupport@teledynelecroy.com

United States - Protocol Solutions Group

Teledyne LeCroy Corporation
3385 Scott Boulevard
Santa Clara, CA, 95054, USA
FAX: 408-727-0800
teledynelecroy.com
Sales and Service:
Ph: 800-909-7211 / 408-727-6600
contact.corp@teledynelecroy.com
Support: 800-909-7112 / 408-653-1260
psgsupport@teledynelecroy.com

European Headquarters

Teledyne LeCroy SA
4, Rue Moïse Marcinhes
Case postale 341
1217 Meyrin 1
Geneva, Switzerland
Ph: + 41 22 719 2228 / 2323 / 2277
FAX: +41 22 719 2233
contact.sa@teledynelecroy.com
applications.indirect@teledynelecroy.com
teledynelecroy.com/europe
Protocol Analyzers:
Ph: +44 12 765 03971

Singapore, Oscilloscopes

Teledyne LeCroy Singapore Pte Ltd.
Blk 750C Chai Chee Road #02-08
Technopark @ Chai Chee
Singapore 469003
Ph: ++ 65 64424880
FAX: ++ 65 64427811

Singapore, Protocol Analyzers

Genetron Singapore Pte Ltd.
37 Kallang Pudding Road, #08-08
Tong Lee Building Block B
Singapore 349315
Ph: ++ 65 9760-4682

China

Teledyne LeCroy Corporation Beijing
Rm. 2001
Unit A, Horizon Plaza
No. 6, Zhichun Road, Haidian District
Beijing 100088, China
Ph: ++86 10 8280 0318 / 0319 / 0320
FAX: ++86 10 8280 0316
Service: Rm. 2002
Ph: ++86 10 8280 0245

Taiwan

LeColn Technology Co Ltd.
Far East Century Park, C3, 9F
No. 2, Chien-8th Road,
Chung-Ho Dist., New Taipei City, Taiwan
Ph: ++ 886 2 8226 1366
FAX: ++ 886 2 8226 1368

Korea

Teledyne LeCroy Korea
10th fl. Ildong Bldg.
968-5 Daechi-dong, Gangnam-gu
Seoul 135-280, Korea
Ph: ++ 82 2 3452 0400
FAX: ++ 82 2 3452 0490

Japan

Teledyne LeCroy Japan
Hobunsya Funchu Bldg, 3F
3-11-5, Midori-cho, Fuchu-Shi
Tokyo 183-0006, Japan
Ph: ++ 81 4 2402 9400
FAX: ++ 81 4 2402 9586
teledynelecroy.com/japan

© 2013 Teledyne LeCroy, Inc. All rights reserved.

WaveStation and Teledyne LeCroy are trademarks of Teledyne LeCroy, Inc. Other product or brand names are trademarks or requested trademarks of their respective holders. Information in this publication supersedes all earlier versions. Specifications are subject to change without notice.

November 2013