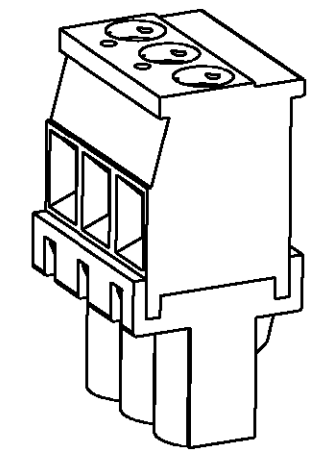
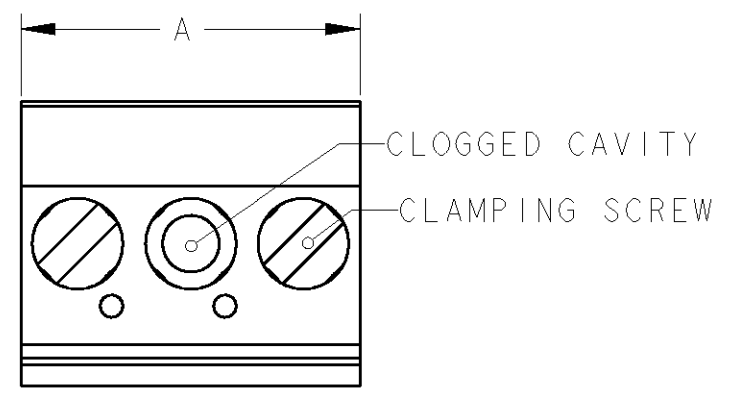


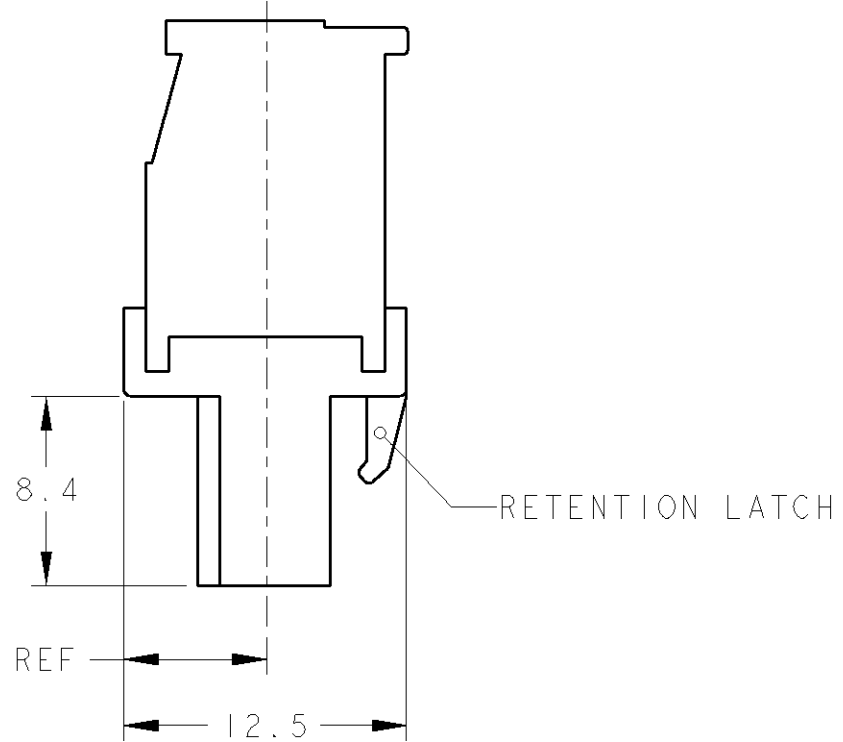
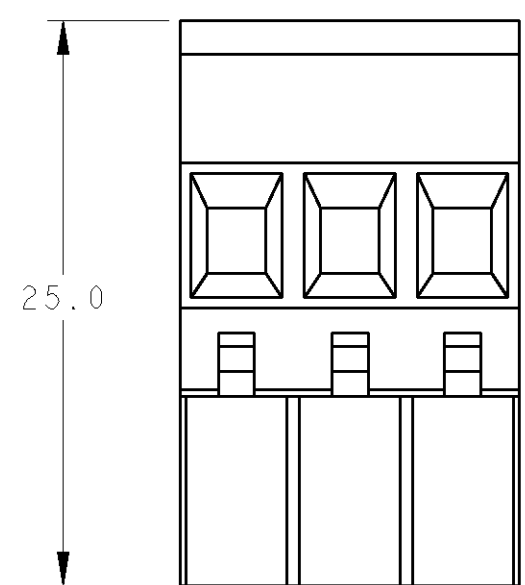
THIS DRAWING IS UNPUBLISHED. RELEASED FOR PUBLICATION 20
 © COPYRIGHT 20 BY TYCO ELECTRONICS CORPORATION. ALL RIGHTS RESERVED.

| LOC | DIST | REVISIONS | | | |
|-----|------|-------------|--------------------------|-----------|-------|
| P | LTR | DESCRIPTION | DATE | DWN | APVD |
| FT | 0 | B | REVISED PER 0G3B-0119-01 | 03JAN2002 | EZ DB |
| | | | | | |
| | | | | | |

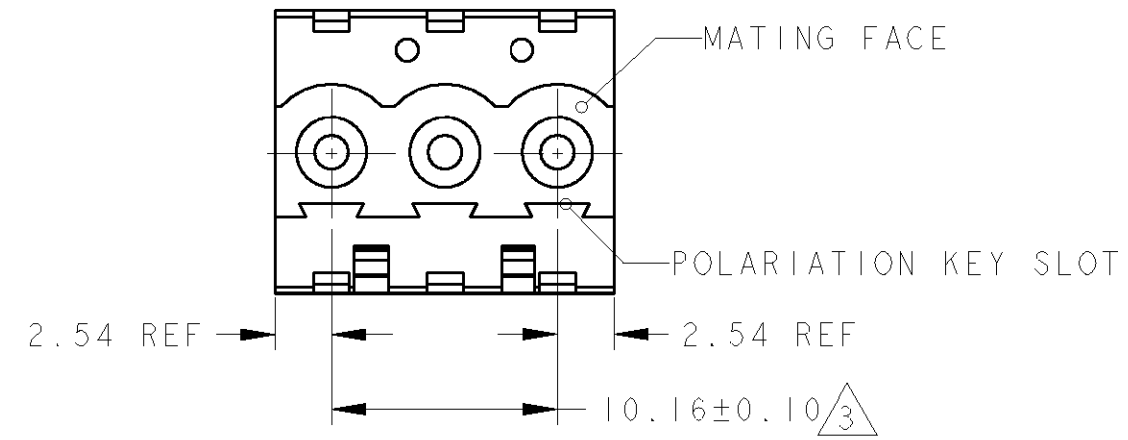


284045-2 AS SHOWN

- 1 MATERIALS AND FINISH
 HOUSING: PA 6-6, UL 94-V0, COLOR GREEN.
 CLAMP: BRASS, NICKEL PLATED.
 DOUBLE SIDE CONTACT SPRING : PHOSPHOR BRONZE, TIN PLATED.
 CLAMPING SCREW: M3, BRASS, NICKEL PLATED.
- 2 WIRE SIZE RANGE:
 12 - 30 AWG.
- 3 NOT CUMULATIVE TOLERANCE.
- 4 SELECTIVE GOLD PLATING, 0.00076 [0.00030]



| CONTACT FINISH | DIM.A | N° POS. | PART NUMBER |
|----------------|--------|---------|-------------|
| GOLD PLATED 4 | 15.24 | 2 | 1-284045-4 |
| | 127.00 | 13 | 1-284045-3 |
| | 116.84 | 12 | 1-284045-2 |
| | 106.68 | 11 | 1-284045-1 |
| | 96.52 | 10 | 1-284045-0 |
| | 86.36 | 9 | 284045-9 |
| | 76.20 | 8 | 284045-8 |
| | 66.04 | 7 | 284045-7 |
| | 55.88 | 6 | 284045-6 |
| | 45.72 | 5 | 284045-5 |
| TIN PLATED | 35.56 | 4 | 284045-4 |
| | 25.40 | 3 | 284045-3 |
| | 15.24 | 2 | 284045-2 |



THIS DRAWING IS A CONTROLLED DOCUMENT FOR TYCO ELECTRONICS CORPORATION IT IS SUBJECT TO CHANGE AND THE CONTROLLING ENGINEERING ORGANIZATION SHOULD BE CONTACTED FOR THE LATEST REVISION.

| | | | |
|-------------------|--|--|---|
| DIMENSIONS: mm | TOLERANCES UNLESS OTHERWISE SPECIFIED: 0 PLC ±. 1 PLC ±.3 2 PLC ±.25 3 PLC ±. 4 PLC ±. ANGLES ±2 | DWN 03JAN2002 E. ZANOLINI CHK 03JAN2002 E. ZANOLINI APVD 03JAN2002 D. BIEVENOUR | BUCHANAN Tyco Electronics Harrisburg, PA 17105-3608 |
| MATERIAL | FINISH | PRODUCT SPEC - | NAME TERMINAL BLOCK VERTICAL PLUG STACKING LEFT HAND 10.16mm PITCH |
| | | APPLICATION SPEC - | SIZE CAGE CODE DRAWING NO RESTRICTED TO A3 00779 C=284045 |
| | | WEIGHT - | CUSTOMER DRAWING SCALE 3:1 SHEET 1 OF 1 REV B |