

497AJK HEPA Vacuum Installation, Operation and Maintenance



Made in the
United States of America



Figure 1. [497AJK HEPA Vacuum](#).

Grounding Instructions

This appliance must be grounded. If it should malfunction or break down, grounding provides a path of least resistance for electric current to reduce the risk of electric shock. This appliance is equipped with a cord having an equipment-grounding conductor and grounding plug. The plug must be used with an appropriate outlet that is properly installed and grounded in accordance with all local codes and ordinances.

This appliance is for use on a nominal 120-volt circuit. (Check inside each vacuum model motor lid for specific information.) Make sure the appliance is connected to an outlet having the same configuration as the plug. No adapter should be used with this appliance. Any service on this vacuum cleaner should be performed by an authorized service representative.

Warning: Improper connection of the equipment-grounding conductor can result in a risk of electric shock. Check with a qualified electrician or service person if you are in doubt as to whether the outlet is properly grounded. Do not modify the plug provided with the appliance. If the plug does not fit the outlet, have a proper outlet installed by a qualified electrician.

Specifications

Electrical	120VAC, 50/60Hz, 6.0amps
Motor	1 Horsepower
Dimensions	17.8" L x 7.8" W x 9.3" H (45.2 cm L x 19.7 cm W x 23.5 cm H)
Weight	11 lbs.
Certification	cULus

To Operate

1. Release latches and open lid.
2. Unfasten accessory door and remove vacuum hose, electrical cord and hose attachments.
3. Remove filter plug from vacuum inlet (always replace when repacking for transport).
4. Attach selected accessory to hose. Insert other end of hose into inlet.
5. Latch lid securely.
6. Insert hooded end of power cord in power cord receptacle on vacuum.
7. Plug cord into power outlet.
8. Turn on power switch.

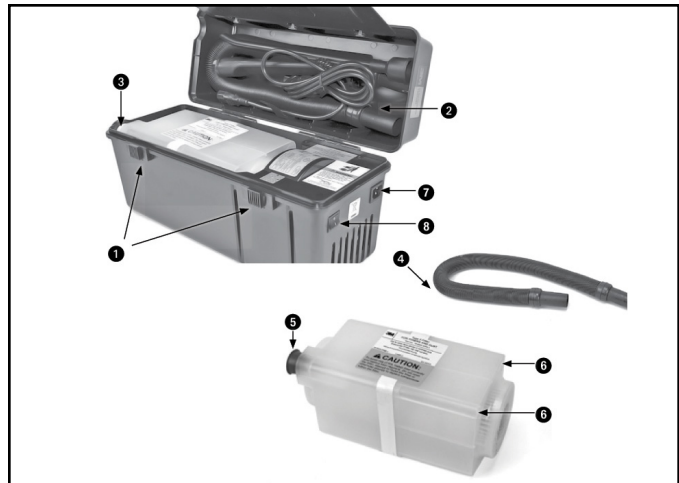


Figure 2. How to operate the [497AJK HEPA Vacuum](#).

To Replace Filter

The SCS 497AJK HEPA Vacuum is designed for use with disposable SCS Filters. The filters must be replaced on a regular basis. Frequency of filter replacement depends on the type and frequency of use of the 497AJK HEPA Vacuum.

1. Release the latches and open the lid.
2. Remove red filter plug or hose. Save the plug for use later (see WEEE Statement).
3. Grasp the filter on each side by using the circular indentations. Pull filter straight up by both ends.
4. Insert the red filter plug in the filter.
5. Dispose of the filter in a suitable manner.
6. Remove the red plug from the new filter and position filter in the vacuum with the filter hole to your left. Save the red plug for use in disposing of the filter (see WEEE Statement).
7. Verify that the gasket between the filter and the motor fits tightly.
8. Insert the red filter plug or hose.
9. Close and latch the lid.

To Store Attachments for Transport

1. Unplug the power cord from the outlet and vacuum.
2. Open the lid and retrieve the filter plug.
3. Remove the hose from the inlet and insert the filter plug.
4. Detach the hose nozzle from the base.
5. Place the hose, power cord and attachments into the lid and close the accessory door.
6. Close the lid and securely fasten the latches.

Parts List

Item	Description
1. SV-PC8	8 Foot Power Cord
2. HEPA VACUUM HOSE-32	5 Foot Hose
3. SV-CN1	Crevice Nozzle
4. SV-SPF1	Type 1 Fine Particle Filter
5. SV-CB1	Crevice Brush
6. SV-CS1	Carrying Strap

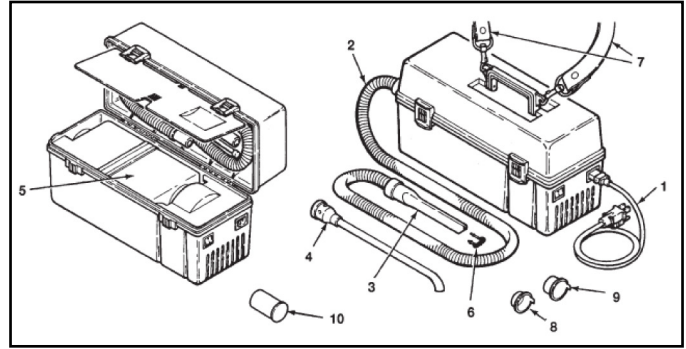


Figure 3. [497AJK](#) HEPA Vacuum parts.

Safety Information

Warning: TO REDUCE THE RISK OF FIRE, ELECTRIC SHOCK OR INJURY, FOLLOW THESE SAFETY RULES:

1. Use only as described in this manual. Use only manufacturer's recommended attachments.
2. Do not use this machine to vacuum hazardous dust, flammable or combustible liquids, such as gasoline.
3. Do not use without filter in place.
4. Do not leave appliance plugged in when not in use. Unplug from outlet when not in use and before servicing.
5. Do not handle plug or appliance with wet hands.
6. Do not use appliance outdoors or on wet surfaces. Electric shock could occur.
7. Do not use with damaged cord or plug. If appliance is not working as it should, has been dropped or damaged, left outdoors, or dropped in water, discontinue use.
8. Keep cord away from heated surfaces.
9. Do not put any object into openings. Do not use with any opening blocked.
10. Connect to a properly grounded outlet only. See Grounding Instructions.
11. Use extra care when cleaning on stairs.
12. Turn off all controls before unplugging.
13. Do not pull or carry by cord, use cord as a handle, close door on cord or pull cord around sharp edges and corners. Keep cord away from heated surfaces.
14. Do not allow to be used as a toy. Close attention is necessary when used near children.
15. Keep hair, loose clothing, fingers and all body parts away from openings and moving parts.
16. Do not pick up anything that is burning or smoking, such as cigarettes, matches or hot ashes.
17. Do not unplug by pulling on cord. To unplug, grasp the plug, not the cord.

Notice: Do not operate when filter is full. A lack of suction or exhaust is an indication of a full filter.

18. The appliance is not to be used by children or persons with reduced physical, sensory or mental capabilities, or lack of experience and knowledge.
19. Do not allow children to use as a toy. Close attention is necessary when used near children.

20. If accidental damage occurs discontinue use of this product.
21. Frequent inspection is recommended for physical damage or cracking. Clean regularly with a dry cloth.
22. Never operate this product if the unit has a damaged power cord, power supply or plug. Should the power cord, power supply, or plug found to be worn or damaged replace with SCS recommended power cord SV-PC8.
23. Hearing protection is recommended when operating this unit.

Electric shock could occur if used outdoors or on wet surfaces.

Caution: To avoid risk of fire, filter must be installed properly and replaced regularly. Do not open filter, reuse filter or attempt to replace components within filter.

Regulatory Information

cULus Statement

Meets cULus requirements.

WEEE Statement

The following information is only for EU-members States: The mark shown to the right is in compliance with Waste Electrical and Electronic Equipment Directive 2002/96/EC (WEEE). The mark indicates the requirement NOT to dispose the equipment as unsorted municipal waste, but use the return and collection systems according to local law.



Dispose of filter and vacuum components properly according to applicable local, state and federal laws.

Limited Warranty, Warranty Exclusions, Limit of Liability and RMA Request Instructions

See the SCS Warranty -

<http://staticcontrol.descoindustries.com/warranty.aspx>