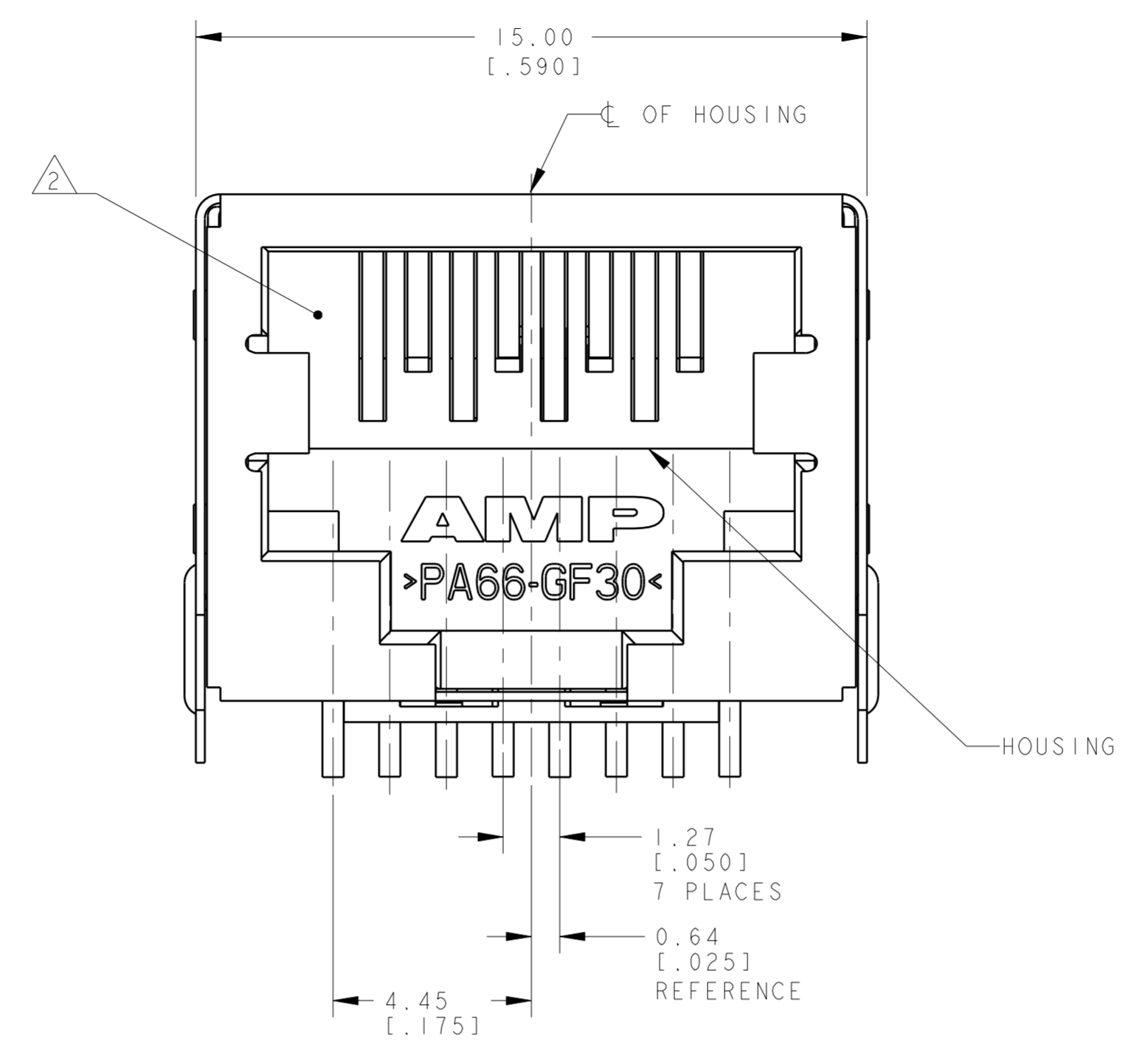
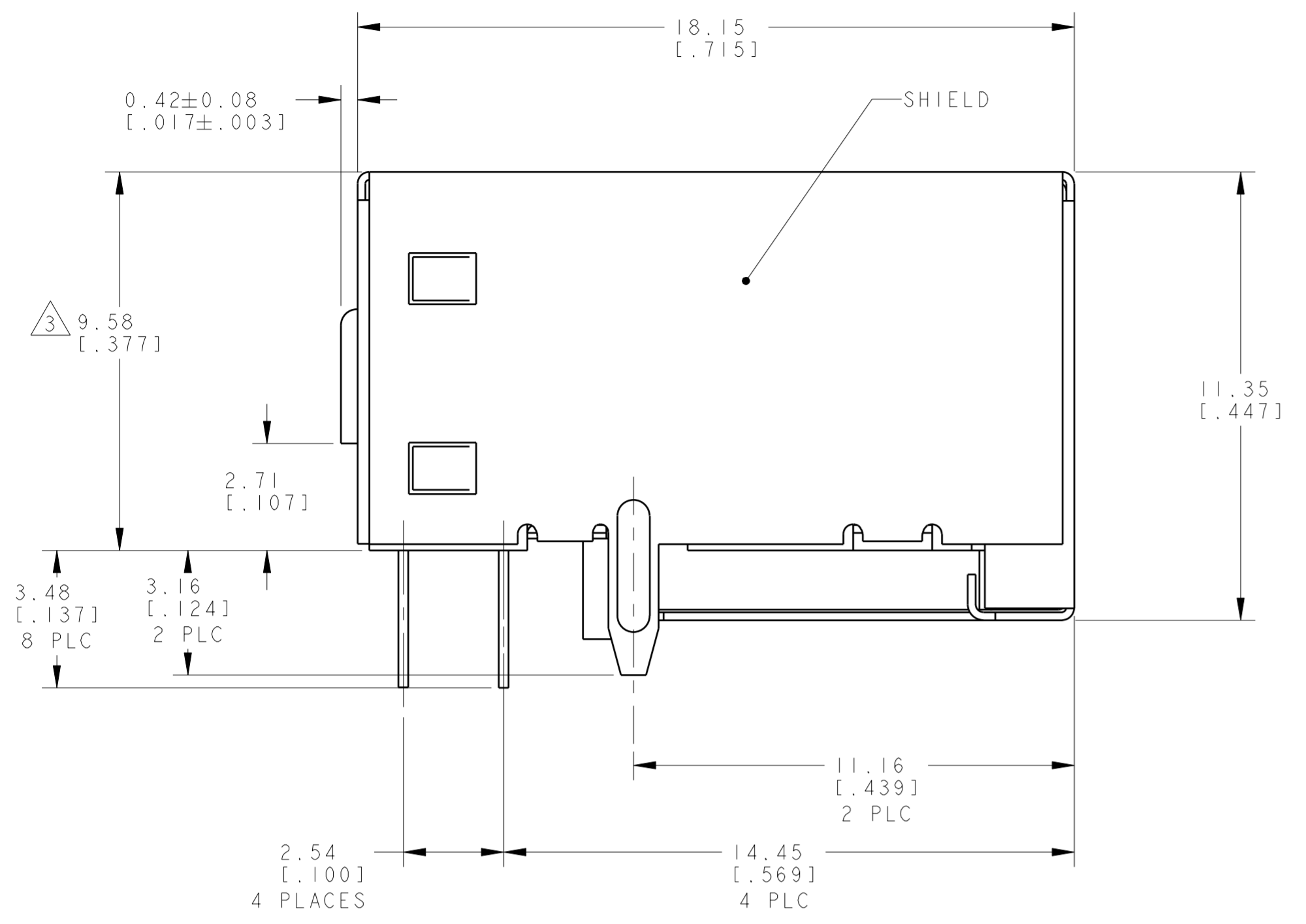
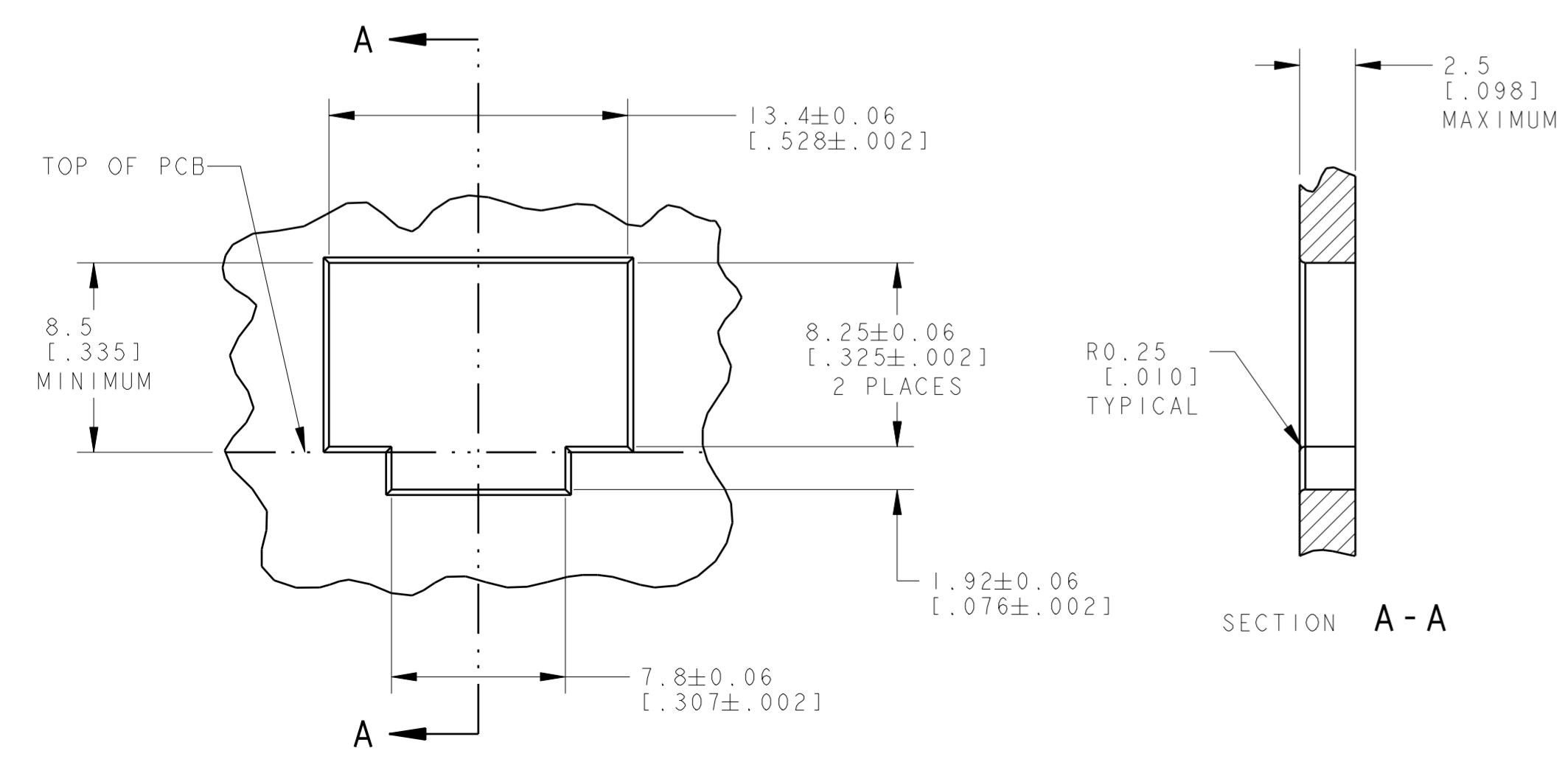
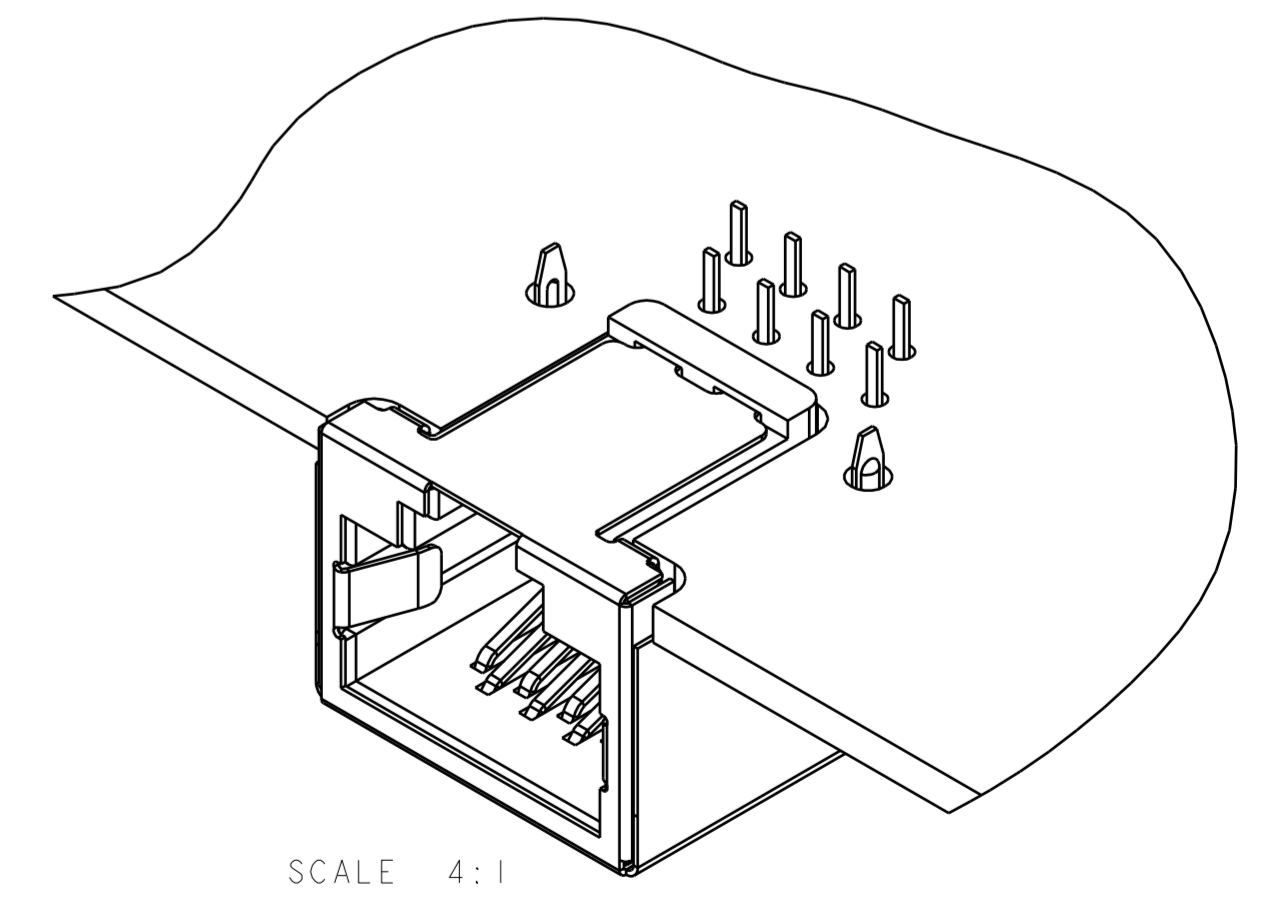
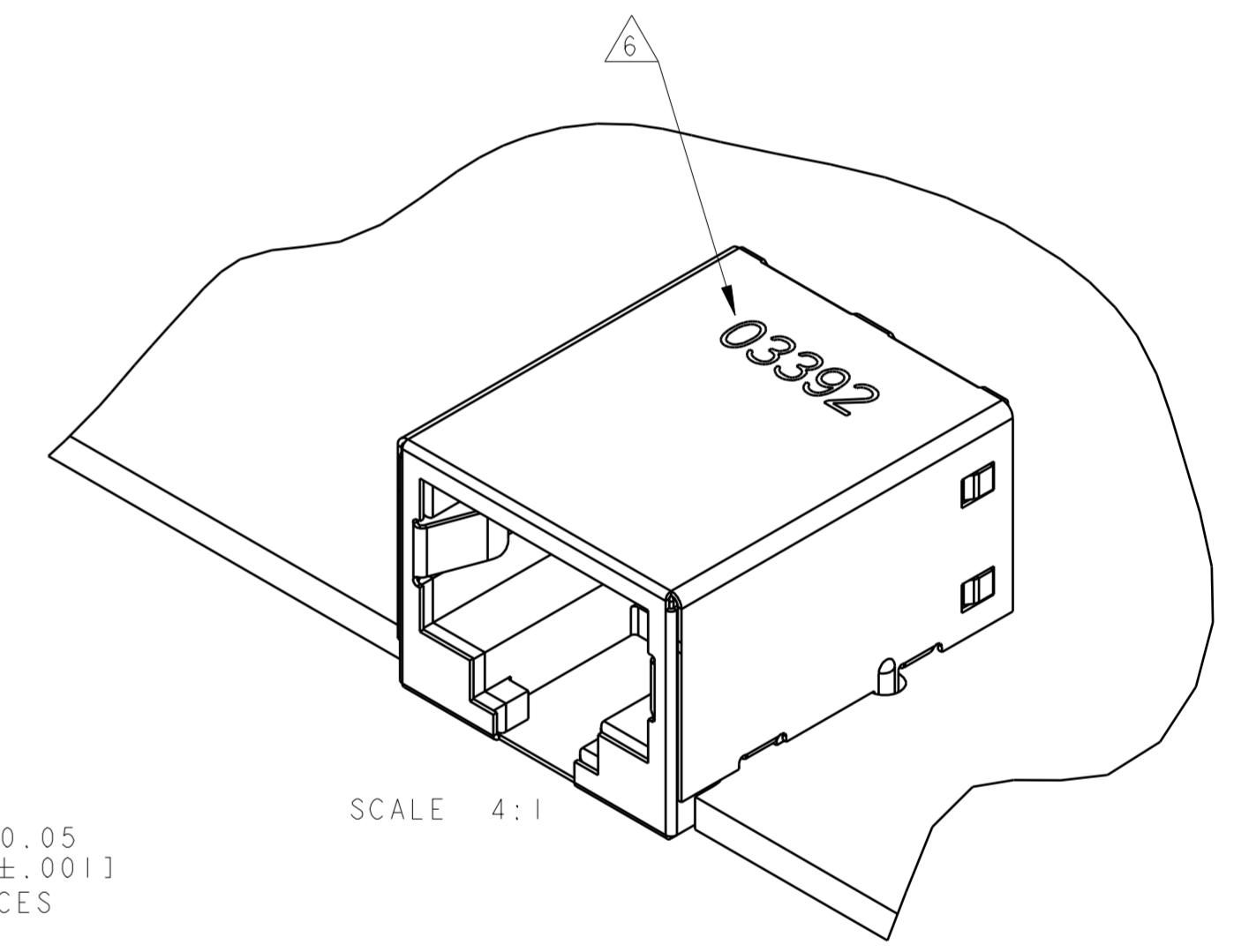
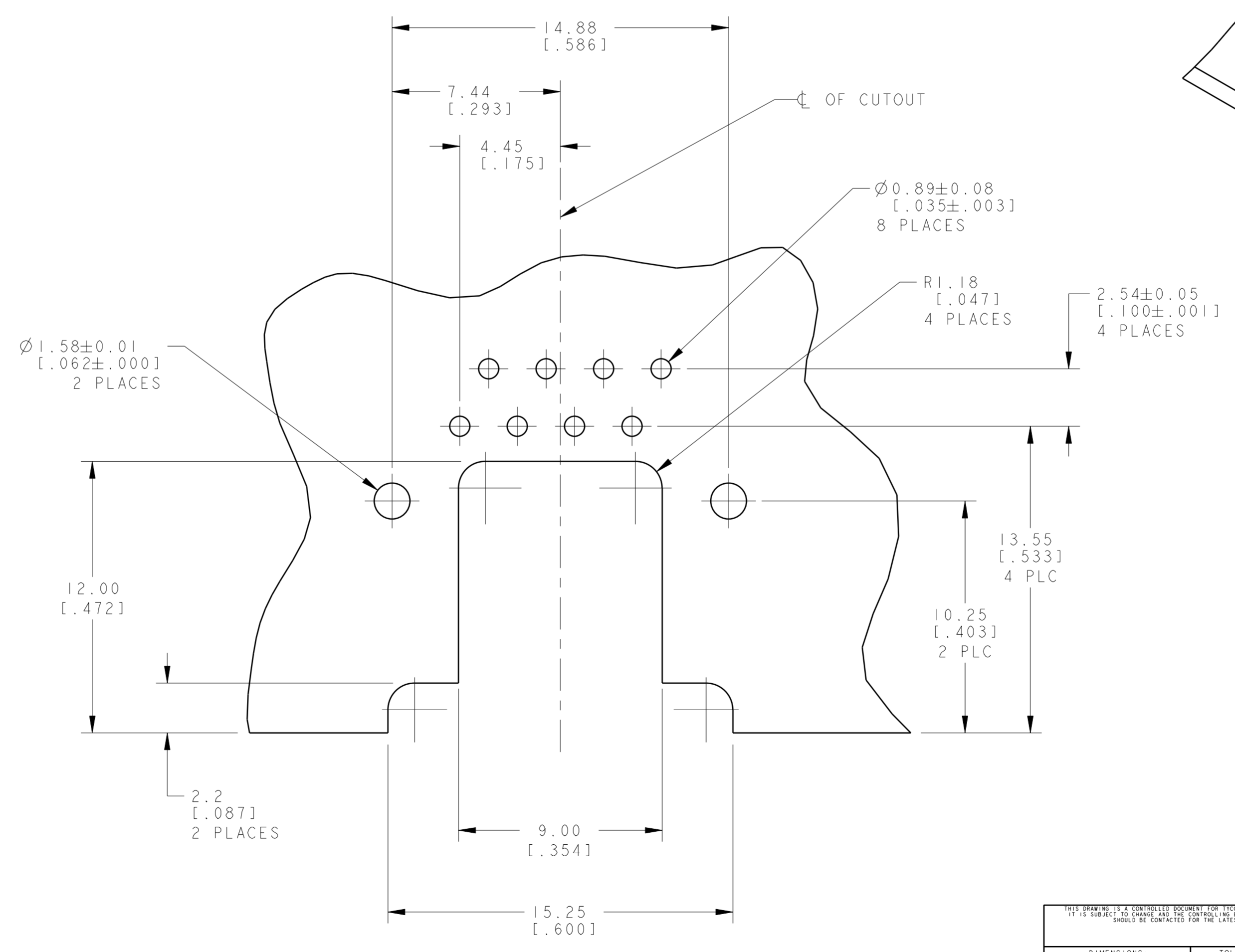
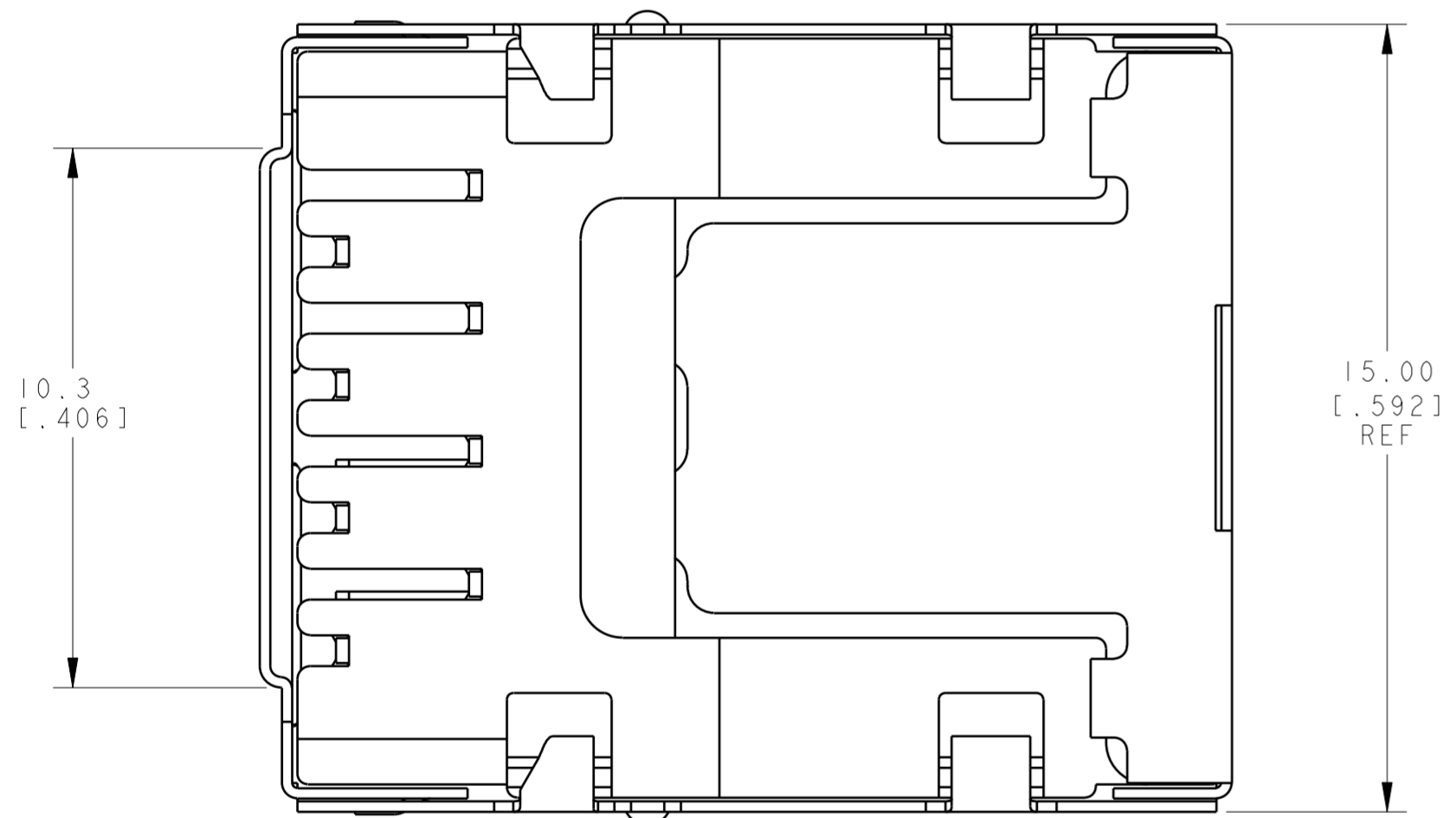


LOC	DIST	REVISIONS			
AA	22	REV	DATE	BY	APPD
		E	14SEP2004	LAM	BR
		F	27SEP2004	LAM	JW
		G	24AUG2006	LAM	JW
		H	10JUL2008	A.L	S.Y



- 1 MATERIAL: HOUSING - HIGH TEMPERATURE NYLON, BLACK, UL 94V-0. TERMINALS - 0.25(.010) THICK PHOSPHOR BRONZE PLATED WITH 3.81µm(.000150) MINIMUM THICK BRIGHT TIN-LEAD IN SOLDER AREA, 1.27µm(.000050) MINIMUM GOLD IN LOCALIZED PLATE AREA. ENTIRE TERMINAL PLATED WITH 1.27µm(.000050) MINIMUM THICK NICKEL. SHIELD - 0.2(.0079) THICK COPPER ZINC ALLOY, PREPLATED WITH 2.03µm(.000080) MIN THICK BRIGHT TIN OVER 1.27µm(.000080) MIN THICK NICKEL
- 2 JACK CAVITY CONFORMS TO FCC RULES AND REGULATIONS PART 68, SUBPART F.
- 3 THIS DIMENSION REPRESENTS THE TOTAL HEIGHT OF THE CONNECTOR FROM THE TOP OF THE PC BOARD.
- 4 PACKAGED 66 ASSEMBLIES PER PVC TRAY, 396 PER BOX.
- 5 DIELECTRIC WITHSTANDING VOLTAGE BETWEEN SHIELD AND TERMINAL IS 1500 VAC
- 6 MANUFACTURING DATE CODE:
ORIENTED AND LOCATED APPROXIMATELY AS SHOWN. BLACK INK STAMP. TEXT HEIGHT APPROXIMATELY 2MM.
FIRST 2 DIGITS = LAST 2 DIGITS OF YEAR
NEXT 2 DIGITS = MANUFACTURING WORK WEEK
LAST DIGIT = DAY OF WEEK WITH SUNDAY = 1
- 7 MATERIAL: HOUSING - HIGH TEMPERATURE NYLON, BLACK, UL 94V-0. TERMINALS - 0.25(.010) THICK PHOSPHOR BRONZE PLATED WITH 3.81µm(.000150) MINIMUM THICK MATTE TIN IN SOLDER AREA, 1.27µm(.000050) MINIMUM GOLD IN LOCALIZED PLATE AREA. ENTIRE TERMINAL PLATED WITH 1.27µm(.000050) MINIMUM THICK NICKEL. SHIELD - 0.2(.0079) THICK COPPER ZINC ALLOY, PREPLATED WITH 2.03µm(.000080) MIN THICK BRIGHT TIN OVER 1.27µm(.000050) MINIMUM THICK NICKEL



SUGGESTED PANEL CUTOUT
SCALE 4:1

SUGGESTED PRINTED CIRCUIT BOARD LAYOUT COMPONENT SIDE
SCALE 6:1

406732-2	
406732-1	
MATERIAL/FINISH	PART NUMBER

DIMENSIONS: mm [INCHES]		TOLERANCES UNLESS OTHERWISE SPECIFIED: 0 PLC ± 1 PLC ± 2 PLC ±0.13(.005) 3 PLC ± 4 PLC ± ANGLES ±		DWN L VARSIK 14FEB01 CHK L VARSIK 14FEB01 APVD L VARSIK 14FEB01 NAME PRODUCT SPEC 108-1163 APPLICATION SPEC 114-2048 WEIGHT 3.4 grams CUSTOMER DRAWING		Tyco Electronics Corporation Harrisburg, PA 17105-3608 MODULAR JACK ASSEMBLY, 8 POSITION, SHIELDED, 10mm, WITHOUT PANEL TABS, WITHOUT POSTS SIZE CODE CODE DRAWING NO 114-2048 RESTRICTED TO SCALE 8:1 SHEET 1 OF 1 REV H	
----------------------------	--	---	--	---	--	---	--