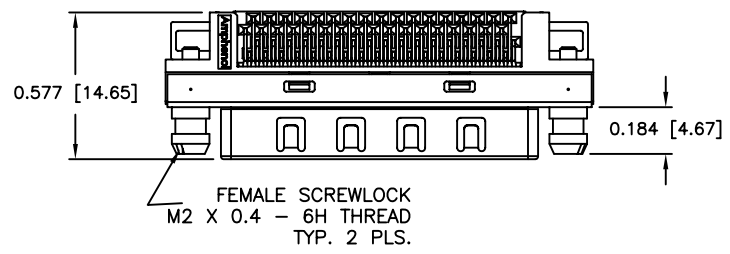
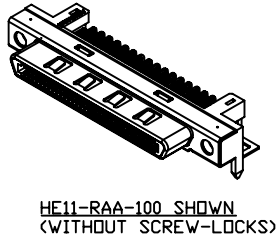
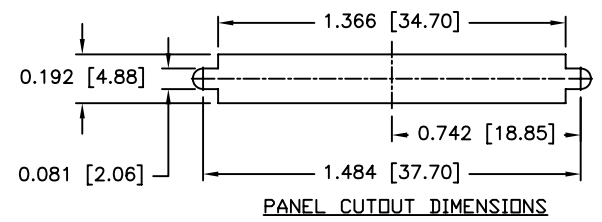
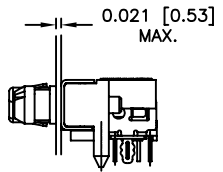


THIS DOCUMENT CONTAINS PROPRIETARY INFORMATION AND SUCH INFORMATION MAY NOT BE DISCLOSED TO OTHERS FOR ANY PURPOSE OR USED FOR MANUFACTURING PURPOSES WITHOUT PERMISSION FROM AMPHENOL CANADA CORP.

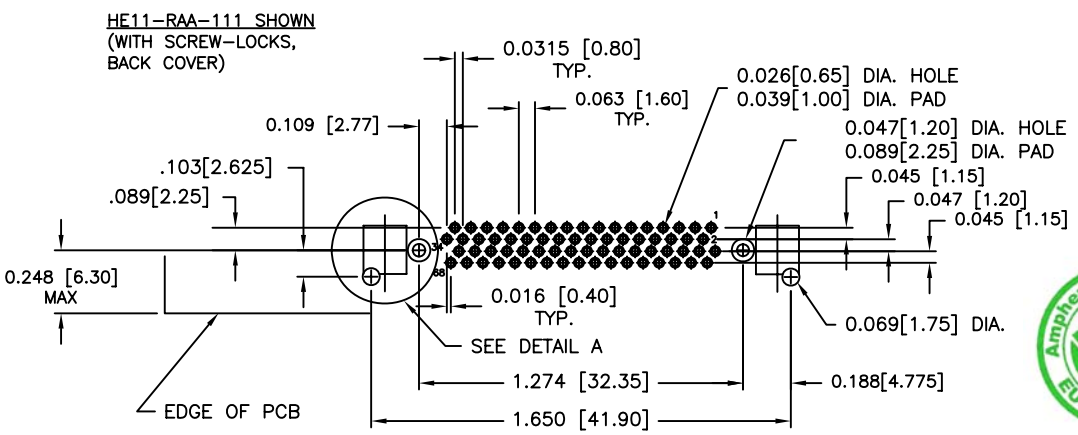
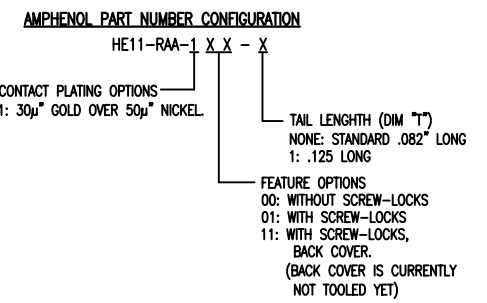
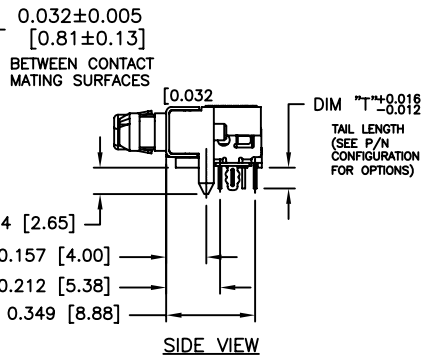
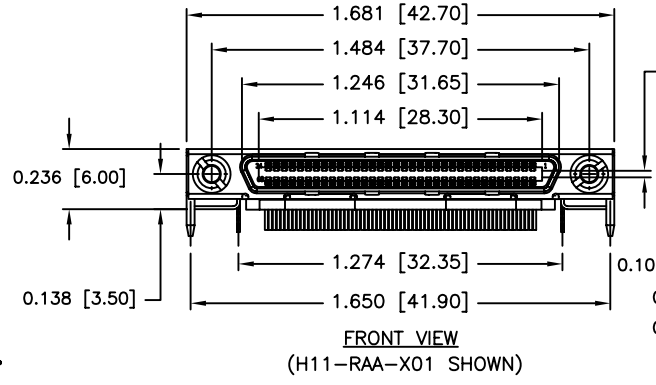
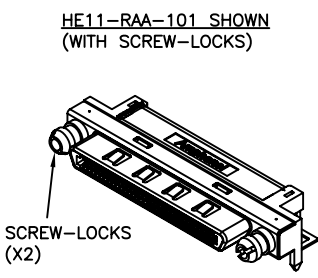
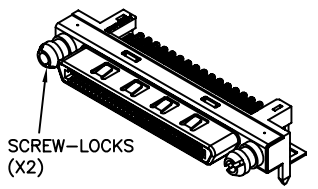
REVISIONS				
REV.	EDR	DESCRIPTION	DATE	APPROVED
A		PROPOSAL	APR29/05	K.L
B		CORRECT DIMENSION FROM 0.031[0.80] TO 0.0315[0.80]	JUNE 08/09	A.G



TOP VIEW



- NOTES: (FOR REFERENCE)
- MATERIAL
 - CONTACTS: PHOSPHOR BRONZE
30 microinches GOLD OVER 50 microinches NICKEL IN MATING AREA.
150 - 300 microinches MATTE TIN OVER NICKEL UNDERPLATE IN TERMINATION AREA.
 - INSULATION MATERIAL: HIGH TEMPERATURE THERMOPLASTIC UL 94V-0.
 - SHELL: STEEL, NICKEL OVER COPPER UNDERPLATE.
 - GROUNDING CLIP: STEEL, MATTE TIN PLATE OVER NICKEL UNDERPLATE.
 - CENTER SHIELD: BRASS, NICKEL PLATE OVER COPPER UNDER PLATE.
 - SCREWLOCK: STEEL, NICKEL PLATED.
 - MOUNTING NUT: BRASS, NICKEL PLATED.
 - RATINGS AND CHARACTERISTICS -
 - RATED VOLTAGE: 30 V rms.
 - CURRENT RATING AT 55°C (131°F)
 - 1.5 A SINGLE CONTACT
 - 0.5 A 50% ENERGIZED
 - 0.3 A 100% ENERGIZED
 - INSULATION RESISTANCE: 500 m ohms min.
 - CONTACT RESISTANCE: 60 m ohms maximum
 - DURABILITY CYCLING: 2000 min.
 - CLIMATIC TEMPERATURE RANGE: -55°C (-67°F) TO +85°C (185°F)



DO NOT SCALE DRAWING

UNLESS OTHERWISE SPECIFIED DIMENSIONS ARE IN INCHES	APPROVALS	DATE	Amphenol Canada Corp.	
	DRAWN L.CHAN	APR.29/05	TITLE	
MATERIAL AND FINISH	CHECKED YM LEE	APR.29/05	VHDCI FIXED BOARD RIGHT ANGLE SINGLE VERSION-ROHS COMPLIANT	
	DA APPS			
REV.	IE APPS		SIZE B	REV. B
DATE IDENT. NO. 03554	ENG APPS		SCALE 2 = 1	PROJECT SHEET 1 OF 1