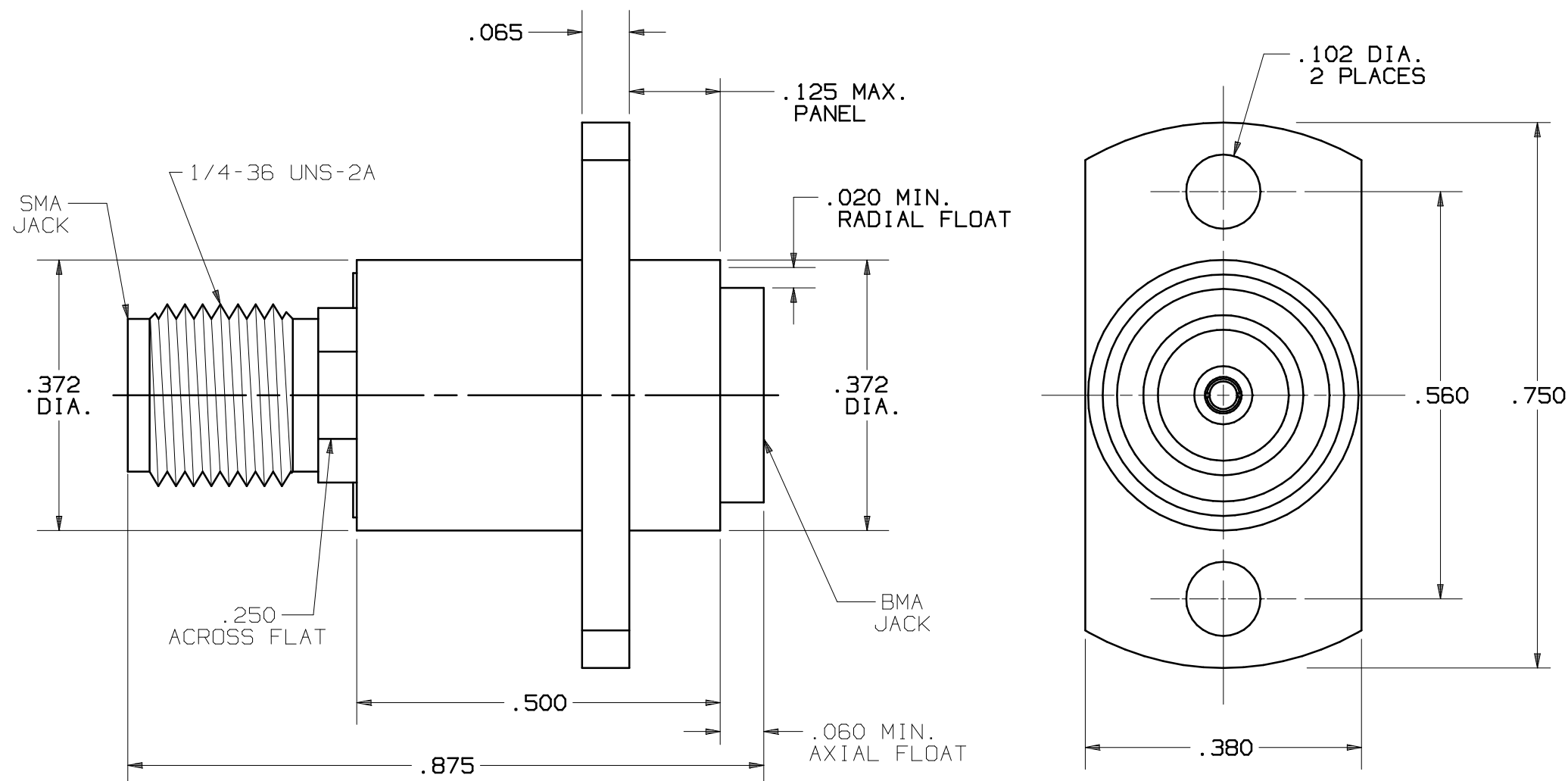


# PRODUCT DATA DRAWING

CAD  
GENERATED  
DRAWING

DCN  
CONTROLLED  
DOCUMENT

DWG. NO.  
SF 1157-6009



**MATERIALS:**

BODIES & INSERT: STAINLESS STEEL PER AMS-5640, UNS S30300, TYPE I

CONTACT, CONTACT SLEEVE: BERYLLIUM COPPER PER ASTM-196, COND. TD04, ALLOY UNS-C17300

SHIM SPRING, OUTER CONTACT: BERYLLIUM COPPER PER ASTM-B-194, COND. TD04, ALLOY UNS-C17200

INSULATOR: TEFLON PER ASTM-D-1457

LOCK RING: STAINLESS STEEL PER ASTM-A-240, ALLOY UNS S30400, TYPE 304

COIL SPRING: 302 STAINLESS STEEL

**FINISHES:**

BODY, INSERT, LOCK RING, OUTER BODY & COIL SPRING: PASSIVATE PER QQ-P-35C TYPE II

CONTACT, CONTACT SLEEVE, SHIM SPRING, OUTER CONTACT: GOLD PER MIL-G-45204, TYPE I, GRADE C, CLASS 0 OVER NICKEL PER QQ-N 290 CLASS 2

**ELECTRICAL:**

IMPEDANCE: 50 OHMS  
FREQ. RANGE: DC-22 GHZ  
DWV: 1000 VRMS  
INSUL. RES.: 5000 MEGOHMS, MIN.

SYM.	DESCRIPTION	DATE	APPR.	UNLESS OTHERWISE SPECIFIED: 1) ALL DIMENSIONS ARE AFTER PLATING. 2) BREAK CORNERS & EDGES .005 R. MAX. 3) CHAM. 1st & LAST THDS. 4) SURFACE ROUGHNESS 63 J MIL-STD-10. 5) DIAS. ON COMMON CENTERS TO BE CONCENTRIC WITHIN .004 T.I.R. 6) REMOVE ALL BURRS.	DIMENSIONS ARE IN INCHES			<b>SV Microwave, Inc.</b> 3301 Electronics Way West Palm Beach, FL, 33407 TITLE: SMA JACK TO BMA JACK, FLOATING FLANGE MOUNTED ADAPTER DWG. NO. SF 1157-6009	
	-	REL. NRN 27232	07/01		STW	DECIMALS	FRACTIONAL		ANGULAR
						.X ±.030			X° ±1°0'
						.XX ±.015	±1/64		X°X' ±15'
							□" AREA:		
					MATERIAL: SEE ABOVE		N/A		
					FINISH: SEE ABOVE				
					SIZE	CAGE NO.	SCALE		
					B	95077	5X		