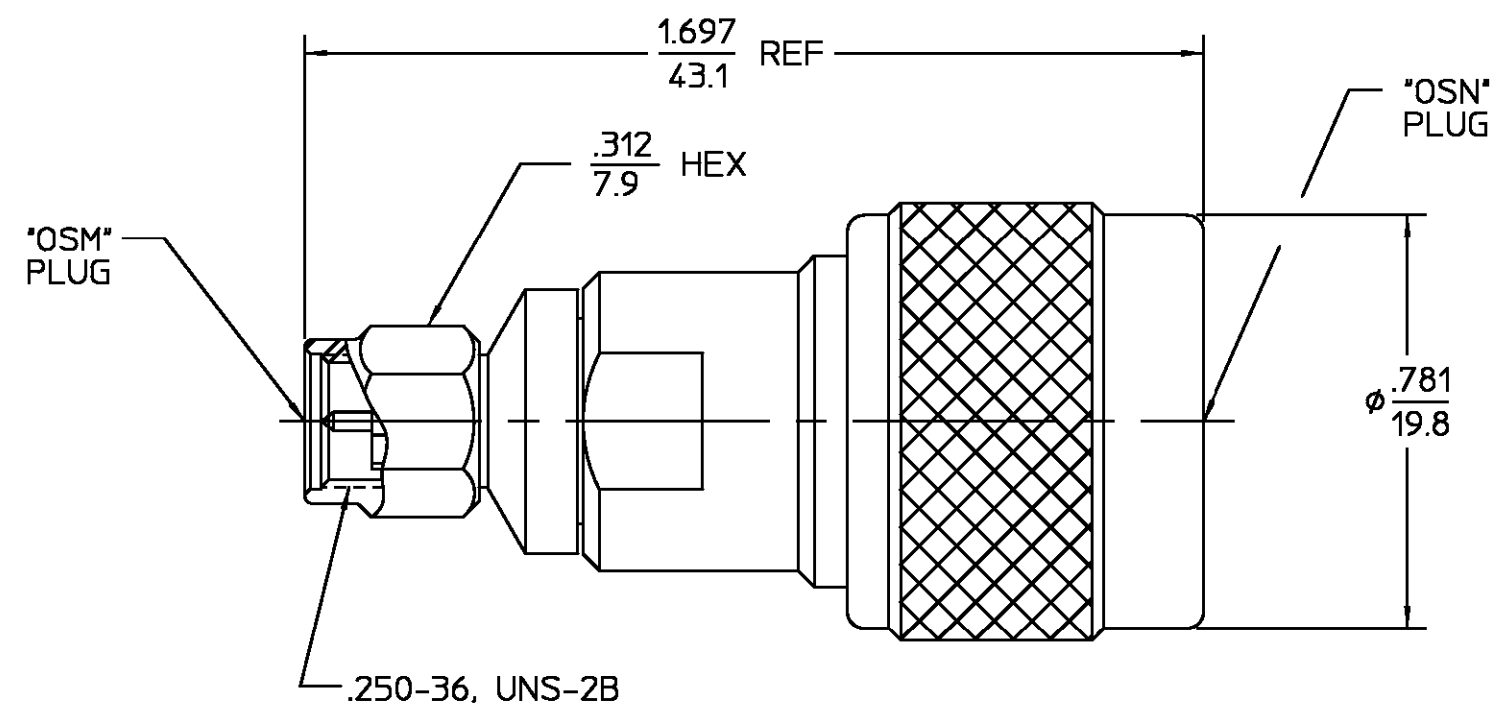
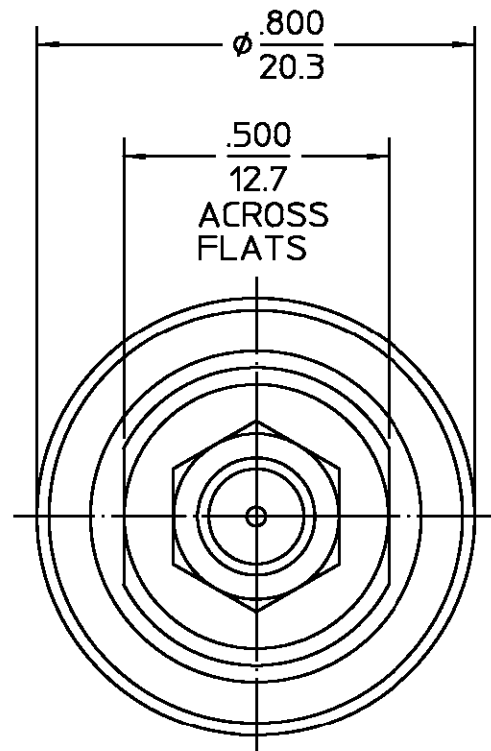


REVISIONS			
REV	DESCRIPTION	DATE	APPROVED
01 ₃	REDRAWN IN CAD, ECN 97-0001	K.LE 1-9-97	S. Morley 1/22/97
B	PER EC 0U20-0116-01-02	10/26/01	C. Hwang



HOUSING COUPLING NUTS	STAINLESS STEEL PER ASTM-A484 AND ASTM-A582, TYPE 303	PASSIVATE PER QQ-P-35
DIELECTRIC	TFE FLUOROCARBON PER ASTM-D-1457	N/A
RETAINING RING (OSM)	BERYLLIUM COPPER PER ASTM-B-194, ALLOY C17200, CONDITION H	N/A
RETAINING RING (TYPE N)	PHOSPHOR BRONZE PER QQ-B-750, GRADE B2	N/A
CONTACT EXT. BUSHING & CENTER CONTACT	BRASS PER ASTM-B-16, HALF HARD	GOLD PLATE PER MIL-G-45204
GASKET	SILICONE RUBBER PER ZZ-R-765	N/A
COMPONENT	MATERIAL	FINISH

.XXX = in
XX.X = mm (REF)

UNLESS OTHERWISE SPECIFIED DIMENSIONS ARE IN INCHES		DRAWN BY BWC	DATE 10-13-67	AMP AMP Incorporated 140 Fourth Avenue Waltham, MA 02451-7599
FRAC. ± 1/64	DEC. ±.005	CHECKED BY PRB	DATE 2-28-68	
ANGLES ± 1°		APPD BY RMF	DATE 2-29-68	
These drawings and specifications are the property of M/A COM Interconnect Div. and shall not be reproduced or copied or used in whole or in part as the basis for the manufacture or sale of item(s) without written permission.		USE ASSY PROCEDURE		TITLE TYPE N PLUG TO OSM PLUG ADAPTER
NO. A.P. N/A		SIZE B	CODE IDENT NO. 26805	REV 01 ₃
		SCALE 3:1	SHEET 1 OF 1	

CUSTOMER DRAWING

AMP PART # 1053646-1
SHEET 1 OF 1 REV B