

REVISIONS				
EC NO	DATE	REV	DESCRIPTION	CHANGER
	2016.07.26	A	INITIAL RELEASE.	DICK

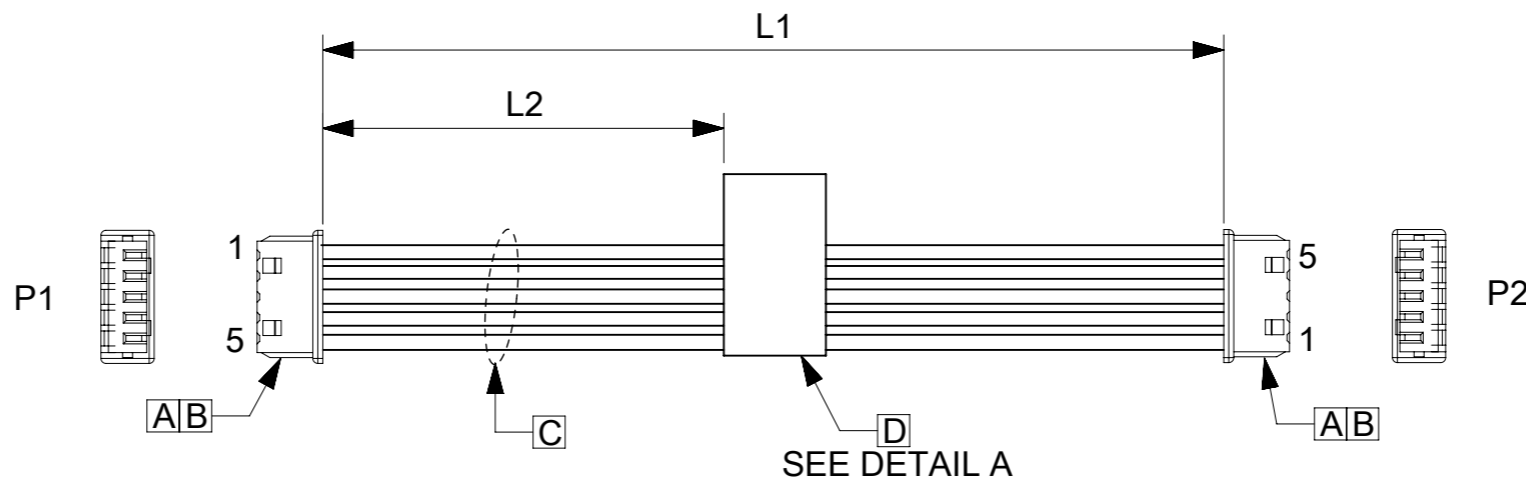
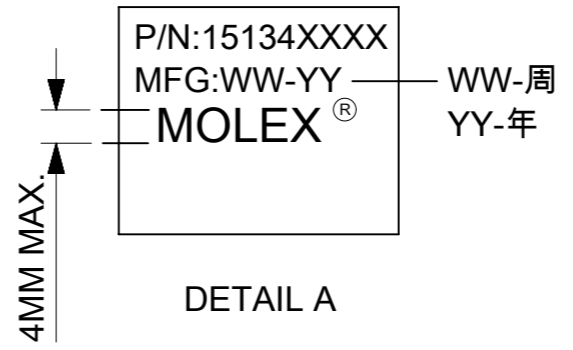


TABLE			
PART NUMBER	L1	L2	TITLE
151340500	50±6	20±5	Picoblade 5 Circuit 50MM
151340501	100±6	45±5	Picoblade 5 Circuit 100MM
151340502	150±8	70±5	Picoblade 5 Circuit 150MM
151340503	300±10	145±10	Picoblade 5 Circuit 300MM
151340505	450±10	220±10	Picoblade 5 Circuit 450MM
151340506	600±10	295±10	Picoblade 5 Circuit 600MM



- NOTES**
- THIS PRODUCT MUST MEET 2011/65/EU ROHS COMPLIANCE.
此产品需符合 2011/65/EU ROHS环保要求.
 - ELECTRICAL PERFORMANCE REFER TO ES-000.
电气特性参考ES-000.
 - LABEL TEXT MUST BE 2mm MAX. IN HEIGHT WITH ARIAL FONT.
标签字高最大2mm,字体ARIAL.
 - STICK UL LABEL ON THE OUTSIDE CARTON.
外箱上贴UL标签.

ITEM	DESCRIPTION	L(MM)	Q'TY
D	Blank label 12.7x35.5mm (WHT:12.7mm) HF		1
C	UL&CSA 1061/#28 STR BLK	A/R	
B	1.25MM CRIMP REC TERMINAL		10
A	1.25 WtB Rec Hsg 5Ckt		2

WIRING CHART		
P1	P2	COLOR
1	5	BLACK
2	4	BLACK
3	3	BLACK
4	2	BLACK
5	1	BLACK

QUALITY SYMBOLS 	THIS DRAWING CONTAINS INFORMATION THAT IS PROPRIETARY TO MOLEX ELECTRONIC TECHNOLOGIES, LLC AND SHOULD NOT BE USED WITHOUT WRITTEN PERMISSION				molex® SEE TABLE		
	EC NO: 106943 DRWN: WLXIE CHK'D: DHUANG16 APPR: YXZOU	GENERAL TOLERANCES (UNLESS SPECIFIED) ANGULAR TOL ± °		DIMENSION UNITS	SCALE	PRODUCT CUSTOMER DRAWING SERIES: 201234 MATERIAL NUMBER: SEE TABLE CUSTOMER: GENERAL MARKET	
		4 PLACES ± 3 PLACES ± 2 PLACES ± 1 PLACE ± 0 PLACES ±		MM	NTS		
		DRAFT WHERE APPLICABLE MUST REMAIN WITHIN DIMENSIONS		DRWN BY: WLXIE	DATE: 2016/07/11		
			CHK'D BY: DHUANG16	DATE: 2016/07/24	DOCUMENT NUMBER: 2012341357 DOC TYPE: PSD DOC PART: 000 SHEET NUMBER: 1 OF 1		
			APPR BY: YXZOU	DATE:	DRAWING SIZE: A3 THIRD ANGLE PROJECTION		