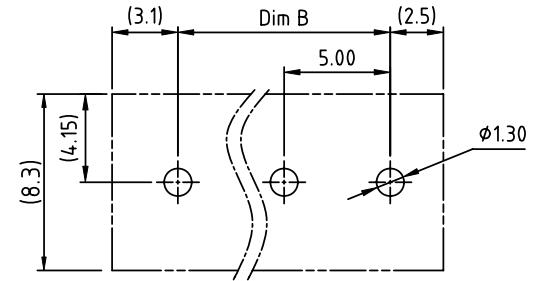
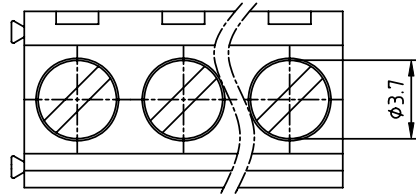
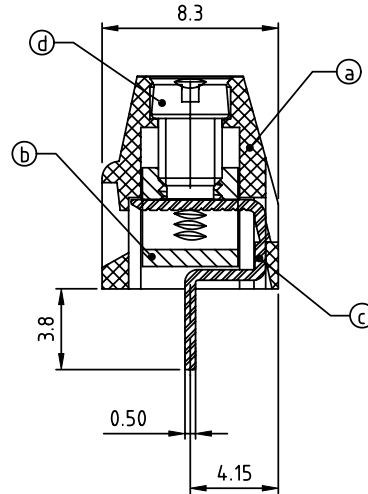
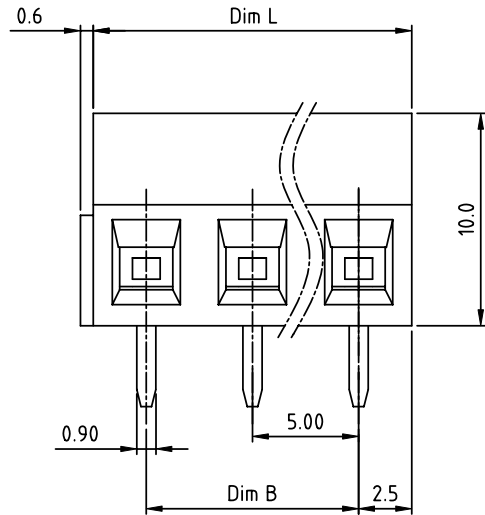


PRODUCT NUMBER	PITCH
T0xx01x100J0G	5.00 mm



RECOMMENDED P.C.B LAYOUT  
TOP VIEW



Material:

- Item a Terminal housing: Thermoplastic (UL 94V-0)
- Item b Clamp: Brass ,Ni plated
- Item c Solder pin: Brass ,Tin plated
- Item d Terminal screw: Steel Zinc plating"-slot type

Electrical cULus

- Voltage rating: 300VAC
- Current rating: 10A
- Wire range:
- Solid wire(AWG): 16-26
- Stranded wire(AWG): 16-26
- Torque(Lb-In): 3.5
- Screw: M3
- Wire strip length: 5-6mm
- Withstanding Voltage: 1.6KV
- Operating temperature: -40°C to +115°C
- Soldering temperature: 260°C±5°C/5 Sec
- Safety Approval:

N=NUMBER OF POLES

Dim L=N×5.00
Dim B=(N-1)×5.00

POLES	DimA&B Tolerance
4P-8P	±0.15
9P-13P	±0.25
14P-19P	±0.35
20P-24P	±0.40

PART NO.: TO xx 0 1 x 1 00J0 G

Solid Block	Color	RoHS compliant
No. of poles	0 Black (RAL9005)	(lead<4%)
04 4 poles	2 Red (RAL3001/D)	In copper Alloy
05 5 poles	3 Orange(RAL2011/P)	
...	4 Yellow(RAL1018/A)	
...	5 Green(RAL6018/T)	
24 24 poles	6 Blue (RAL5015/A)	
	8 Grey(RAL7035/D)	
	9 White(RAL1102)	
	C Green(RAL6018/U)	

mat'l. code		surface ASME Y14.5	tolerance ASME Y14.5	projection	product family
ltr ecn no dr date		tolerances unless otherwise specified			TERMINAL BLOCK
		angles	X.±0.5	MM	title
		fil	X.X±0.3		TERMINAL BLOCK
		X*±1*	X.XX±0.1	scale	RISING CLAMP,180D WIRE INLET
		dr	EVIN ZHONG 040814		dwg no
		enr	EVIN ZHONG 040814		sheet 1 of 1
		chr	HANKE FENG 040814		size
		appd	SHI JUN 040814		A4
sheet index	revision sheet	A			type
		1			CUSTOMER Drawing