

4

3

2

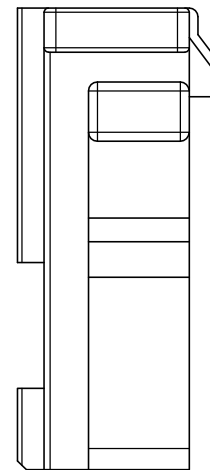
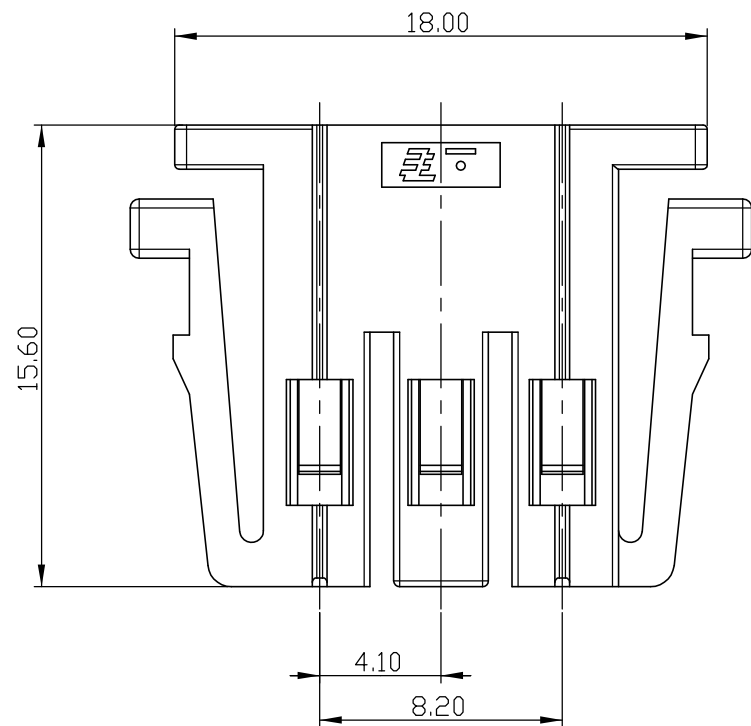
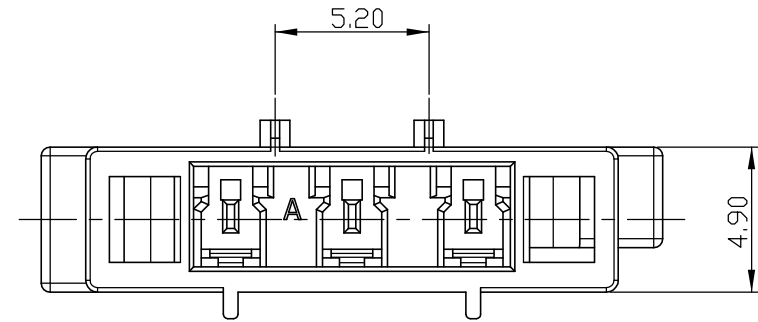
1

THIS DRAWING IS UNPUBLISHED.

RELEASED FOR PUBLICATION

© COPYRIGHT 19 BY TYCO ELECTRONICS CORPORATION. ALL INTERNATIONAL RIGHTS RESERVED.

LOC	DIST	REVISIONS			
P	LTR	DESCRIPTION	DATE	DWN	APVD
DS	-				
	A	RELEASED	05APR.'10	BH	JK



NOTES.
 1.GENERAL TOLERANCES : ±0.3
 2.MATING HDR ASS'Y P/N : 1743490-X
 3.APPLICABLE DBL PLATE P/N: 2005543-X
 4.APPLICABLE CONTACT P/N: 917684-1

2005542-1	3P PLUG HSG	PC/PET	NATURAL
P/N	DESCRIPTION	MATERIAL	COLOR

<small>THIS DRAWING IS A CONTROLLED DOCUMENT FOR TYCO ELECTRONICS CORPORATION IT IS SUBJECT TO CHANGE AND THE CONTROLLING ENGINEERING ORGANIZATION SHOULD BE CONTACTED FOR THE LATEST REVISION.</small>		DWN BH CHO CHK BW KANG APVD JK SONG PRODUCT SPEC 108-61076 APPLICATION SPEC - WEIGHT -		AMP,KOREA kyungsan,korea NAME BLOWER MOTOR 3P PLUG HOUSING WITH DBL SIZE A3 CAGE CODE 00779 DRAWING NO C=2005542 RESTRICTED TO -	
DIMENSIONS: mm	TOLERANCES UNLESS OTHERWISE SPECIFIED: 0 PLC ± 1 PLC ± 2 PLC ± 3 PLC ± 4 PLC ± ANGLES ±	MATERIAL - FINISH -		SCALE 4:1 SHEET 1 OF 1 REV A	
		CUSTOMER DRAWING			