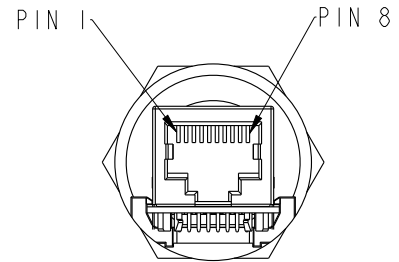
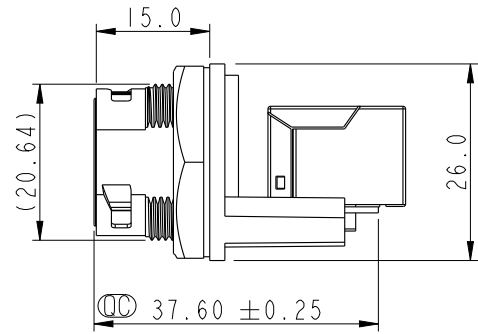
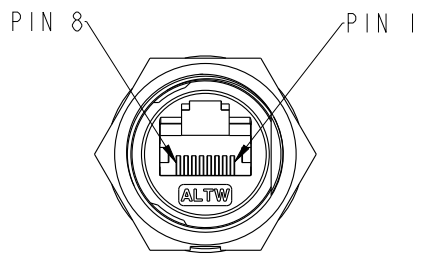
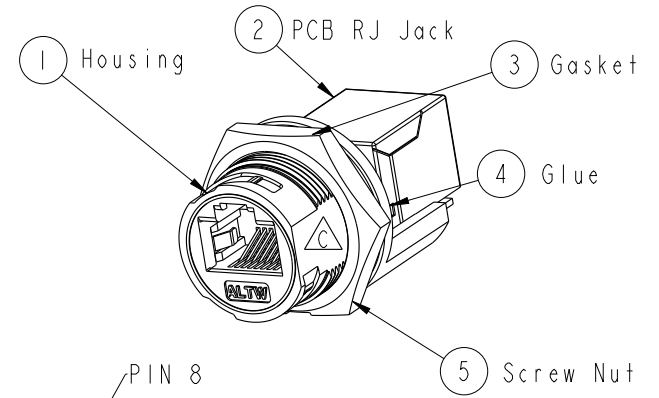
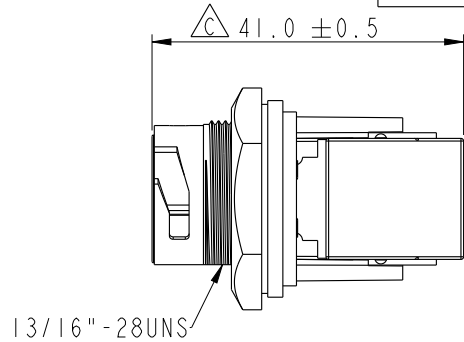
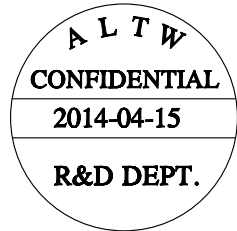
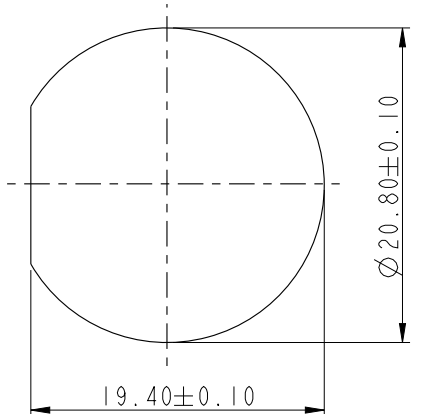


THIS DOCUMENT IS SUBJECT TO CHANGE WITHOUT NOTICE. IT IS CONFIDENTIAL AND A PROPERTY OF AMPHENOL LTW. DISCLOSURE TO THIRD PARTY HAS TO BE AUTHORIZED BY AMPHENOL LTW.

| REV. | ECN NO.    | DATE       | SIGN   | DESCRIPTION       |
|------|------------|------------|--------|-------------------|
| B    | LE313A0338 | 2013-10-23 | Raison | Modify Jack, Note |
| C    | LEN1440159 | 2014-04-15 | Tom_gu | Change D Cut      |



- Note:
- \*  $\varnothing$  Important Dimension
  - \* Waterproof Rate : IP67 Unmated
  - \* Housing : Nylon+GF, UL 94V-0, BLACK
  - \* Screw Nut : Nylon+GF, BLACK
  - $\triangle$  \* Gasket : Silicone, UL 94V-0, Gray.
  - \* PCB: FR-4
  - \* Jack : PBT Polyester UL 94V-0
  - $\triangle$  \* Use without Waterproof cap or Dust cap  
For Panel Thickness Max: 4.2mm
  - \* Use with Waterproof cap or Dust cap  
For Panel Thickness Max: 3.0mm
  - $\triangle$  \* Screw torsion value range: 8~12kgf-cm



|           |       |
|-----------|-------|
| UNIT : mm |       |
| TOLERANCE |       |
| .X        | ±0.25 |
| .XX       | ±0.1  |
| .XXX      | ±0.05 |
| ANGLES    | ±1°   |

|                                   |                |                                 |  |
|-----------------------------------|----------------|---------------------------------|--|
| TITLE<br>RJ45, C SIZE, WATERPROOF |                |                                 |  |
| SCALE<br>1:1                      | SIZE<br>A4     | SHEET<br>1 OF 1                 |  |
| REV.<br>C                         | WC-REV.<br>B.3 | $\varnothing$ : Inspection item |  |

**Amphenol LTW**  
安費諾亮泰企業股份有限公司

|                               |                       |                    |
|-------------------------------|-----------------------|--------------------|
| ITEM NO<br>RCP-5SPFFH-TCU7001 | DRAWN BY<br>Tom_gu    | DATE<br>2014-04-15 |
| DWG NO<br>RCP-5SPFFH-TCU7001  | CHECKED BY<br>Tony    | DATE<br>2014-04-15 |
| CUSTOMER<br>ALTW              | APPROVED BY<br>Victor | DATE<br>2014-04-15 |