

Lead taping radial lead type

● Dimensions

| Case size (mm) $\phi D \times L$ | Lead space (F) | | |
|----------------------------------|----------------|--------|--------|
| | 2.5 mm | 5.0 mm | 7.5 mm |
| 4 × 5, 7 | B | A | |
| 5 × 5, 7 | B | A | |
| 6.3 × 5, 7 | C | A | |
| 8 × 5, 7 | C | E | |
| 5 × 11 | C | D | |
| 6.3 × 11.2, 15 | C | D | |
| 8 × 11.5, 15, 20 | | E | |
| 10 × 12.5, 16, 20, 25 | | F | |
| 12.5 × 15, 20, 25 | | G | |
| 16 × 15, 20, 25 | | | H |
| 18 × 15, 20, 25 | | | H |

Figure A (Lead space: 5.0 mm / $\phi D \times L$: $\phi 4 \times 5, 7, \phi 5 \times 5, 7, \phi 6.3 \times 5, 7$)

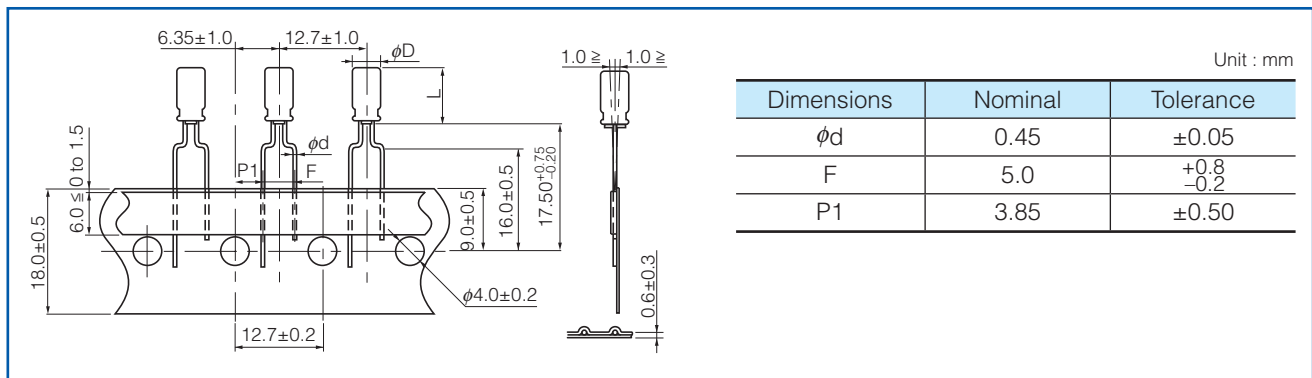


Figure B (Lead space: 2.5 mm / $\phi D \times L$: $\phi 4 \times 5, 7, \phi 5 \times 5, 7$)

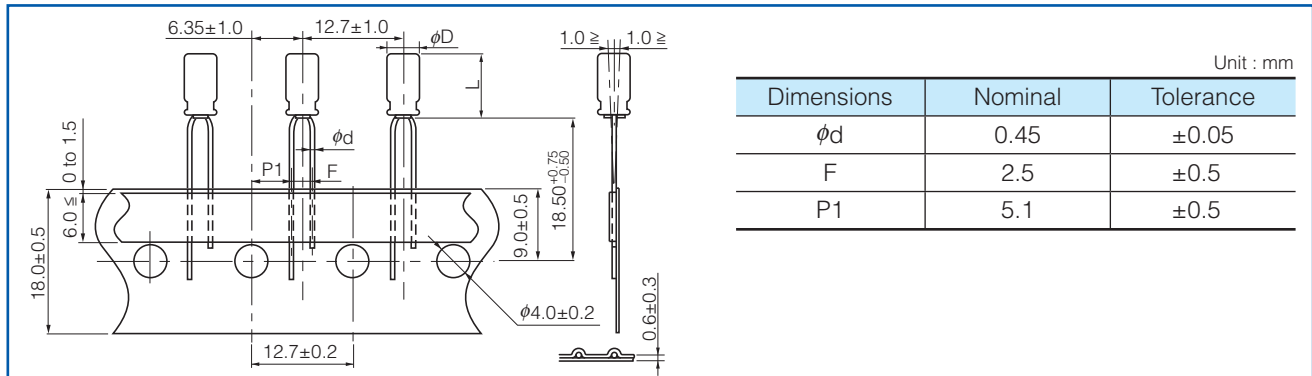


Figure C (Lead space: 2.5 mm / $\phi D \times L$: $\phi 5 \times 11, \phi 6.3 \times 5, 7, 11.2, 15, \phi 8 \times 5, 7$)

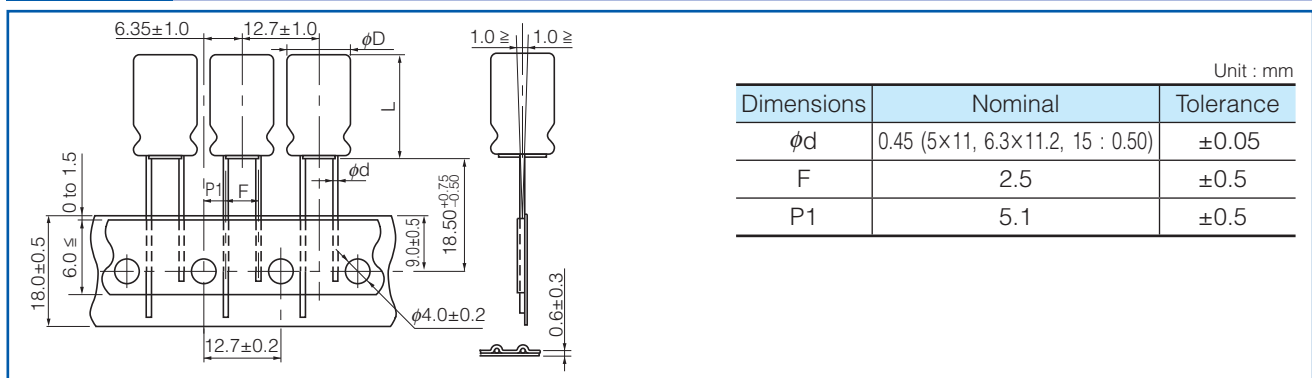


Figure D (Lead space: 5 mm / $\phi D \times L$: $\phi 5 \times 11$, $\phi 6.3 \times 11.2$, 15)

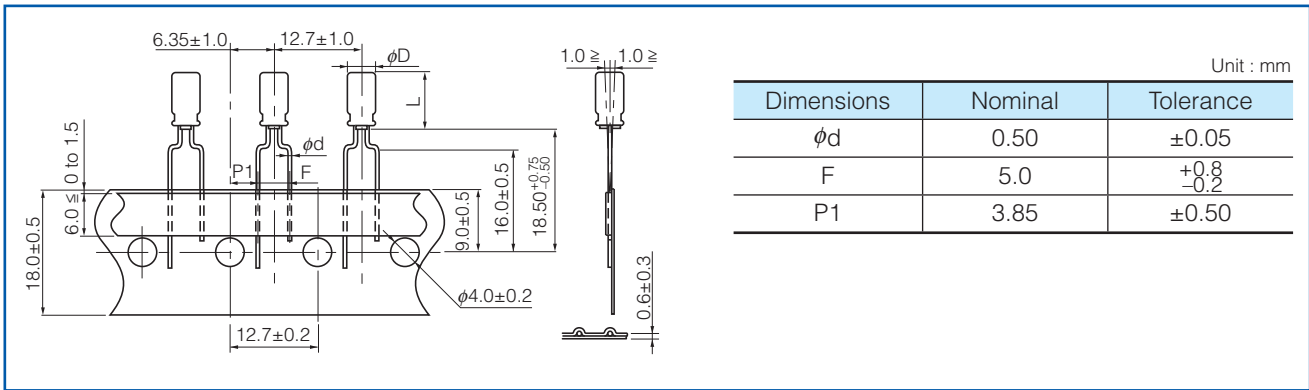


Figure E (Lead space: 5 mm / $\phi D \times L$: $\phi 8 \times 5$, 7, 11.5, 15, 20)

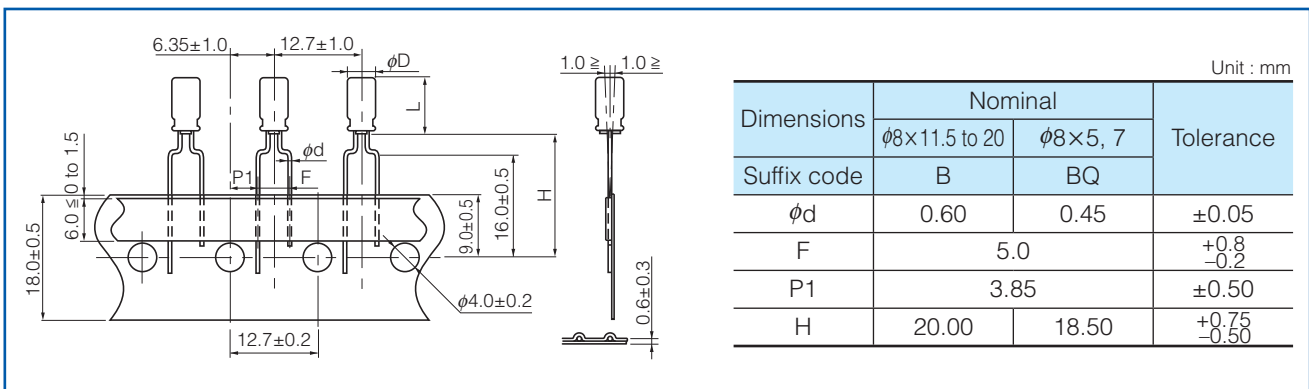


Figure F (Lead space: 5 mm / $\phi D \times L$: $\phi 10 \times 12.5$, 16, 20, 25)

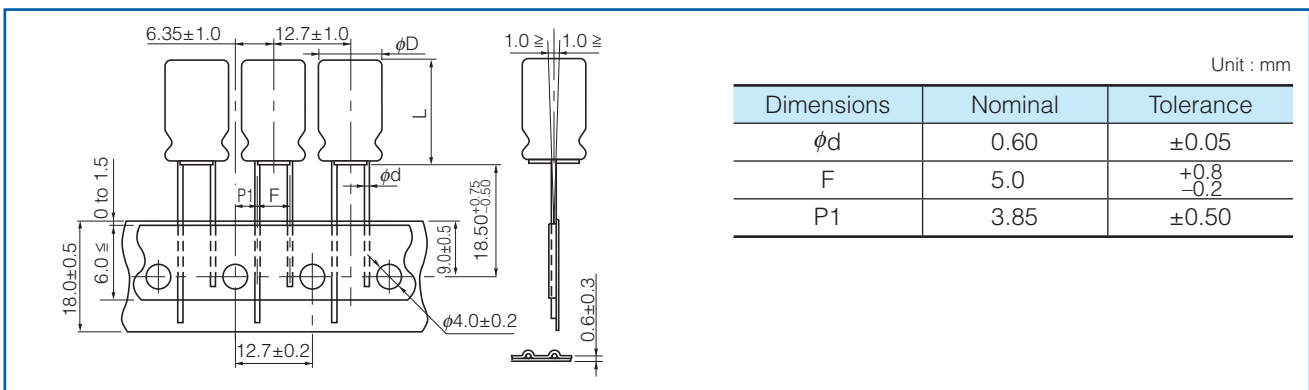


Figure G (Lead space: 5 mm / $\phi D \times L$: $\phi 12.5 \times 15$, 20, 25)

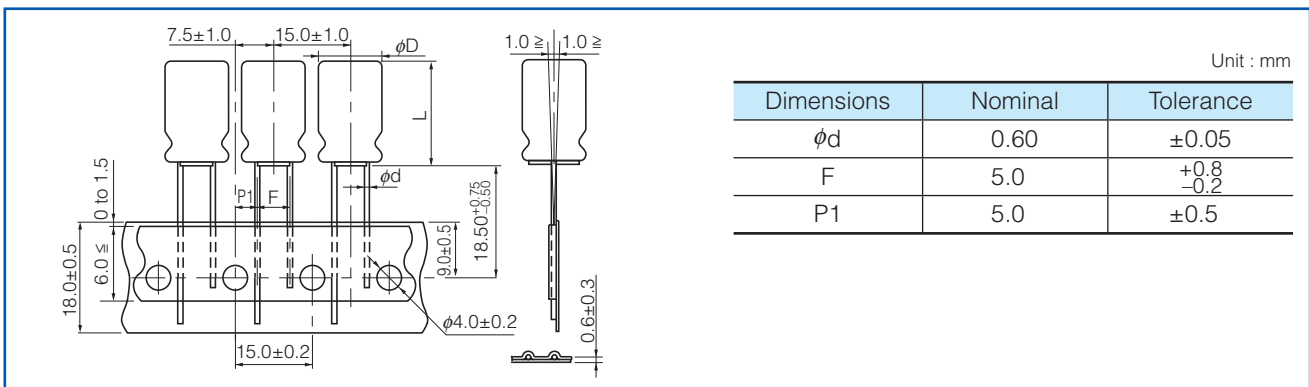
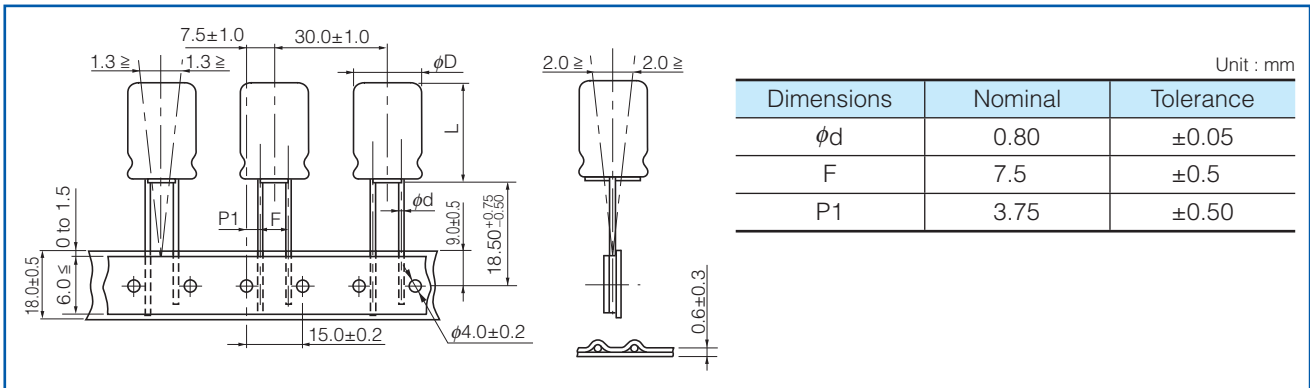


Figure H (Lead space: 7.5 mm / $\phi D \times L$: $\phi 16 \times 15, 20, 25, \phi 18 \times 15, 20, 25$)



Packaging Specifications

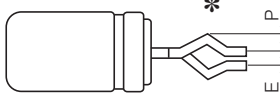
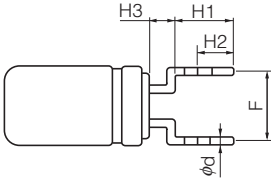
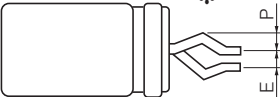
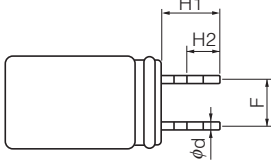
| Dimensions | Dimensions of outer carton box | | | | |
|--------------------|--------------------------------|------------|------------|-----------------|-----------------|
| | φ4 to φ5 | φ6.3 | φ8 | φ10, φ12.5 | φ16, φ18 |
| a | 340 max. | 340 max. | 340 max. | 340 max. | 340 max. |
| b | to 55 max. | to 55 max. | to 55 max. | 55 to 66 max. | 62 to 75 max. |
| c | 170 to 210 max. | 270 max. | 230 max. | 170 to 270 max. | 225 to 310 max. |
| Packaging Quantity | 2000 pcs. | 2000 pcs. | 1000 pcs. | 500 pcs. | 250 pcs. |

Unit : mm

Panasonic Aluminum Electrolytic Capacitors (Radial Lead Type)

Lead Forming Type (Snap-in)

Lead formed Aluminium Electrolytic Capacitor for self mounting, for rationalization and upgrade of soldering process.

| ϕD | Dimensions | |
|------------------|---|---|
| 4, 5, 6.3, 8 |  |  |
| 10, 12.5, 16, 18 |  |  |

* Direction of bending shape is not specified

Dimensions

Unit : mm

| ϕD | $H1 \pm 0.5$ | H2 | H3 | $F \pm 0.5$ | P | E max. | ϕd | for PWB | |
|----------|--------------|-----|-----|-------------|-----------|--------|-----------|------------------|-----------|
| | | | | | | | | hole dia. ϕ | thickness |
| 5 | 4.5 | 2.7 | 2.5 | 5.0 | 1.0 | 1.0 | 0.5 | 0.9 | 1.6 |
| 6.3 | 4.5 | 2.7 | 2.5 | 5.0 | 1.0 | 1.0 | 0.5 | 1.0 | 1.6 |
| 8 | 4.5 | 2.7 | 2.5 | 5.0 | 1.0 | 1.0 | 0.6 | 1.0 | 1.6 |
| 10 | 4.5 | 2.7 | – | 5.0 | 1.0 | 1.0 | 0.6 | 1.0 | 1.6 |
| 12.5 | 4.5 | 2.7 | – | 5.0 | 1.0 / 0.9 | 1.0 | 0.6 / 0.8 | 1.0 / 1.1 | 1.6 |
| 16 | 4.5 | 2.7 | – | 7.5 | 0.9 | 1.0 | 0.8 | 1.1 | 1.6 |
| 18 | 4.5 | 2.7 | – | 7.5 | 0.9 | 1.0 | 0.8 | 1.1 | 1.6 |

Series KA/KS Dimensions

Unit : mm

| ϕD | $H1 \pm 0.5$ | H2 | $H3 \pm 0.3$ | $F \pm 0.5$ | P | E max. | ϕd | for PWB | |
|----------|--------------|-----|--------------|-------------|------|--------|----------|------------------|-----------|
| | | | | | | | | hole dia. ϕ | thickness |
| 4 | 4.5 | 2.7 | 1.5 | 5.0 | 0.95 | 1.0 | 0.45 | 0.9 | 1.6 |
| 5 | 4.5 | 2.7 | 1.5 | 5.0 | 0.95 | 1.0 | 0.45 | 0.9 | 1.6 |
| 6.3 | 4.5 | 2.7 | 1.5 | 5.0 | 0.95 | 1.0 | 0.45 | 0.9 | 1.6 |
| 8 | 4.5 | 2.7 | 1.5 | 5.0 | 0.95 | 1.0 | 0.45 | 0.9 | 1.6 |