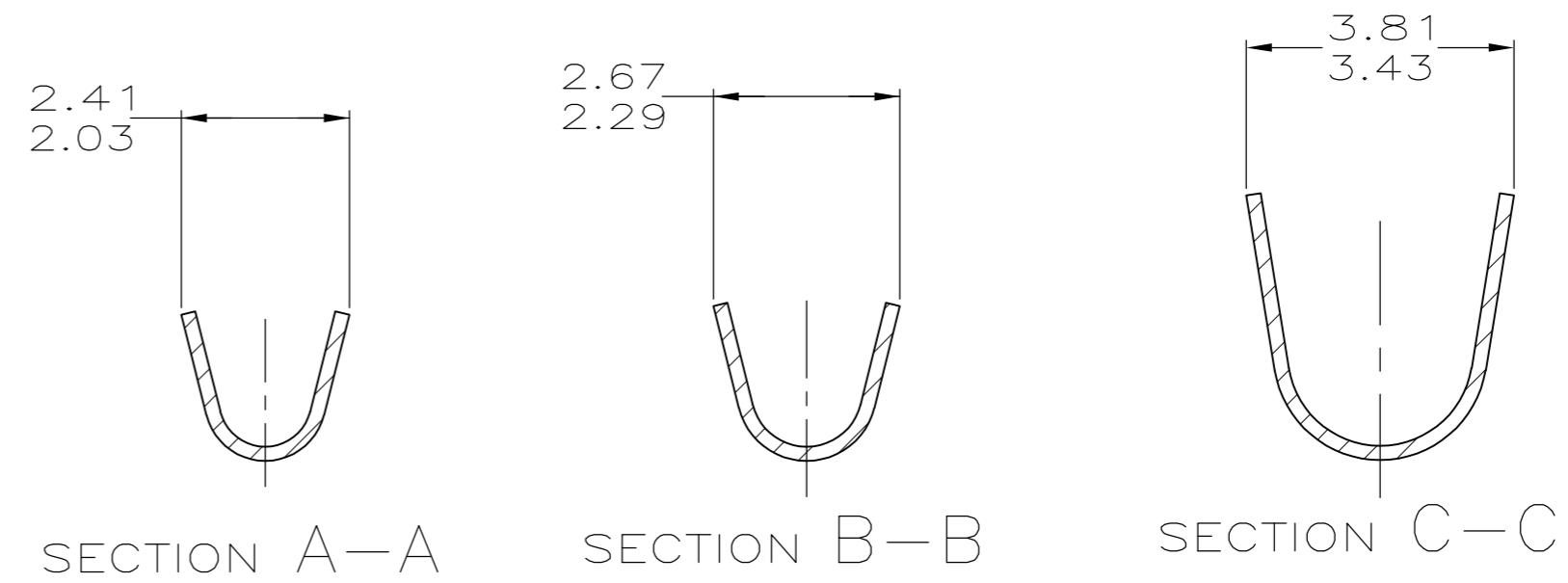
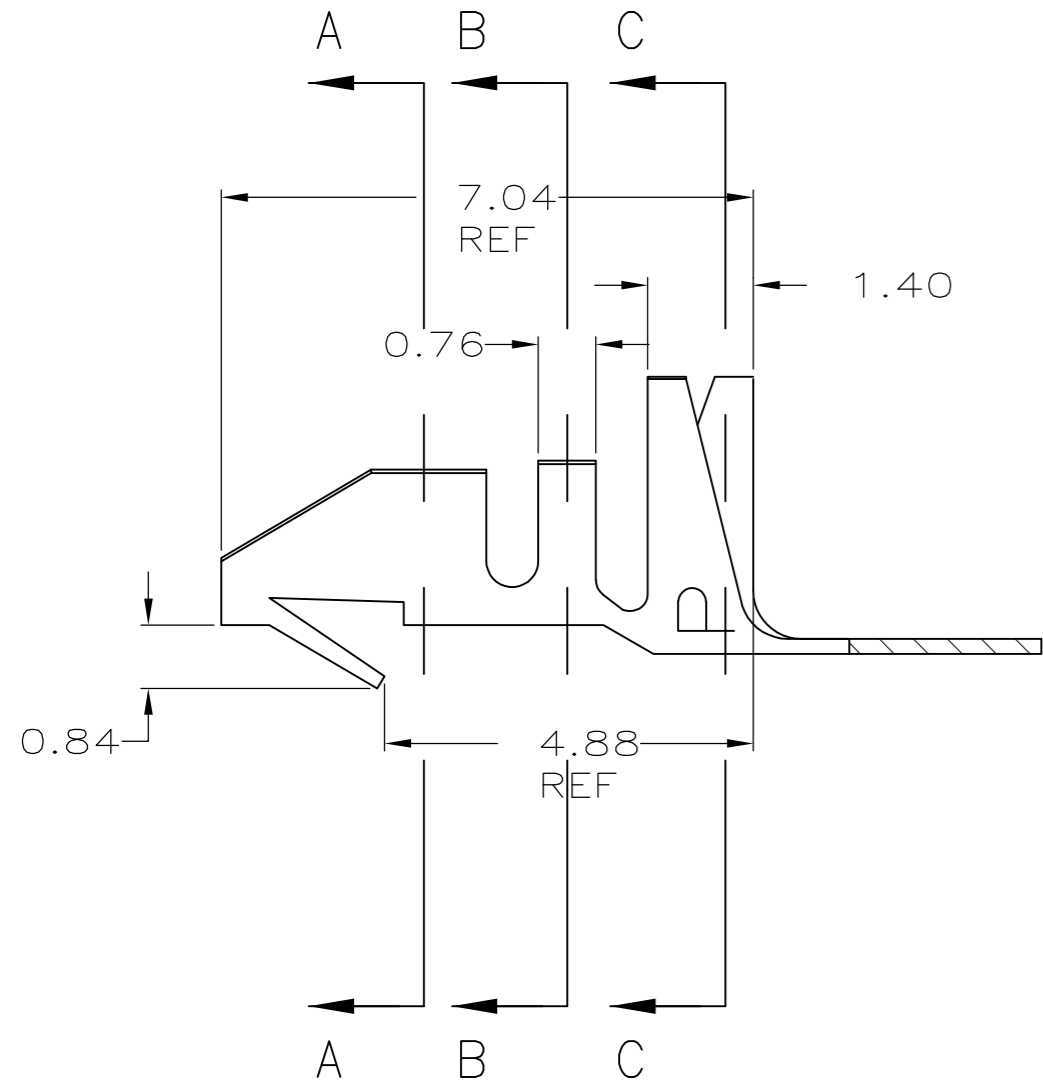
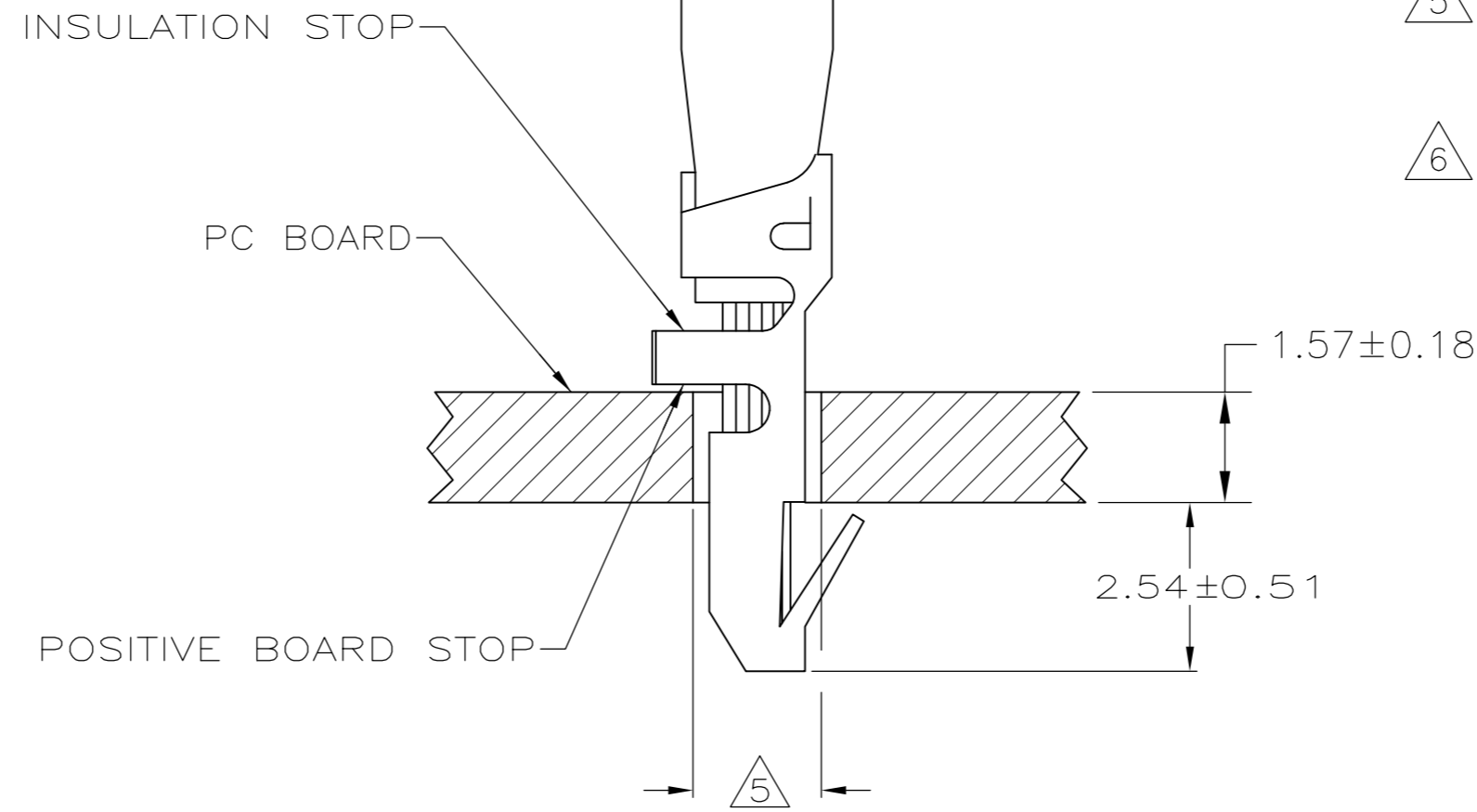
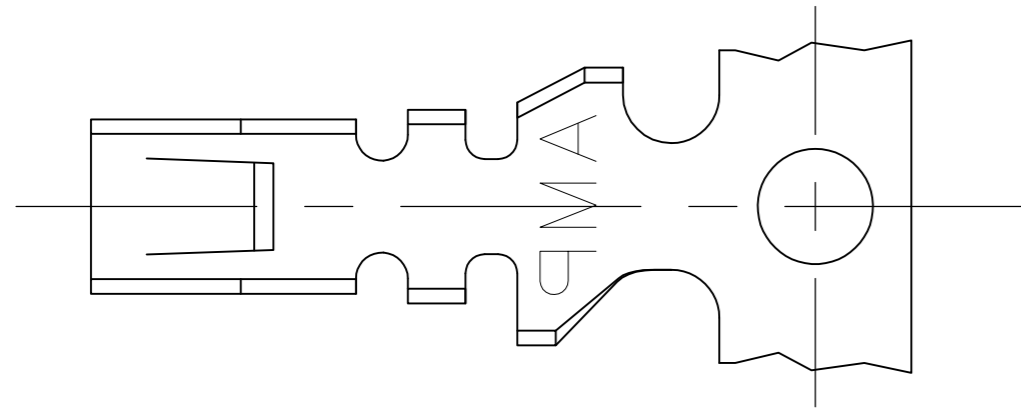


THIS DRAWING IS UNPUBLISHED. RELEASED FOR PUBLICATION
 © COPYRIGHT - By - ALL RIGHTS RESERVED.

| LOC | | DIST | | REVISIONS | | | |
|-----|-----|-------------|---------------------------|-----------|-----|------|--|
| P | LTR | DESCRIPTION | | DATE | DWN | APVD | |
| CM | 00 | C2 | REVISED PER ECO-12-014997 | 23AUG12 | KH | SM | |

- 1 PARTS COMPLY WITH AMP SOLDERABILITY SPECIFICATION 109-11-2.
- 2 WIRE RANGE: 0.3 - 0.9 MM² (22 - 18 AWG).
- 3 INSULATION RANGE: 1.52 - 2.79
- 4 0.00508 MIN BRIGHT TIN-LEAD.
- 5 HOLE DIAMETER TO BE 1.83±0.08 FOR WIRE 0.3 - 0.6 MM² (20 - 22 AWG) OR 1.96±0.08 FOR WIRE 0.8 - 0.9 MM² (18 AWG).
- 6 0.00508 MIN BRIGHT TIN.



| | | |
|---------------|--------|------------|
| | 6 | 3-794121-1 |
| SUPERSEDED BY | 4 | -794121-1- |
| | FINISH | PART NO. |

| | | | | | | | |
|---------|---------|------|------|------|------|------|------|
| 0.51 | .020 | 1.52 | .060 | 2.54 | .100 | - | - |
| 0.3 | .01 | 1.40 | .055 | 2.41 | .095 | 7.04 | .277 |
| 0.20 | .008 | 0.9 | .04 | 2.29 | .090 | 4.88 | .192 |
| 0.18 | .007 | 0.84 | .033 | 2.03 | .080 | 3.81 | .150 |
| 0.13 | .005 | 0.8 | .03 | 1.96 | .077 | 3.43 | .135 |
| 0.08 | .003 | 0.76 | .030 | 1.83 | .072 | 2.79 | .110 |
| 0.00508 | .000200 | 0.6 | .02 | 1.57 | .062 | 2.67 | .105 |
| MM | IN | MM | IN | MM | IN | MM | IN |

CONVERSION TABLE

METRIC

| | | | | |
|--|--|----------------------------------|-------------------------------------|------------------------|
| THIS DRAWING IS A CONTROLLED DOCUMENT. | | DWN S. CARPENTER 21AUG2003 | TE TE Connectivity | |
| DIMENSIONS: mm | | CHK J. ELLIS 21AUG2003 | | |
| TOLERANCES UNLESS OTHERWISE SPECIFIED: | | APVD J. ELLIS 21AUG2003 | NAME TERMINAL, MINI AMP-IN™ 2000 | |
| 0 PLC ± | | PRODUCT SPEC 108-1081 | SIZE A2 | |
| 1 PLC ± | | APPLICATION SPEC 114-1016 | CAGE CODE 00779 | DRAWING NO C=794121 |
| 2 PLC ± 0.13 | | WEIGHT | RESTRICTED TO | |
| 3 PLC ± | | CUSTOMER DRAWING | SCALE 10:1 | SHEET 1 of 1 |
| 4 PLC ANGLES ± | | | REV C2 | |
| MATERIAL 0.20 PH BRZ | | FINISH | | |