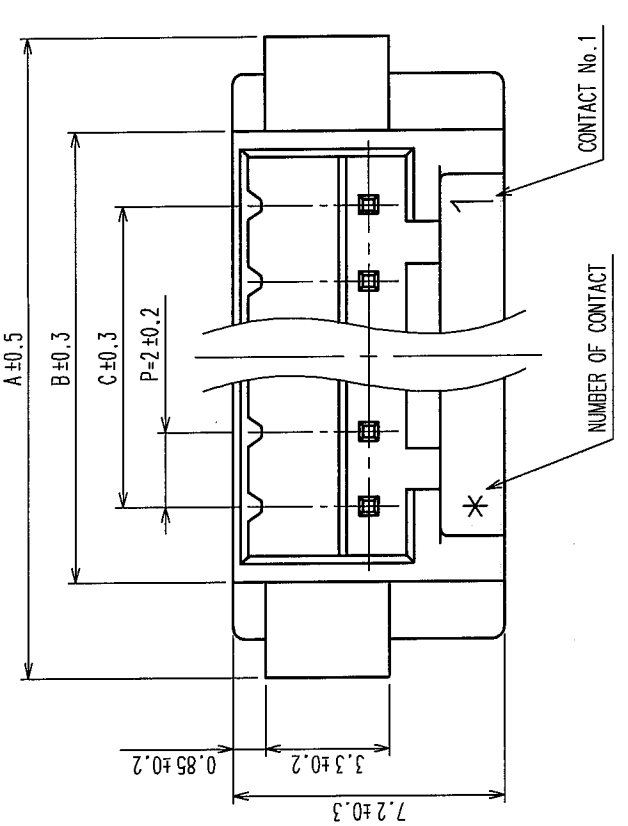
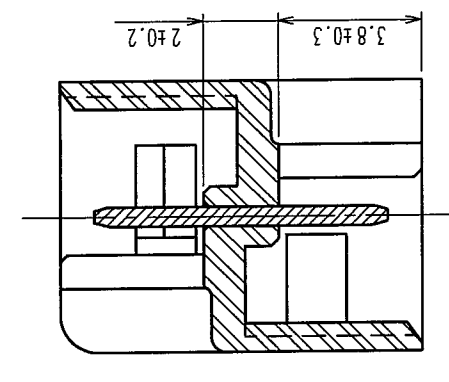


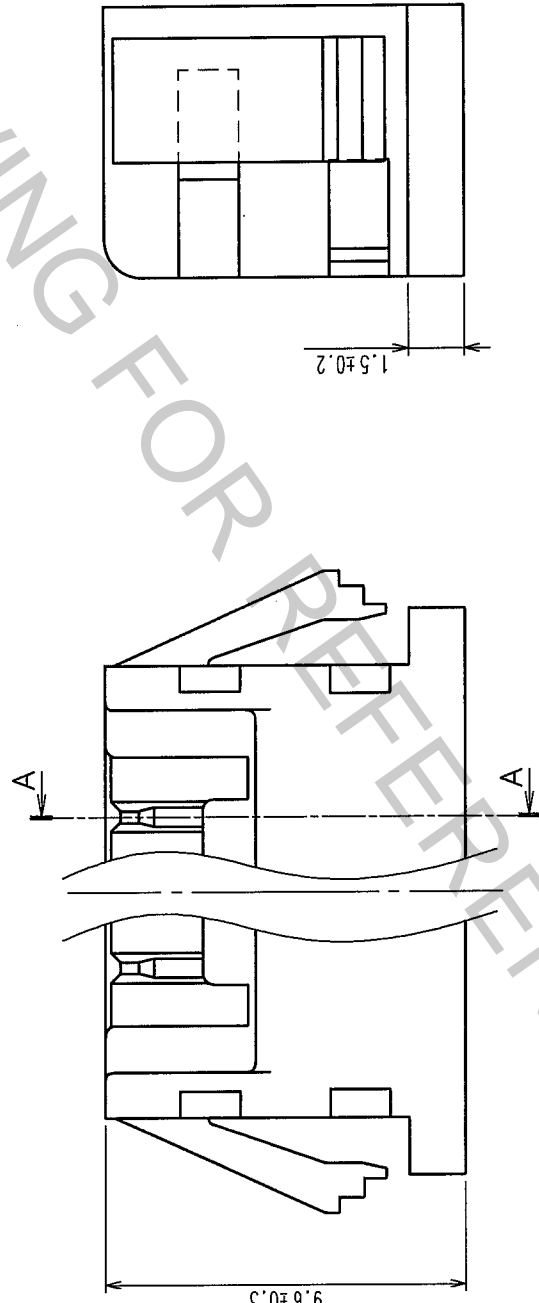
COUNT	DESCRIPTION OF REVISIONS	BY	CHKD	DATE	COUNT	DESCRIPTION OF REVISIONS	BY	CHKD	DATE
△					△				
△					△				
△					△				



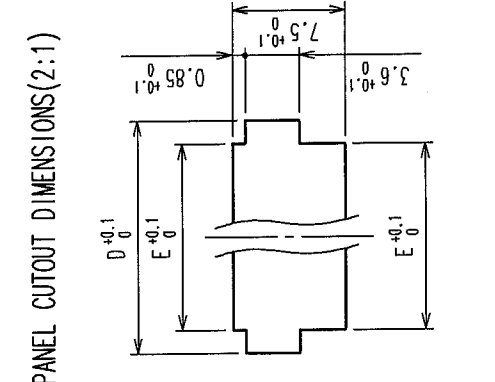
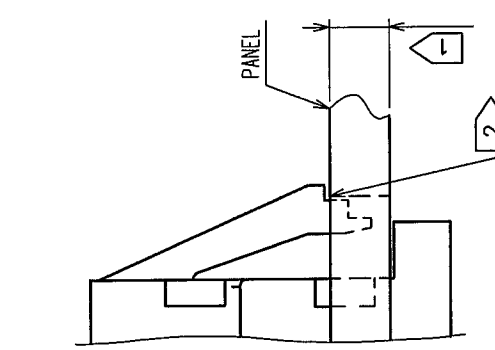
A - A



CODE No.	PART No.	CONTACTS	A	B	C	D	E
CL543-0267-0	DF3-2EP-2A	2	11	6	2	9.4	6.3
CL543-0268-2	DF3-3EP-2A	3	13	8	4	11.4	8.3
CL543-0269-5	DF3-4EP-2A	4	15	10	6	13.4	10.3
CL543-0270-4	DF3-5EP-2A	5	17	12	8	15.4	12.3
CL543-0271-7	DF3-6EP-2A	6	19	14	10	17.4	14.3
CL543-0272-0	DF3-7EP-2A	7	21	16	12	19.4	16.3
CL543-0273-2	DF3-8EP-2A	8	23	18	14	21.4	18.3
CL543-0274-5	DF3-9EP-2A	9	25	20	16	23.4	20.3
CL543-0275-8	DF3-10EP-2A	10	27	22	18	25.4	22.3
CL543-0276-0	DF3-11EP-2A	11	29	24	20	27.4	24.3
CL543-0277-3	DF3-12EP-2A	12	31	26	22	29.4	26.3
CL543-0278-6	DF3-13EP-2A	13	33	28	24	31.4	28.3
CL543-0279-9	DF3-14EP-2A	14	35	30	26	33.4	30.3
CL543-0280-8	DF3-15EP-2A	15	37	32	28	35.4	32.3

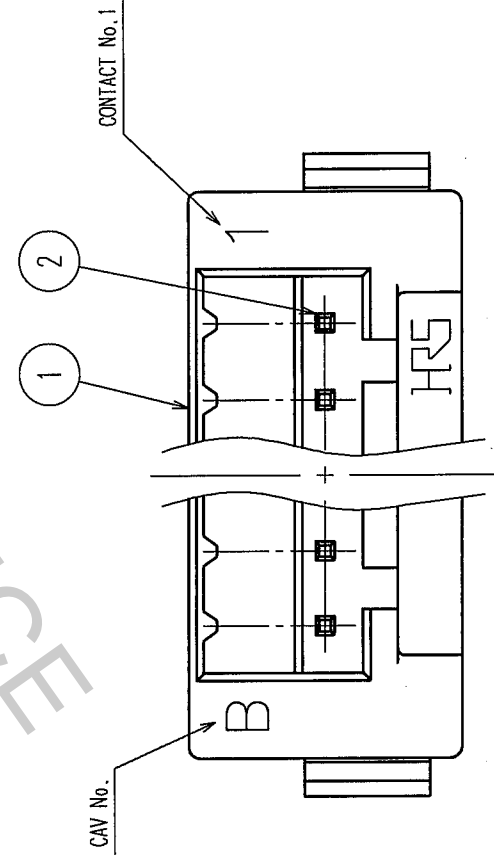


A



PANEL CUTOUT DIMENSIONS(2:1)

NOTE 1 > APPLICABLE PANEL THICKNESS : 1.6~0.8mm  
 (NOTE THAT SOME LOOSENESS IS UNAVOIDABLE WHEN THE PLUGS ARE MOUNTED ON A PANEL OF OTHER THAN 1.6 OR 2.2mm THICKNESS.)  
 NOTE 2 > USE THE SHARP EDGE FOR ENGAGEMENT WITH THE PANEL.



NO.	MATERIAL	FINISH, REMARKS	NO.	MATERIAL	FINISH, REMARKS
1	POLYAMIDE	UL94V-0, BLACK	2	BRASS	SURFACE: TIN PLATING 1μm min UNDER PLATING: NICKEL PLATED 0.5μm min

CODE NO. (OLD)	CL	DRAWN	DESIGNED	CHECKED	APPROVED	RELEASED
		J. Sanyouji	S. Sanyouji	T. Miyagaki	T. Sano	
		04.03.08	04.03.08	04.03.08	04.03.09	

DRAWING NO.	PART NO.
EDC3-306189-01	DF3-*EP-2A

SCALE	UNITS	ITEM
5:1	mm	

CODE NO.	CL
CL543-	

TO