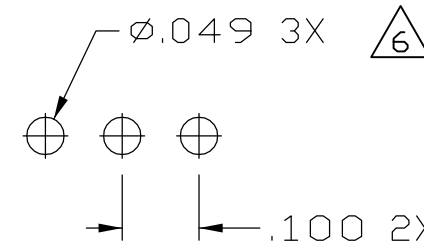
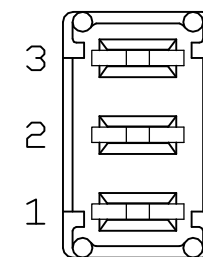
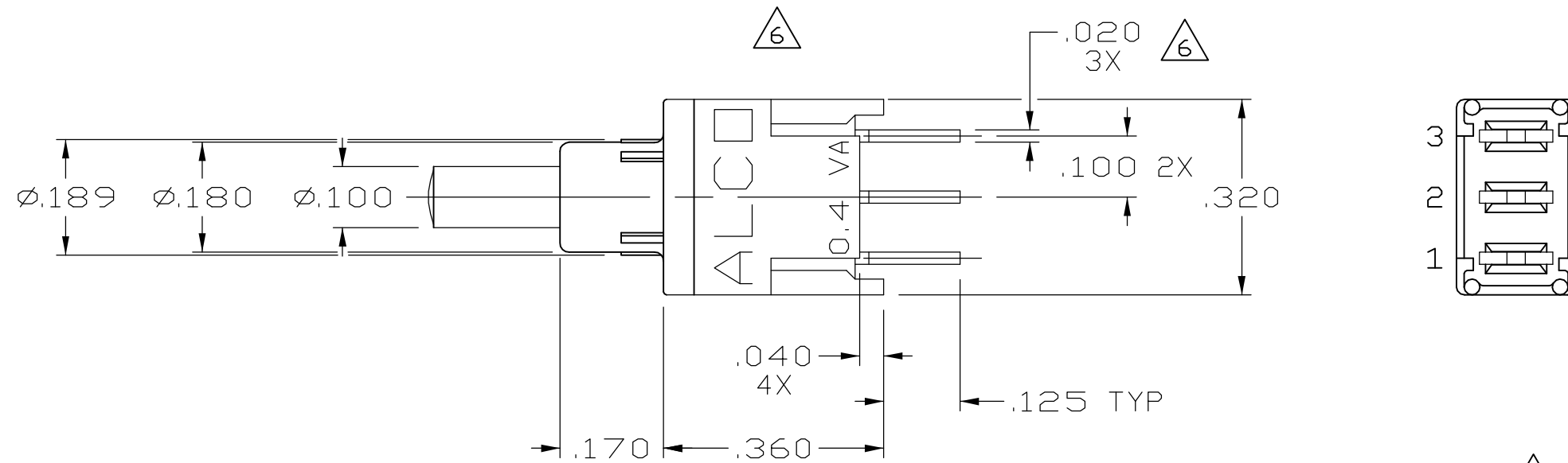
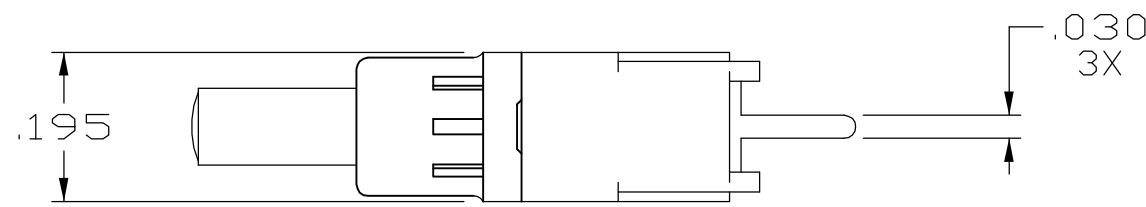


CONVERSION CHART		CONVERSION CHART	
INCH	MM	INCH	MM
.002	0,05	.374	9,49
.005	0,12	.396	10,06
.008	0,20	.400	10,16
.010	0,25	.524	13,31
.014	0,36		
.018	0,44		
.020	0,52		
.028	0,71		
.030	0,76		
.035	0,89		
.040	1,02		
.043	1,09		
.045	1,14		
.060	1,52		
.065	1,65		
.076	1,94		
.082	2,08		
.090	2,29		
.094	2,39		
.100	2,54		
.110	2,80		
.120	3,05		
.125	3,18		
.126	3,19		
.130	3,30		
.155	3,94		
.156	3,96		
.160	4,06		
.162	4,11		
.170	4,32		
.180	4,57		
.189	4,80		
.195	4,95		
.200	5,08		
.230	5,84		
.240	6,10		
.300	7,62		
.320	8,13		
.360	9,14		
.362	9,19		
.370	9,40		



PC PC MOUNT

TOLERANCES FOR ALL PCB LAYOUT DIMENSIONS TO BE ±.002

SPECIFICATIONS:

MATERIALS:
CASE: HIGH TEMPERATURE POLYESTER.
ACTUATOR: POLYAMIDE
MOVING CONTACT: COPPER ALLOY, GOLD PLATE OVER NICKEL.
FIXED CONTACT: COPPER ALLOY, GOLD PLATE OVER NICKEL.
TERMINALS: COPPER ALLOY, TIN-LEAD PLATE.

ELECTRICAL:
CONTACT RATING: 0.4VA @ 20 VAC/DC
INITIAL CONTACT RESISTANCE: 20 MILLIOHMS MAX.
INSULATION RESISTANCE: 1000 MEGOHMS @ 500V DC MIN.
DIELECTRIC STRENGTH: **C** 1000 VOLTS RMS AT SEA LEVEL.
F 500 VOLTS RMS AT SEA LEVEL.

LIFE EXPECTANCY: **C** 80,000 CYCLES
F 60,000 CYCLES.

MECHANICAL:
ACTUATION TRAVEL: .035

ENVIRONMENTAL:
OPERATING TEMPERATURE: -22°F TO +185°F
(-30°C TO +85°C)
STORAGE TEMPERATURE: -67°F TO +185°F
(-55°C TO +85°C)

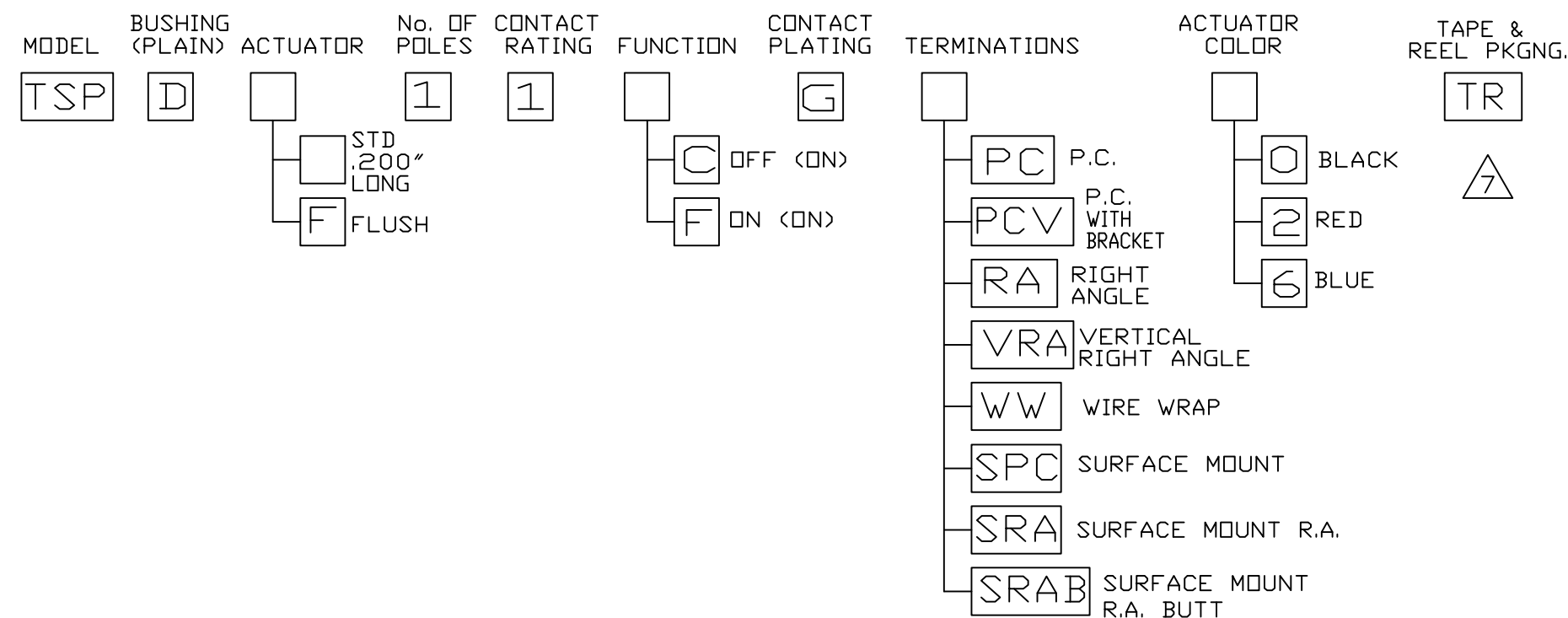
NOTES:

1. INTERPRET DRAWING PER ASME Y14.5M-1994.

FIGURE I

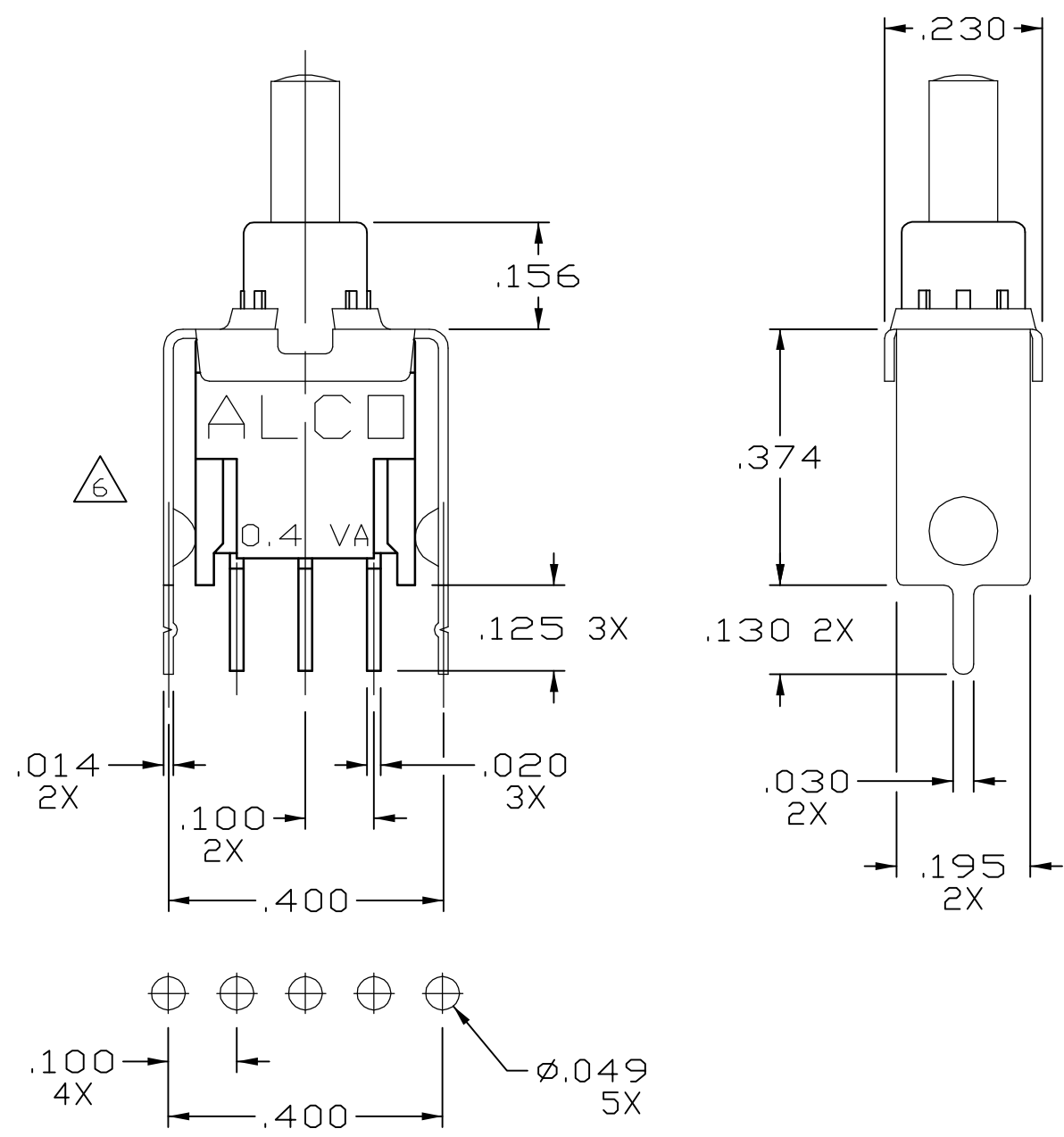
FUNCTION CHART			
THE FOLLOWING FUNCTIONS AVAILABLE IN SINGLE POLE.			
C 2 POSITIONS	OFF	<ON>	
TERMINALS CONNECTED:		1-3	
OMIT CENTER TERMINAL FOR FUNCTION C			
F 2 POSITIONS	ON	<ON>	
TERMINALS CONNECTED:		1-2 2-3	
		OFF INDICATES A MECHANICAL POSITION WITH NO ELECTRICAL CONNECTION.	
		<ON> INDICATES MOMENTARY ACTION	

PART NUMBERING SEQUENCE

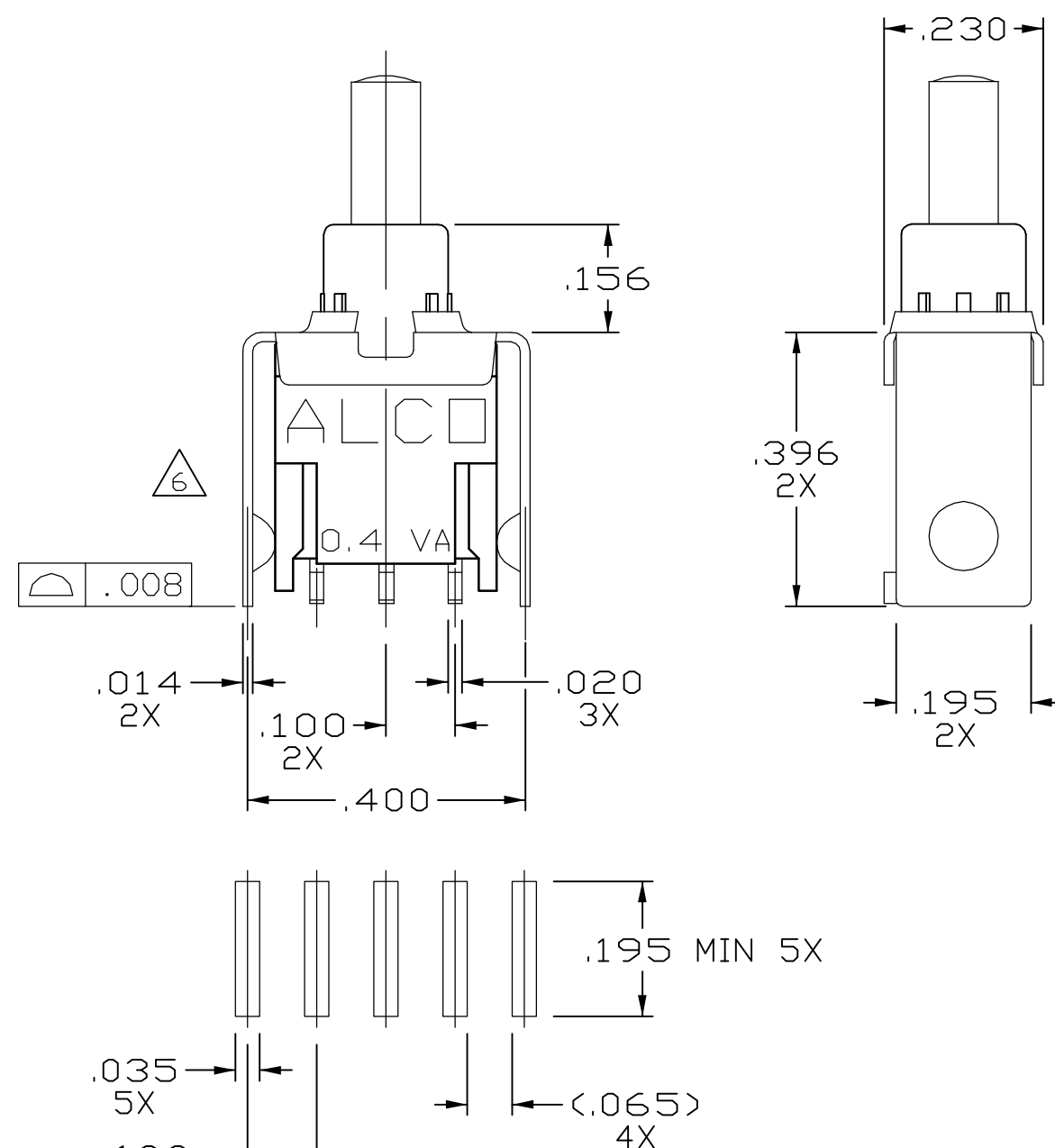


REV	G
REVISIONS	REV PER EC 0G3C-0211-05 DATE: 19MARCH2007 APP'D: MZ

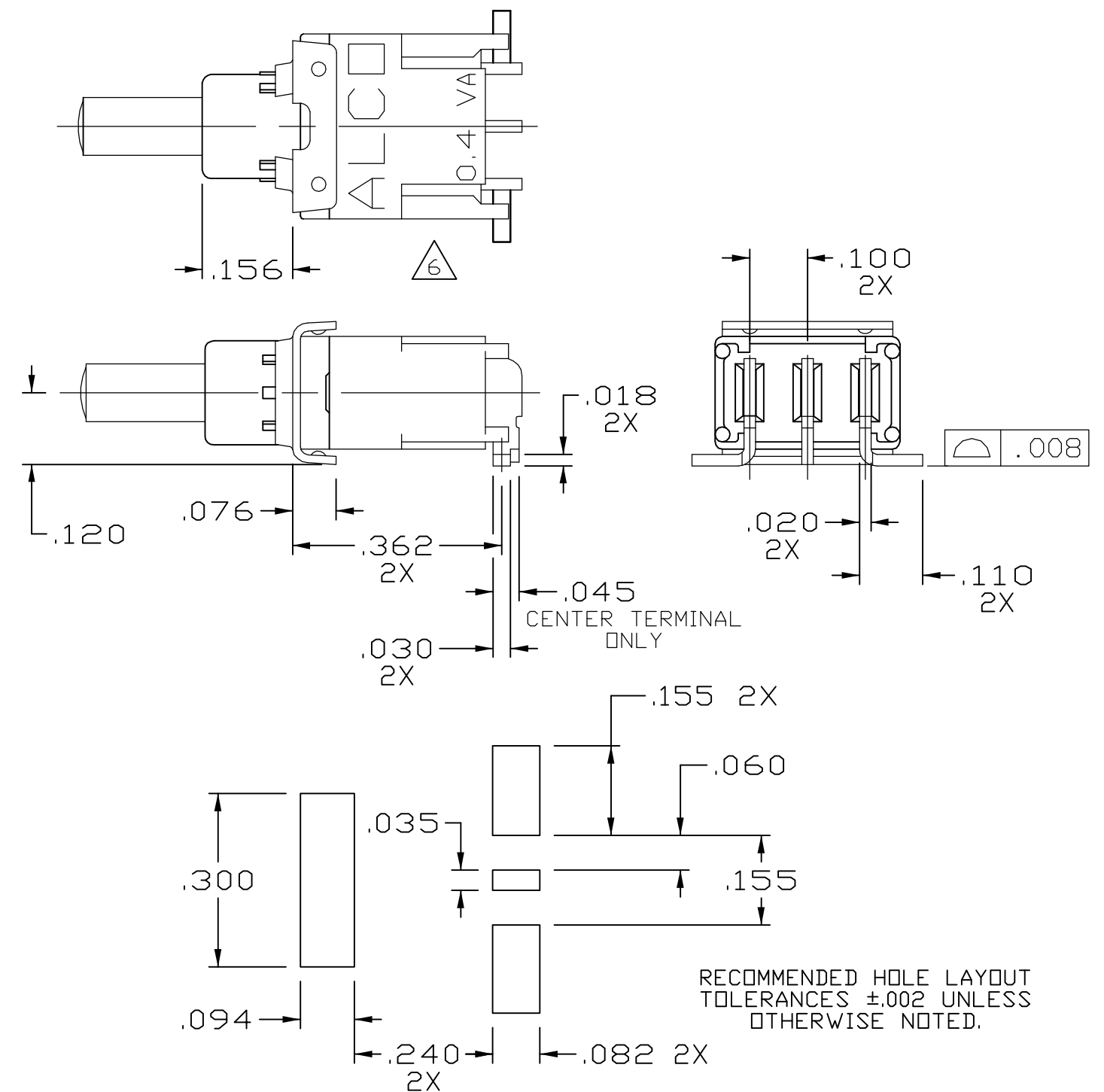
THIRD ANGLE PROJECTION TOLERANCES (EXCEPT AS NOTED) ANGULAR = ±1° DECIMAL .XX = DECIMAL .XXX = ±.010 DECIMAL .XXXX =	UNLESS OTHERWISE SPECIFIED DIMENSIONS ARE IN INCHES DO NOT SCALE PRINT	ORIGINAL DATE OF DRAWING: 9-19-90	TYCO ELECTRONICS TITLE: OUTLINE DRAWING SEALED PUSHBUTTON SWITCH SINGLE POLE TSP SERIES DWG. NO. 1-1437573-1 (WAS 40287) PRODUCT CODE: B53 SCALE: 4:1 SHEET 1 OF 4
	FILE NAME: 40287S1L DIRECTORY: PSHSWTCH	DRAWN: C.M.M. DATE: 9-19-90	
	MATERIAL: SEE SPECIFICATIONS	CHECKED: B.J.A. DATE: 12-20-90	
	FINISH: SEE NOTES	APPROVED: B.J.A. DATE: 12-20-90	
	CODE IDENT. NO. 91506 DWG. SIZE C		
	NEXT ASSY:		



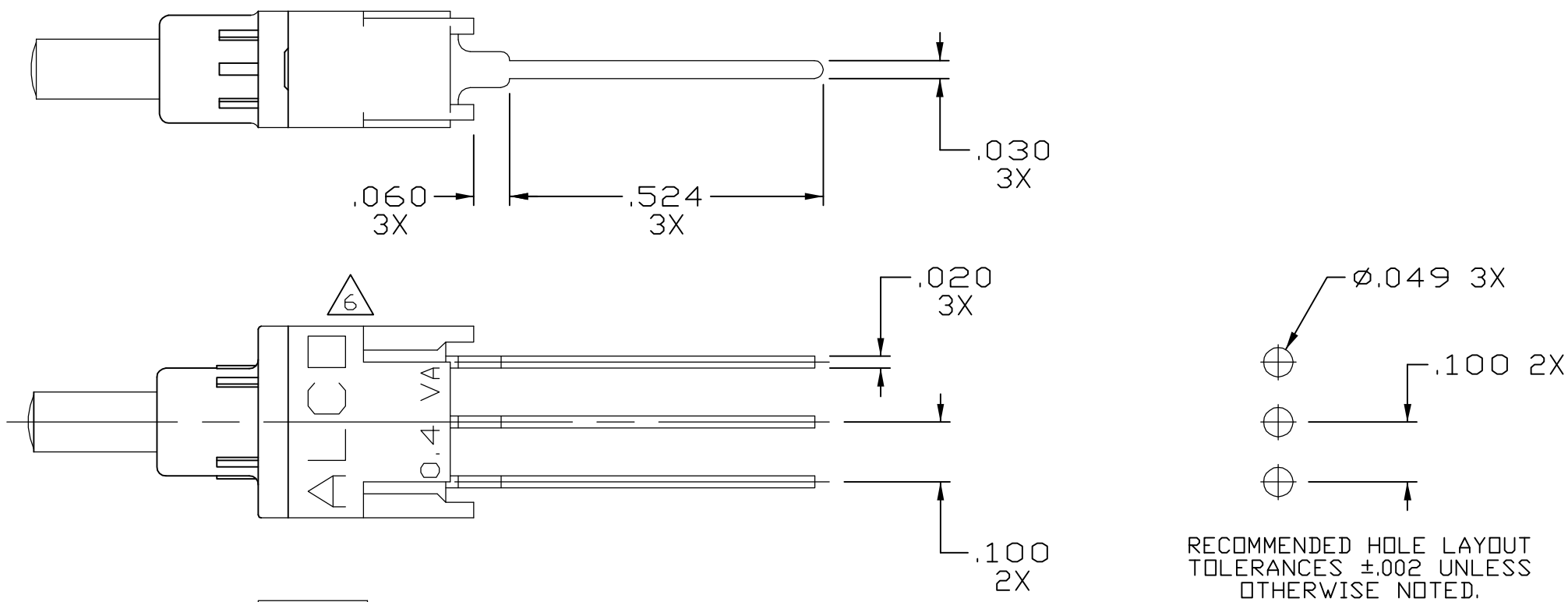
PCV PC WITH VERTICAL SUPPORT BRACKET



SPC SURFACE MOUNT

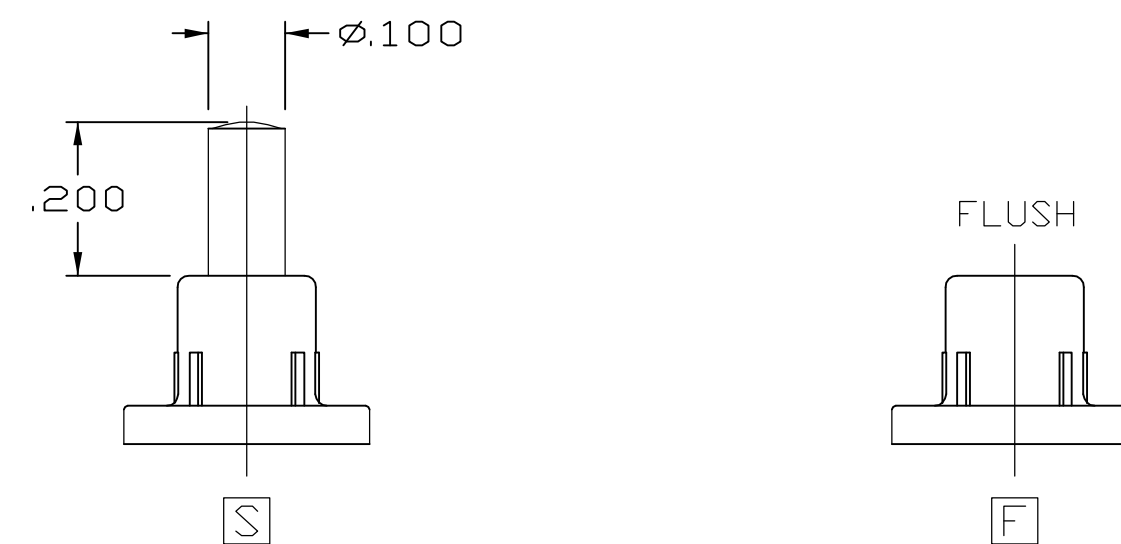
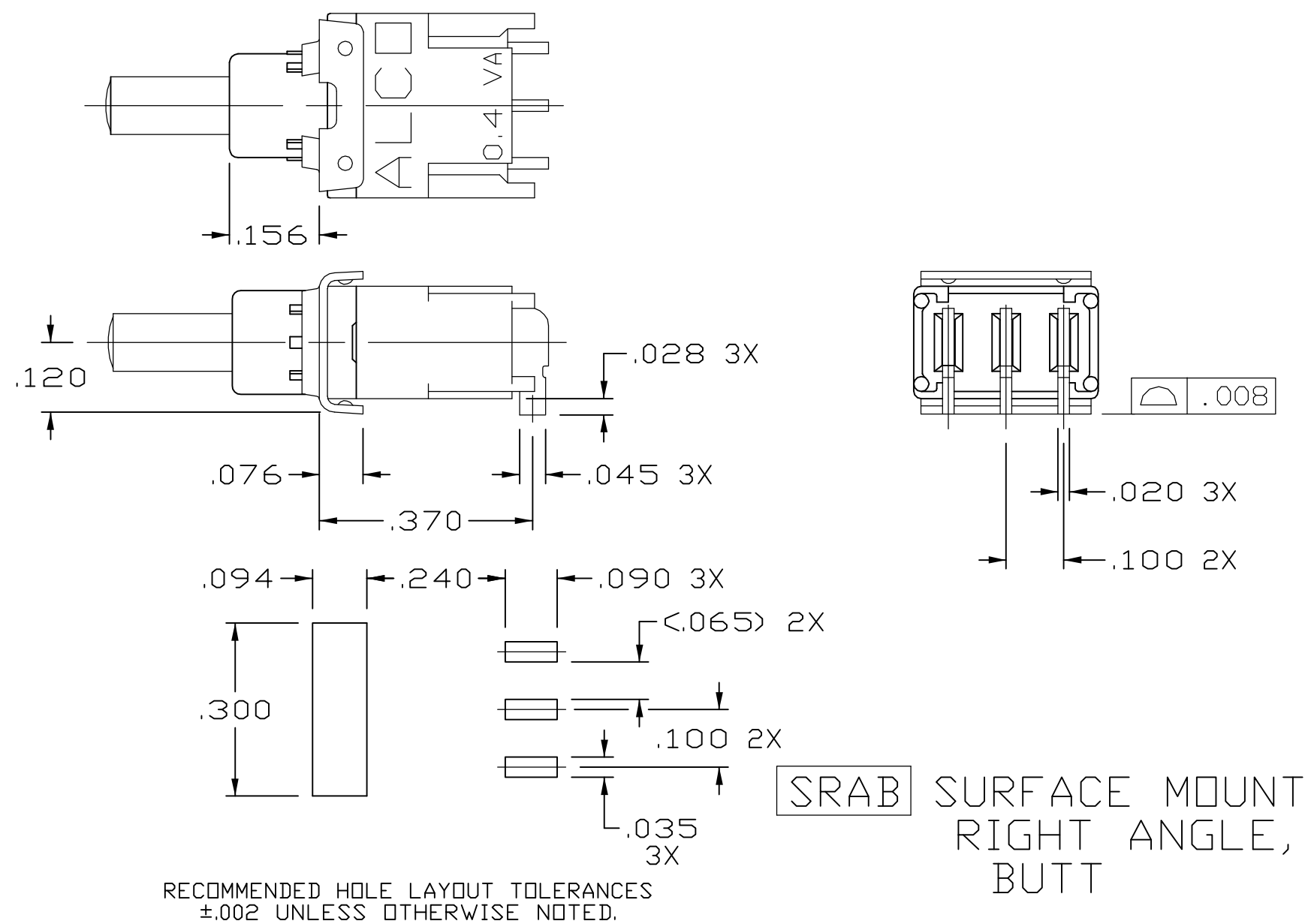
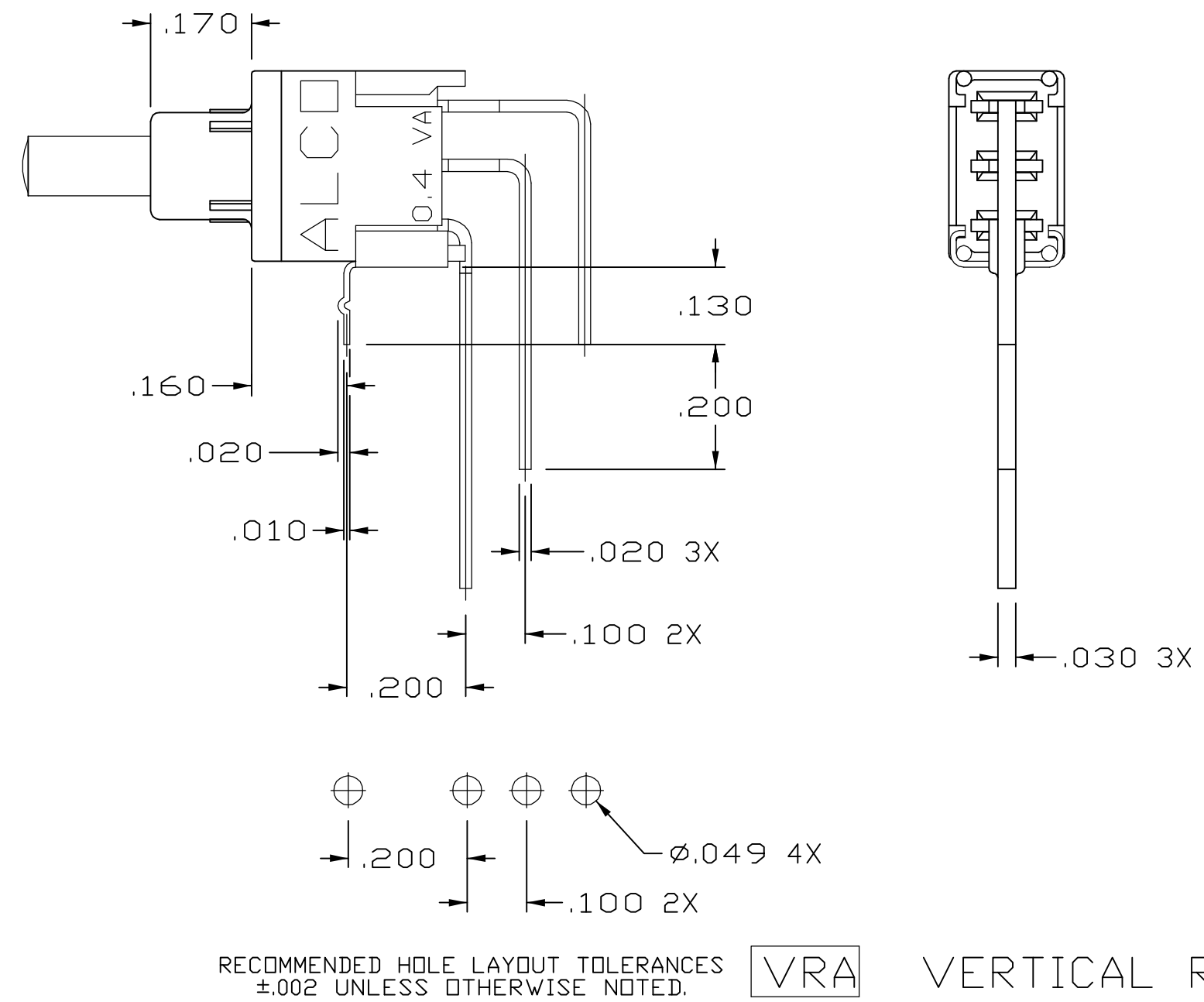
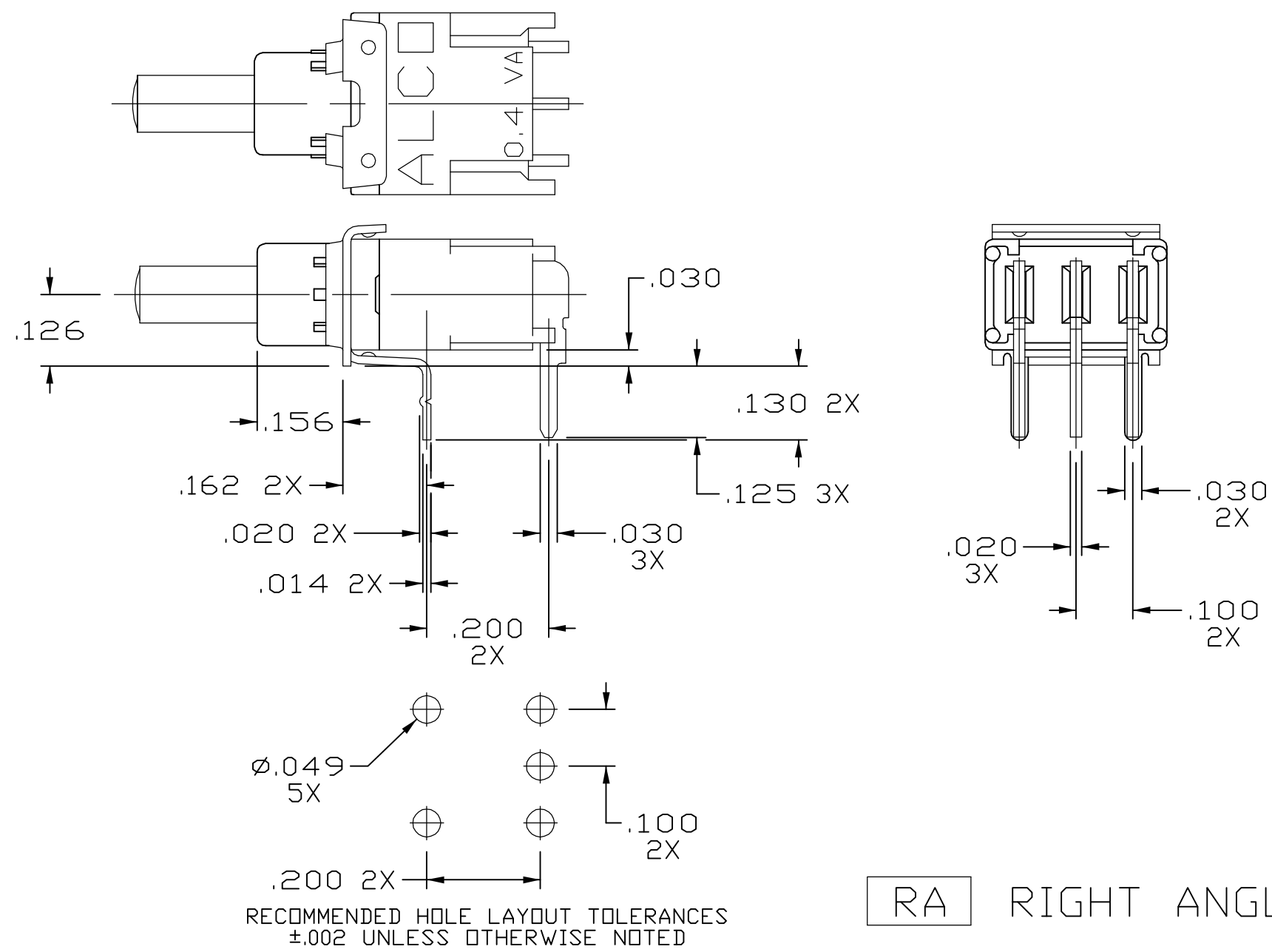


SRA SURFACE MOUNT RIGHT ANGLE, "L" BEND



WW WIRE WRAP

REV	SEE SHEET #1	THIRD ANGLE PROJECTION	UNLESS OTHERWISE SPECIFIED DIMENSIONS ARE IN INCHES DO NOT SCALE PRINT		ORIGINAL DATE OF DRAWING: 9-19-90	TYCO ELECTRONICS	
			FILE NAME: 40287S2L	DIRECTORY: PSHSWTCH	DRAWN: C.M.M.	DATE: 9-19-90	TITLE: OUTLINE DRAWING SEALED PUSHBUTTON SWITCH SINGLE POLE TSP SERIES
REVISIONS			MATERIAL: SEE SPECIFICATIONS SHEET 1 OF 3		CHECKED: B.J.A.	DATE: 12-20-90	DWG. NO. 1-1437573-1
			FINISH: SEE NOTES SHEET 1 OF 3		APPROVED: B.J.A.	DATE: 12-20-90	
			CODE IDENT. NO. 91506		DWG. SIZE C	SCALE: 4:1 SHEET 2 OF 4	



ACTUATORS

REV	SEE SHEET #1
REVISIONS	

<p>THIRD ANGLE PROJECTION</p>	
<p>TOLERANCES (EXCEPT AS NOTED) ANGULAR = $\pm 1^\circ$ DECIMAL .XX = $\pm .010$ DECIMAL .XXX = $\pm .001$ DECIMAL .XXXX = $\pm .0005$</p>	

UNLESS OTHERWISE SPECIFIED DIMENSIONS ARE IN INCHES DO NOT SCALE PRINT	
FILE NAME: 40287S3L	DIRECTORY: PSHSWTCH
MATERIAL: SEE SPECIFICATIONS SHEET 1	
FINISH: SEE NOTES SHEET 1	

ORIGINAL DATE OF DRAWING: 9-19-90
DRAWN: C.M.M. DATE: 9-19-90
CHECKED: B.J.A. DATE: 12-20-90
APPROVED: B.J.A. DATE: 12-20-90
CODE IDENT. NO. 91506 DWG. SIZE C
NEXT ASSY:

TYCO ELECTRONICS	
TITLE: OUTLINE DRAWING SEALED PUSHBUTTON SWITCH SINGLE POLE TSP SERIES	
DWG. NO. 1-1437573-1	REV. G
(WAS 40287)	
PRODUCT CODE: B53	
SCALE: 4:1	SHEET 3 OF 4

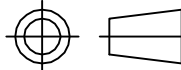
4

3

2

1

TSPD11CGPC0	1-1437573-1	
TSPD11CGPC2	1-1437573-3	
TSPD11CGPCV0	1-1437573-4	
TSPD11CGRA0	1-1437573-5	
TSPD11CGRA2	1-1437573-7	
TSPD11CGRA6	4-1437573-2	
TSPD11CGSPC0	1-1437573-8	OBSOLETE
TSPD11CGSPC2	1571210-1	PRELIMINARY PART
TSPD11CGSRA0TR	1571733-1	
TSPD11CGSRA0	1-1437573-9	
TSPD11CGSRA2	2-1437573-0	
TSPD11CGSRAB0	2-1437573-1	OBSOLETE
TSPD11CGVRA0	2-1437573-2	
TSPD11CGWW0	2-1437573-3	
TSPD11FGPC0	2-1437573-4	
TSPD11FGPCV0	2-1437573-5	
TSPD11FGRA0	2-1437573-6	
TSPD11FGSPC0	2-1437573-7	OBSOLETE
TSPD11FGSRA0	2-1437573-8	OBSOLETE
TSPD11FGSRAB0	2-1437573-9	OBSOLETE
TSPD11FGVRA0	3-1437573-0	
TSPDF11CGPC0	3-1437573-1	
TSPDF11CGSRAB0TR	1571460-1	OBSOLETE
TSPDF11CGSRA0TR	1571533-1	
TSPDF11CGRA0	3-1437573-2	
TSPDF11CGSRA0	3-1437573-3	
TSPDF11CGVRA0	3-1437573-4	
TSPDF11FGPC0	3-1437573-5	
TSPDF11FGRA0	3-1437573-6	
TSPDF11FGSRA0	3-1437573-7	OBSOLETE
TSPDF11FGVRA0	1571369-1	PRELIMINARY PART
Model Number	Part Number	

REV REVISIONS	SEE SHEET #1	 THIRD ANGLE PROJECTION TOLERANCES (EXCEPT AS NOTED) ANGULAR = ±1° DECIMAL .XX = DECIMAL .XXX = ±.010 DECIMAL .XXXX =	UNLESS OTHERWISE SPECIFIED DIMENSIONS ARE IN INCHES DO NOT SCALE PRINT		ORIGINAL DATE OF DRAWING: 9-19-90		TYCO ELECTRONICS			
			FILE NAME: 40287S3L	DIRECTORY: PSHSWTCH	DRAWN: C.M.M.	DATE: 9-19-90	TITLE: OUTLINE DRAWING SEALED PUSHBUTTON SWITCH SINGLE POLE TSP SERIES			
			MATERIAL: SEE SPECIFICATIONS SHEET 1		CHECKED: B.J.A.	DATE: 12-20-90				
			FINISH: SEE NOTES SHEET 1		APPROVED: B.J.A.	DATE: 12-20-90	DWG. NO. 1-1437573-1	REV. G		
				CODE IDENT. NO. 91506	DWG. SIZE C	PRODUCT CODE: B53				
				NEXT ASSY:		SCALE: 4:1		SHEET 4 OF 4		

4

3

2

CUSTOMER DRAWING 1