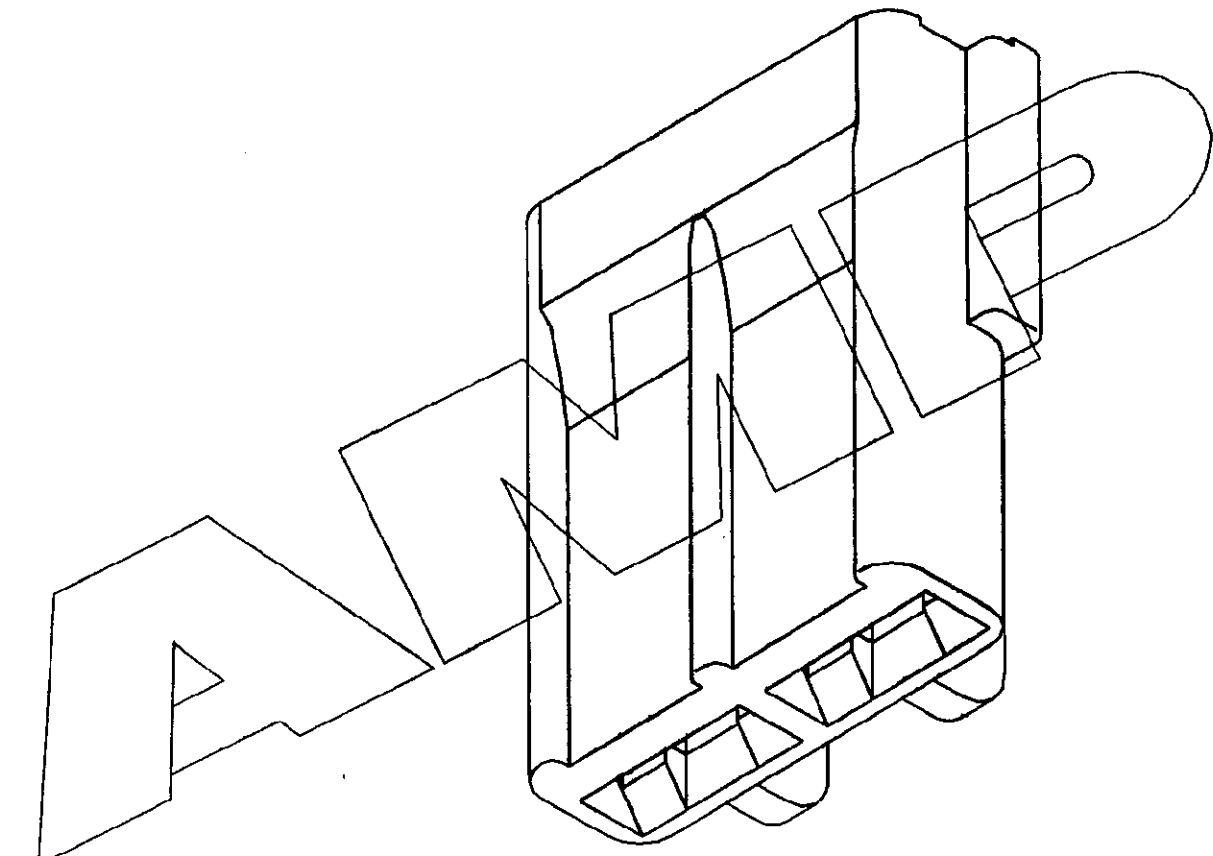
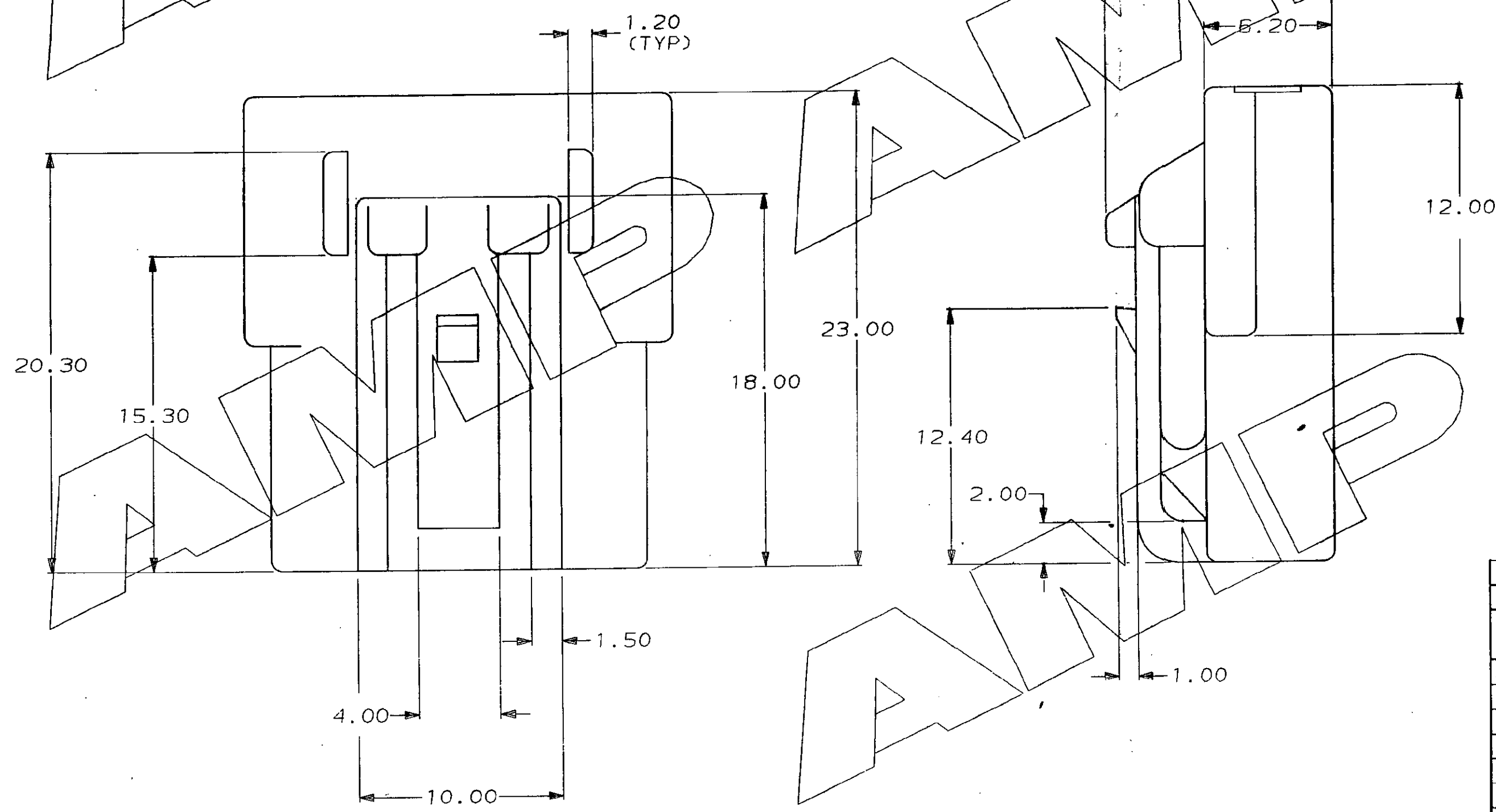
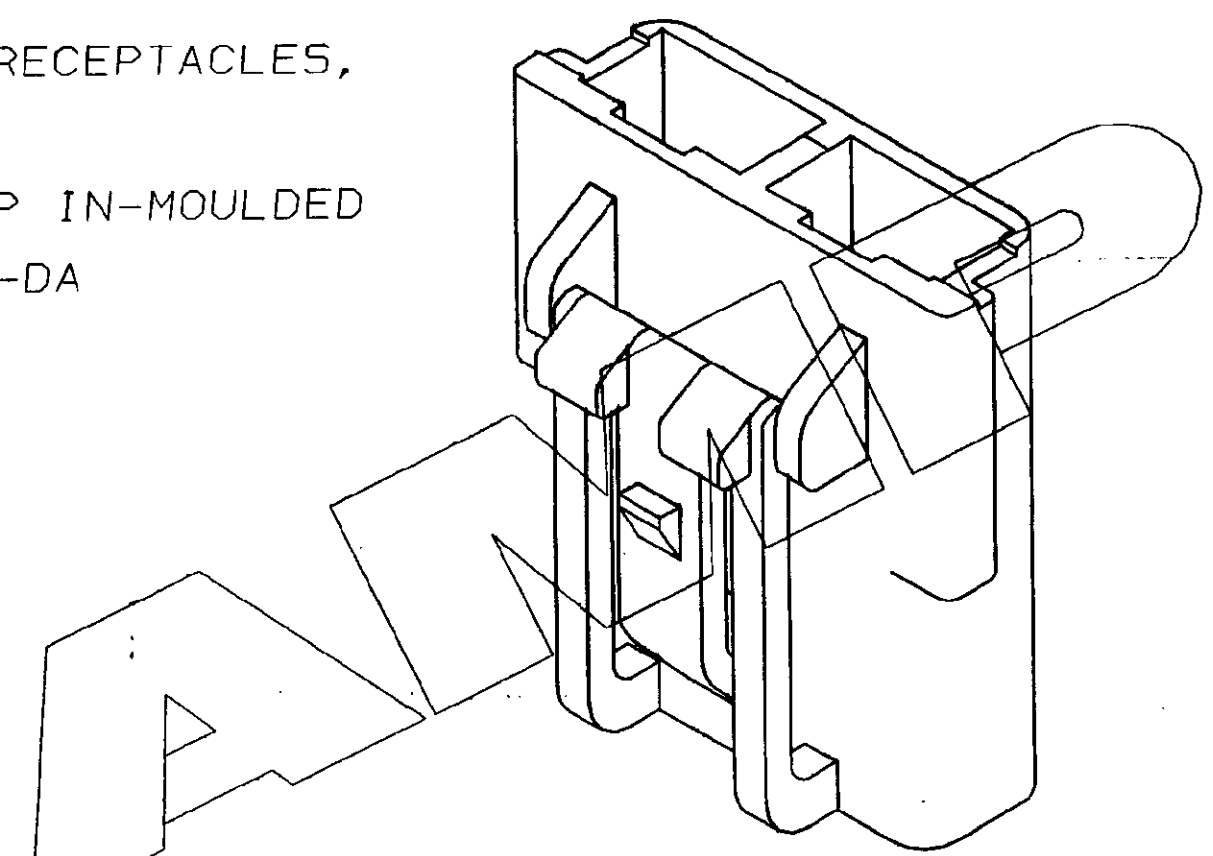
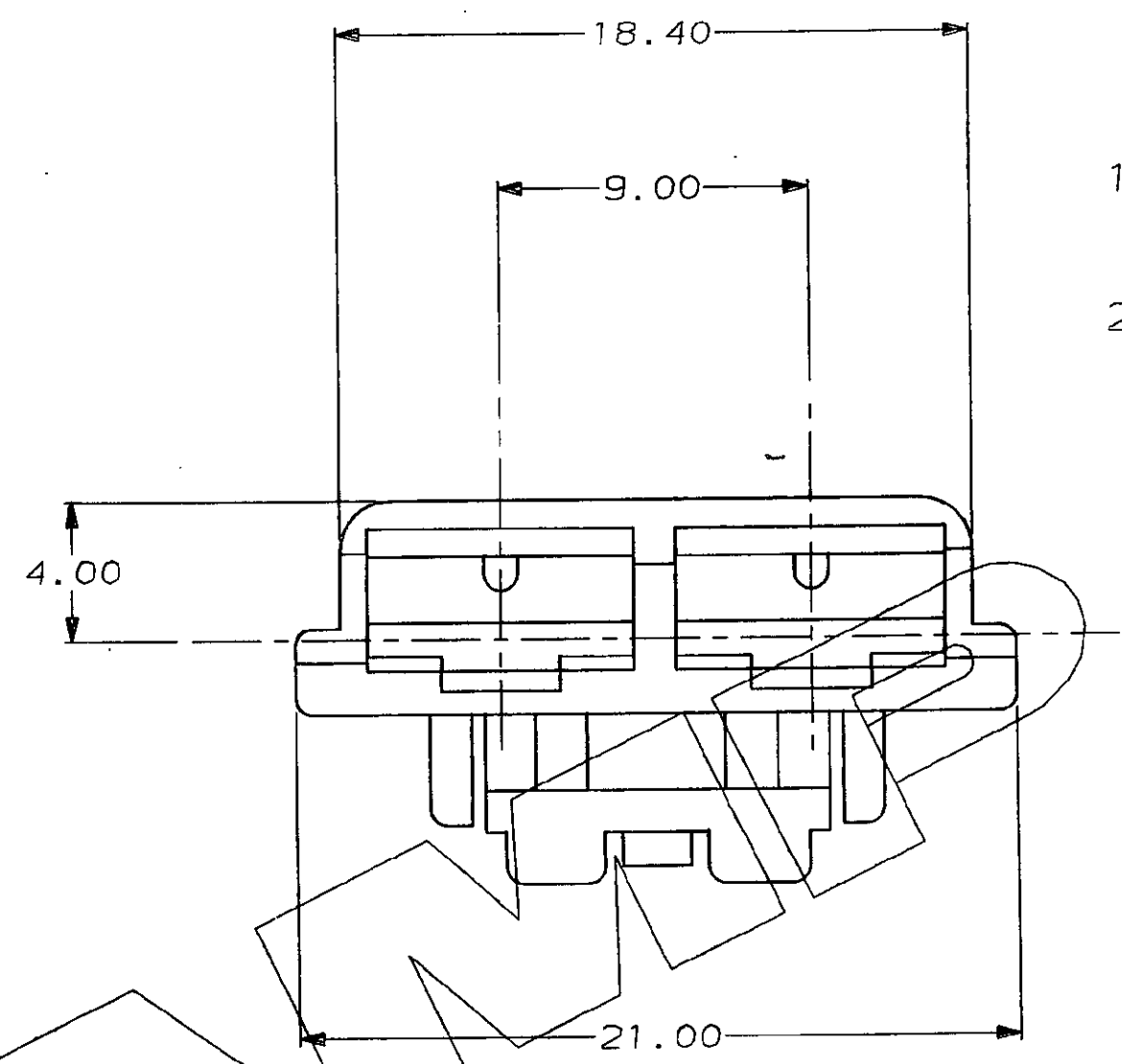


C.A.D. FILE CODE
S. C348726.A.SH1

DO NOT SCALE DIMENSIONS IN MM.

NOTES

1. THIS HOUSING ACCOMODATES TWO FASTIN-FASTON RECEPTACLES, AMP PART No. 42100, FORD PART No. 5L 100.65
2. THIS RECEPTACLE HOUSING MATES WITH FUEL PUMP IN-MOULDED TAB HEADER ASSEMBLY, FORD PART No. F3LU-9350-DA



BLACK	ACETAL	348726-1
FINISH	MATERIAL	PART NUMBER
CUSTOMER DWG FOR REFERENCE ONLY	FOR CONFIDENTIALITY OR COPYRIGHT NOTICE USE FUNCTION KEY F2 OR F3	
-	TOLERANCES UNLESS OTHERWISE STATED DEC ± 0.5 ANGLES ± 1°	DR. J. AMBROSE 03-06-94
-		CH. D. HAYWOOD APP. J. AMBROSE
-		AMP of Great Britain Ltd. TERMINAL HOUSE STANMORE MIDD.
A	J. AMBROSE EB00-0442-94 15-08-94	NAME 2 WAY RECEPTACLE HOUSING FASTIN FASTON
0	J. AMBROSE EB00-0393-94 21-07-94	SCALE 4/1
1	J. AMBROSE NEW ISSUE 03-06-94	LOC E
REV	APPROVED	CHANGE No. DATE
		SIZE A2
		DWG. No. C348726
		REV A
		SHEET 1/1