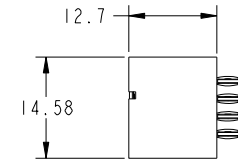
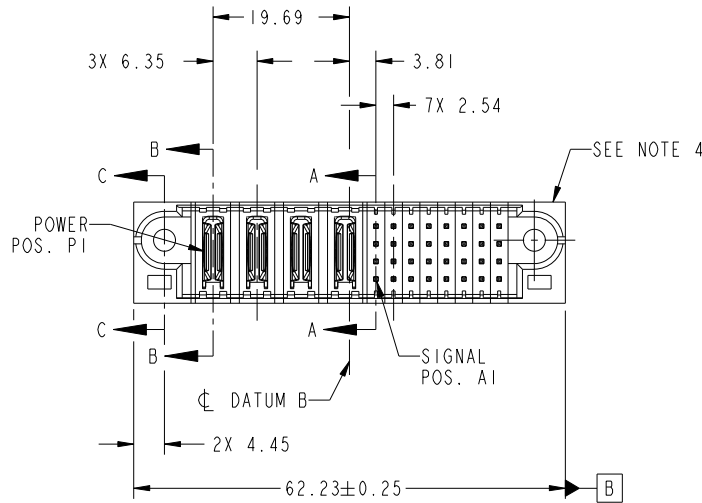


Tous droits strictement reserves. Reproduction ou communication a des tiers interdite sous quelque forme que ce soit sans autorisation écrite du propriétaire. Propriete de c FCI. Droits de reproduction FCI.



All rights strictly reserved. Reproduction or issue to third parties in any form whatever is not permitted without written authority from the proprietor. Property of FCI. Copyright FCI.

PRODUCT NO.	ROWS	POWER				SIGNAL								E2		
		E1	P1	P2	P3	P4	1	2	3	4	5	6	7		8	
51712-013-- NOTE ③	D C B A		PC	PC	PC	PC	G	K	G	K	G	K	G	K	G	



CODE	DIM "M" MATING LENGTH	CONTACT TYPE
PC	[N/A]	POWER
G	[6.86]	SIGNAL
K	[5.59]	SIGNAL

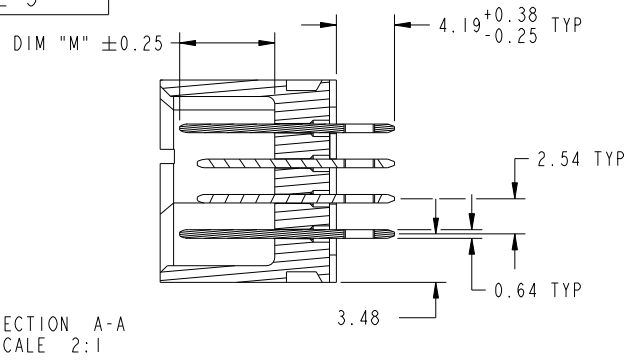
mat'l code				tolerances unless otherwise specified		CUSTOMER			
ltr	ecn no.	dr	date	linear	0.X ±0.5	COPY		www.fciconnect.com	
A	DG09-0107	WD	04/08/09	angles	0.XX ±0.25	projection		title 4P + 32S	
					0.XXX ±0.1			VERTICAL PRESS-FIT HEADER	
				dr	0° ±2°	MIM		product family PwrBlade code 213	
				enr	Warren Du 03/02/09			size dwg no 51712-013 sheet 1 of 4	
				chr	Warren Du 03/02/09	scale 1:1			
				appd	PM ZHENG 03/02/09				
					JOSEPH HSIA 03/02/09				
sheet index	revision sheet	A	A	A	A			cage code 22526	
		1	2	3	4				

Tous droits strictement reserves. Reproduction ou communication a des tiers interdite sous quelque forme que ce soit sans autorisation ecrite du proprietaire. Propriete de c FCI. Droits de reproduction FCI.

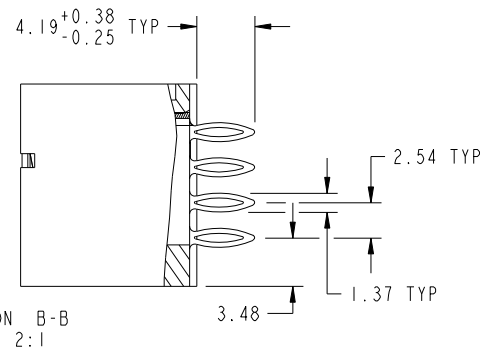
All rights strictly reserved. Reproduction or issue to third parties in any form whatever is not permitted without written authority from the proprietor. Property of FCI. Copyright FCI.



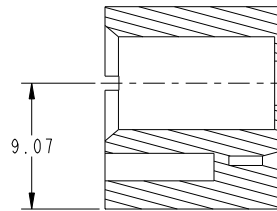
PRODUCT NUMBER
51712-013__
NOTE 3



SECTION A-A
SCALE 2:1



SECTION B-B
SCALE 2:1



SECTION C-C
SCALE 2:1

mat'l code				tolerances unless otherwise specified		CUSTOMER		 www.fciconnect.com	
ltr	ecn no.	dr	date	linear	0.X ±0.5	COPY		 title 4P + 32S VERTICAL PRESS-FIT HEADER	product family PwrBlade code 213 size dwg no 51712-013 sheet 2 of 4
A					0.XX ±0.25	 scale 1:1	A		
					0.XXX ±0.1				
				angles	0° ±2°				
		dr	Warren Du		03/02/09				
		enr	Warren Du		03/02/09				
		chr	PM ZHENG		03/02/09				
		appd	JOSEPH HSIA		03/02/09				
sheet index	revision sheet								

cage code 22526

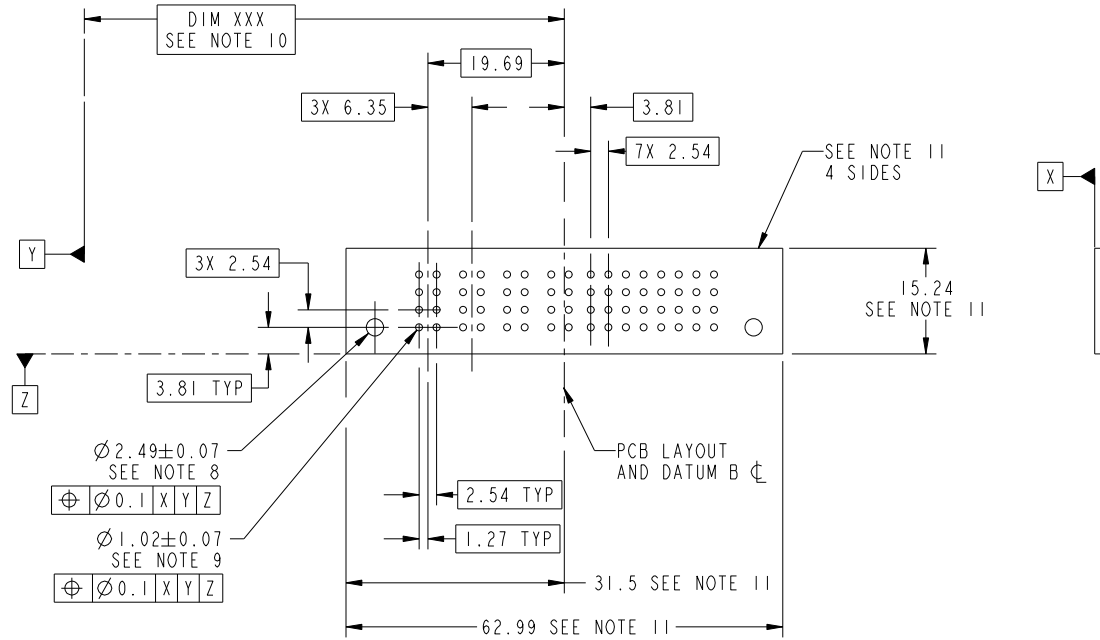
Pro/E

Tous droits strictement reserves. Reproduction ou communication a des tiers interdite sous quelque forme que ce soit sans autorisation écrite du propriétaire. Propriete de c FCI. Droits de reproduction FCI.

All rights strictly reserved. Reproduction or issue to third parties in any form whatever is not permitted without written authority from the proprietor. Property of FCI. Copyright FCI.



PRODUCT NUMBER
51712-013__
NOTE 3



RECOMMENDED PCB LAYOUT

mat'l code				tolerances unless otherwise specified		CUSTOMER		FCI	
ltr	ecn no.	dr	date	linear	0.X ± 0.5	COPY		www.fciconnect.com	
A					0.XX ± 0.25	projection		title 4P + 32S	
				angles	0.XXX ± 0.1			VERTICAL PRESS-FIT HEADER	
				dr	0° ± 2°			product family PwrBlade code 213	
				enr	Warren Du 03/02/09	scale		size A	
				chr	Warren Du 03/02/09	1:1		dwg no 51712-013 sheet 3 of 4	
				appd	PM ZHENG 03/02/09				
					JOSEPH HSIA 03/02/09				
sheet index	revision sheet								

cage code 22526

Pro/E

Tous droits strictement reserves. Reproduction ou communication a des tiers interdite sous quelque forme que ce soit sans autorisation écrite du propriétaire. Propriete de c FCI. Droits de reproduction FCI.



All rights strictly reserved. Reproduction or issue to third parties in any form whatever is not permitted without written authority from the proprietor. Property of FCI. Copyright FCI.

PRODUCT NUMBER
51712-013--
NOTE 3

NOTES:

1. DIMENSIONS AND TOLERANCES ARE IN ACCORDANCE WITH ASME Y14.5M, 1994 UNLESS OTHERWISE SPECIFIED.

CONNECTOR NOTES:

- 2 HOUSING MATERIAL: UL 94 V-0 GLASS FILLED HIGH-TEMP THERMOPLASTIC
POWER CONTACT MATERIAL: COPPER ALLOY
SIGNAL PIN MATERIAL: COPPER ALLOY
- 3. SEE ITEM 3 & 4 IN PRINT 10064183 FOR PLATING SPEC OF 51712-013 AND 51712-013LF RESPECTIVELY.
- 4 MANUFACTURER'S NAME, P/N, AND DATE CODE TO APPEAR ON THIS SURFACE.
- 5. PRODUCT SPECIFICATION GS-12-149.
APPLICATION SPECIFICATION BUS-20-067.
- 6. PACKAGED IN TRAYS.

PCB NOTES:

- 7. ALL HOLE DIAMETERS ARE FINISHED HOLE SIZE.
- 8. MOUNTING HOLES, WHERE APPLICABLE, ARE UNPLATED.

9 $\varnothing 1.151 \pm 0.025$ DRILLED HOLES PLATED WITH
0.008 MIN SnPb OR Sn OVER .001 [0.03]
TO 0.08 Cu PLATING TO ACHIEVE
 $\varnothing 1.02 \pm .07$ HOLE.

10 "DIM XXX" TO BE DETERMINED BY THE CUSTOMER.

11 CONNECTOR KEEP-OUT ZONE.

12. FOR PRESS FIT APPLICATION USE FCI CAM TOOL 430169-XXX.

mat'l code				tolerances unless otherwise specified		CUSTOMER			
ltr	ecn no.	dr	date	linear	0.X ± 0.5	COPY		www.fciconnect.com	
A					0.XX ± 0.25	projection	title		
					0.XXX ± 0.1		4P + 32S VERTICAL PRESS-FIT HEADER		
				angles	0° + 2°			product family	
				dr	Warren Du 03/02/09	MIM		PwrBlade	code
				engr	Warren Du 03/02/09	← MIM →		size	213
				chr	PM ZHENG 03/02/09	scale		dwg no	sheet
				appd	JOSEPH HSIA 03/02/09	1:1		A 51712-013	4 of 4
sheet index	revision sheet								

cage code 22526

Pro/E