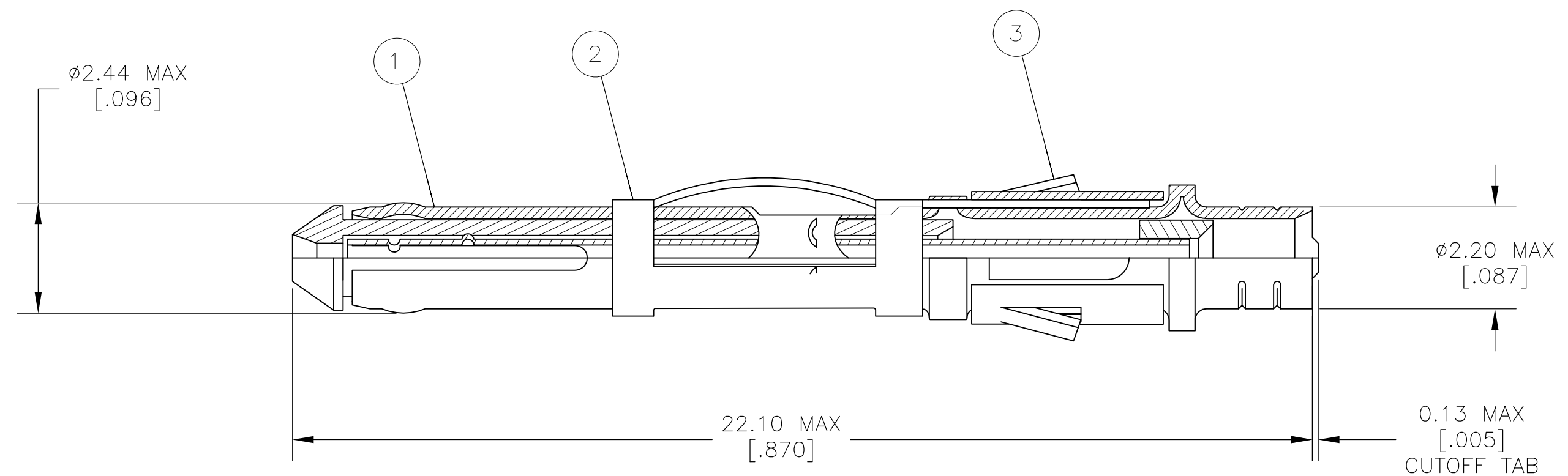
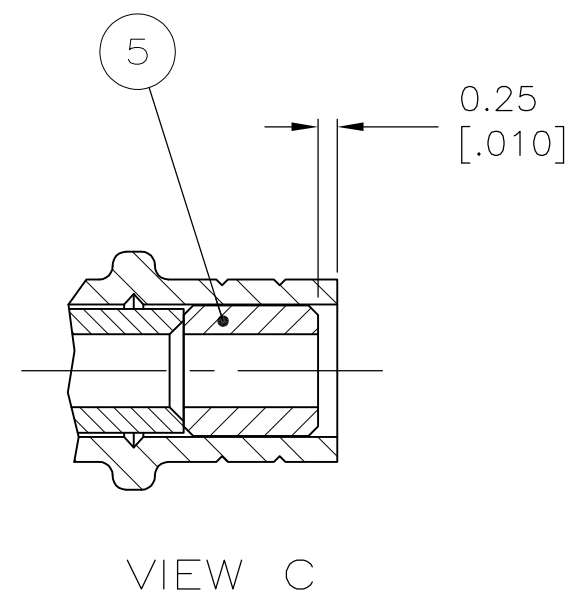
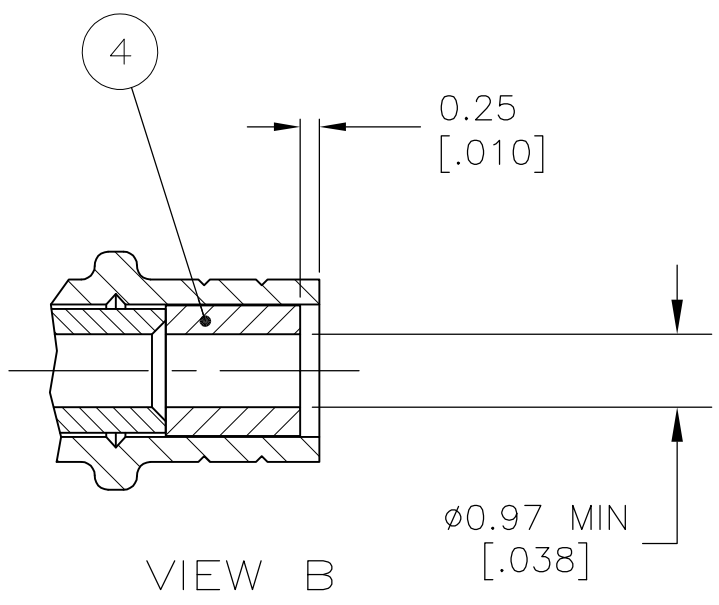


THIS DRAWING IS UNPUBLISHED. RELEASED FOR PUBLICATION
 © COPYRIGHT BY TYCO ELECTRONICS CORPORATION. ALL RIGHTS RESERVED.

LOC	DIST	REVISIONS					
		P	LTR	DESCRIPTION	DATE	DWN	APVD
AJ	17		V2	REVISED PER ECO-06-019979	21AUG2006	KS	GM
			V3	REVISED PER ECO-09-020774	25AUG09	KK	AEG



- 1. PTFE PER MIL-P-19468.
- 2. GOLD PLATE PER MIL-G-45204, .000030 ON MATING SURFACES, FLASH ON REMAINDER.
- 3. NICKEL PL PER QQ-N-290.
- 4. STAINLESS STEEL PER QQ-S-766.
- 5. POLYPROPYLENE, GENERAL PURPOSE.
- 6. BERYLLIUM COPPER PER QQ-C-533.
- 7. BRASS PER MIL-C-50.
- 8. BRASS PER ASTM-B-135.
- 9. TIN PL PER MIL-T-10727.
- 10. WEIGHT: .013 OZ
- 11. FOR CABLE SELECTION, FERRULE AND HANDTOOL PART NOS. SE 1.S. 2024-2.
- 12. GOLD PL PER MIL-G-45204, .000050 ON MATING SURFACES, FLASH ON REMAINDER.
- 13. OBSOLETE PARTS: OBSOLETE CIS STREAMLINING PER D.RENAUD/D.SINISI



13	OBSOLETE	1	A	-	-	-	-	1-51652-3	1-51563-5	
	OBSOLETE		B	-	221993-1	51671-1	1-50606-4	51562-2	1-51563-4	
	OBSOLETE		B	-	51569-1	51671-1	-	51562-1	51563-9	
	OBSOLETE		A	-	-	51671-1	-	51562-1	51563-8	
	OBSOLETE		C	51673-2	-	51671-1	1-50606-4	51562-2	51563-6	
	OBSOLETE		B	-	51569-1	51671-1	1-50606-4	51562-2	51563-5	
	OBSOLETE		A	-	-	51671-1	1-50606-4	51562-2	51563-4	
	OBSOLETE		C	51673-2	-	51671-1	1-50606-4	51562-1	51563-3	
	OBSOLETE		B	-	51569-1	51671-1	1-50606-4	51562-1	51563-2	
	OBSOLETE		A	-	-	51671-1	1-50606-4	51562-1	51563-1	
	NOTE		VIEW	5	BUSHING QTY=1	4	SLEEVE QTY=1	3	SPRING RETENTION QTY=1	
								2	ALIGNMENT SPRING QTY=1	
									1	MATERIAL
										PART NUMBER

THIS DRAWING IS A CONTROLLED DOCUMENT.

DWN	S. KOHL	5/3/91	Tyco Electronics Corporation Harrisburg, PA 17105-3608
CHK	B. WERNER	5/12/91	
APVD	D. DOYE	5/12/91	
NAME			
DIMENSIONS: INCHES			PRODUCT SPEC
TOLERANCES UNLESS OTHERWISE SPECIFIED:			APPLICATION SPEC
0 PLC ± -			WEIGHT -
1 PLC ± -			SCALE A2 00779 C=51563
2 PLC ± -			RESTRICTED TO -
3 PLC ± .005			SIZE CAGE CODE DRAWING NO
4 PLC ± -			SCALE 10:1 SHEET 1 OF 1 REV V3
ANGLES ± -			
FINISH -			
MATERIAL -			
CUSTOMER DRAWING			