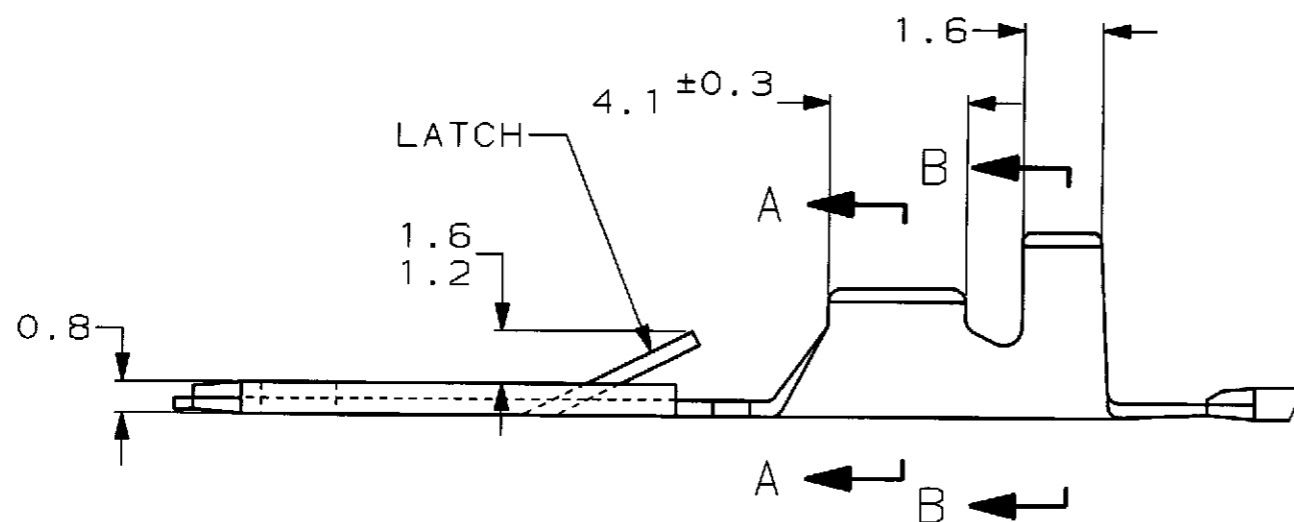
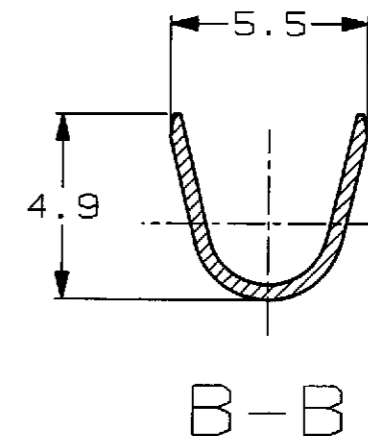
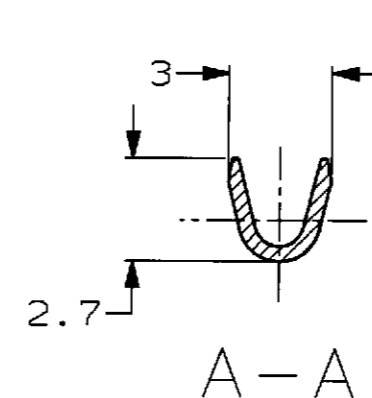
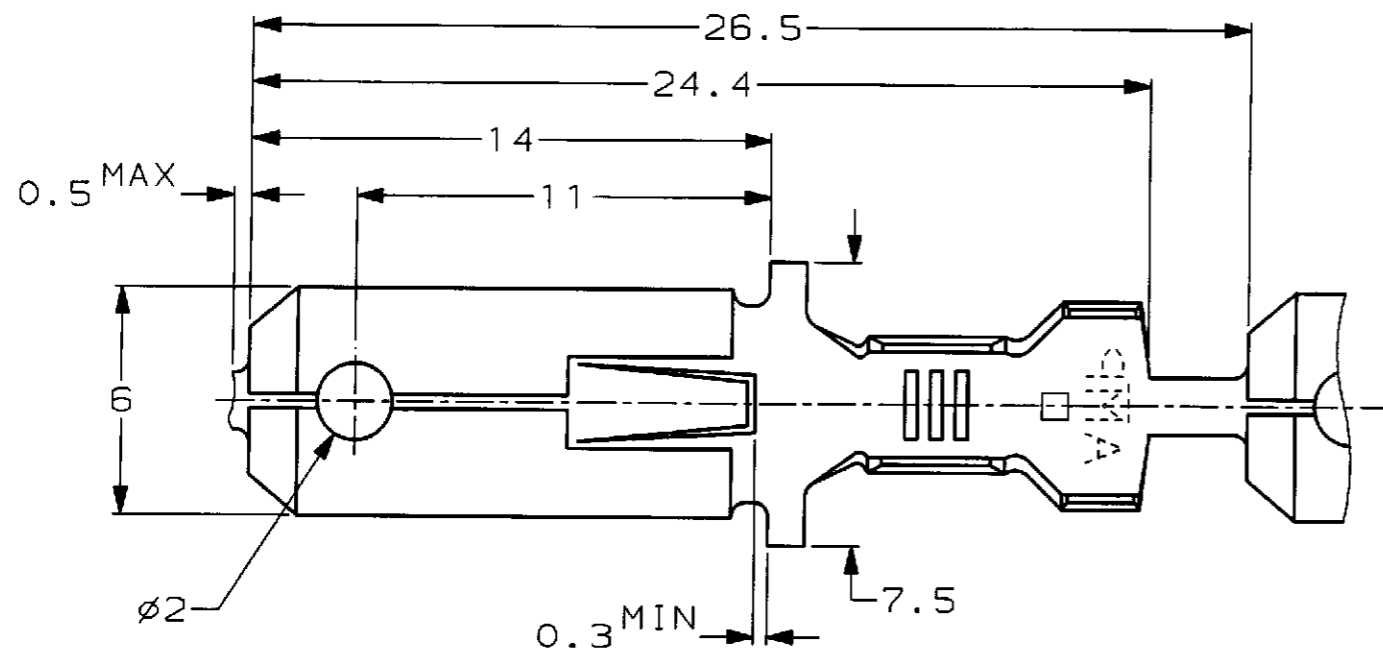


P	LTR	DESCRIPTION	ECN	DATE	DWN	APVD
	A	REDRAWN W/O CHANGE	FJ00-1744-98	16SEP98	TS	KB
	A1	REVISED	ECO-10-000445	08JAN10	KK	AEG



1 OBSOLETE PARTS: OBSOLETE CIS STREAMLINING PER D.RENAUD/D.SINISI

1 OBSOLETE	170303	FINISH	MATERIAL	PART NUMBER
		PRE-TIN BRASS t0.4 錫めつき済黄銅		170302-3
		PRE-TIN BRASS t0.4 錫めつき済黄銅		170302-2
		BRASS t0.4 黄銅		170302-1

MATING RECEPTACLE	FINISH	MATERIAL	PART NUMBER
嵌合相手型番	仕上げ	材料	型番

WIRE RANGE	INSULATION DIA
0.3-0.89mm ² (AWG#22-#18)	1.5-2.6

THIS DRAWING IS A CONTROLLED DOCUMENT FOR AMP INCORPORATED. IT IS SUBJECT TO CHANGE AND THE CONTROLLING ENGINEERING ORGANIZATION SHOULD BE CONTACTED FOR THE LATEST REVISION.		DWN T. SHINOHARA 16SEP98	AMP KAWASAKI, JAPAN	
DIMENSIONS: 単位: 概 mm	TOLERANCES UNLESS OTHERWISE SPECIFIED 一般公差 10% : ±0.2 30% : ±0.25 100% : ±0.3 ANGLE : ±0.3°	CHK 16SEP98	NAME 名称 250 SERIES TAB WITH LATCH 250 シリーズ ラッチ付 タブ	
MATERIAL 材料 SEE TABLE 表参照	FINISH 仕上 SEE TABLE 表参照	APVD K. BETSUI	PRODUCT SPEC 製品規格 108-5001	SIZE A3
		WEIGHT 0.75g	APPLICATION SPEC 取付適用規格 -	DRAWING NO 番号 C= 170302
		CUSTOMER DRAWING		RESTRICTED TO -
		SCALE 尺度 5 : 1	SHEET 1 OF 1	REV A1