

1

2

3

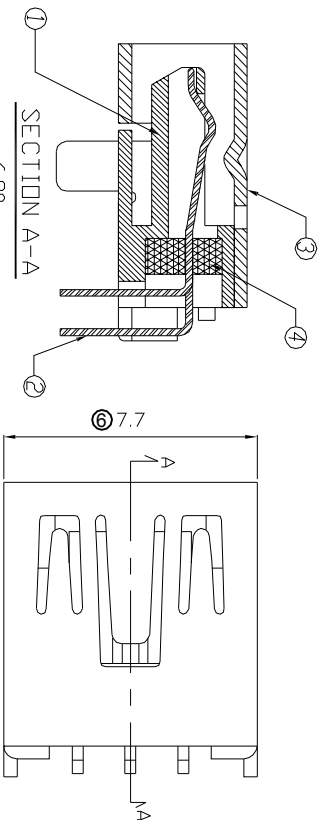
4

5

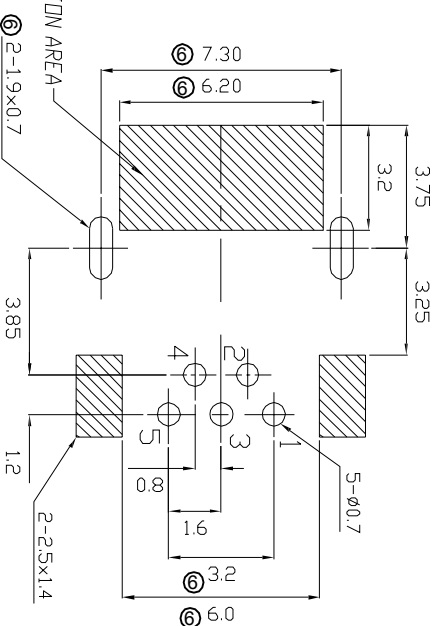
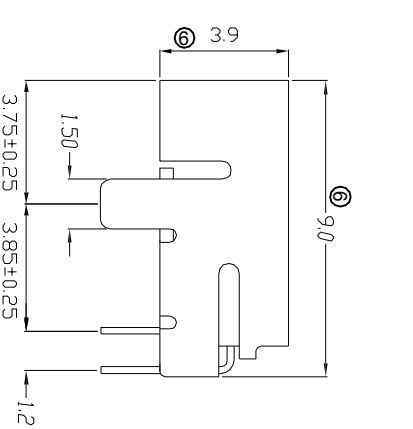
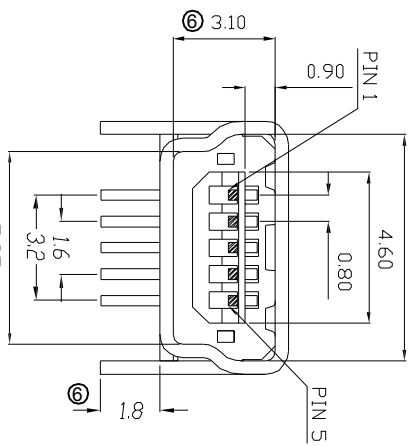
6

7

## ⑤ USB2.0 COMPLIANT



- NOTES:**
- ① Contact Resistance: 50m ohm.Max
  - ② Insulation Resistance: 100M ohm Min. At 500VDC
  - ③ Rating Voltage and Current : 1A at 30VAC Min.
  - ④ Dielectric Withstanding Voltage : 100V AC for 1minutes
  - ⑤ Durability : 1500 cycles
  - ⑥ Insertion force : 35N Max.
  - ⑦ Extraction force: 7N Min
  - ⑧ Temperature range: -40°C~+60°C
  - ⑨ Packing: Tray



RECOMMENDED PCB PATTERN LAYOUT  
<PCB THICKNESS:0.8±0.1>

NO	NAME	MATERIAL	FINISH	Q'TY	REMARK
1	HOUSING	NYLON PA9T G.F	BLACK	1	
2	PIN TERM.	PBS T:0.2	GOLD/TIN PLATED	5	Gold:30u"; NI:40~60u"; TIN:20u" (100% pure Tin of lead free plating)
3	SHELL	BRASS T:0.4	NICKEL PLATED	1	Ni:80~120u"
4	CENTER PASTERN	NYLON PA9T G.F	BLACK	1	

## ROHS compliant

Scale	1:1	⑥ Update	30.03.2018	Winnie	Date	Name
TOLERANCE		⑥ Update	19.08.2013	Winnie	03.07.2003	Hellwig
X	±0.30	④ Add the Packing	04.06.2013	Winnie	30.03.2018	Winnie
.XX	±0.20	③ Temperature range add in	24.07.2012	Lucas		
.XXX	±0.10	② Modify drawing	07.07.2009	Dean		
DIM	TOL	① Drawn	03.07.2003	Hellwig		
X.°	±1°					
Angle	TOL					
UNIT	mm	Modification				

Customer-No.

ASSMANN WSW-No.

A-USB B-M5-C

Drawing-No.

ASS 1455 CO

rev06

Replace

SHEET

1

2

3

4

5

6

7

H

G

E

D

C

B

A