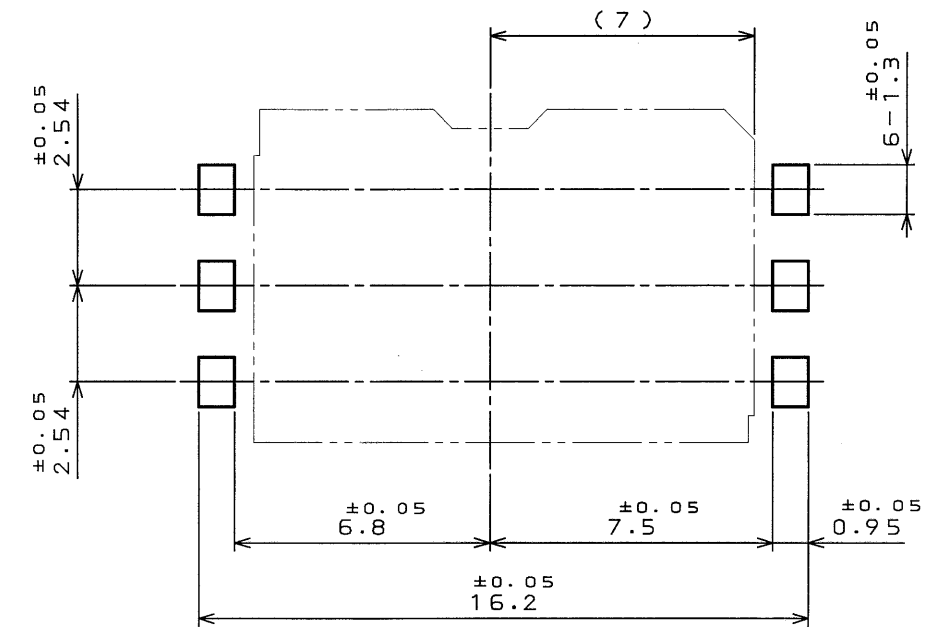
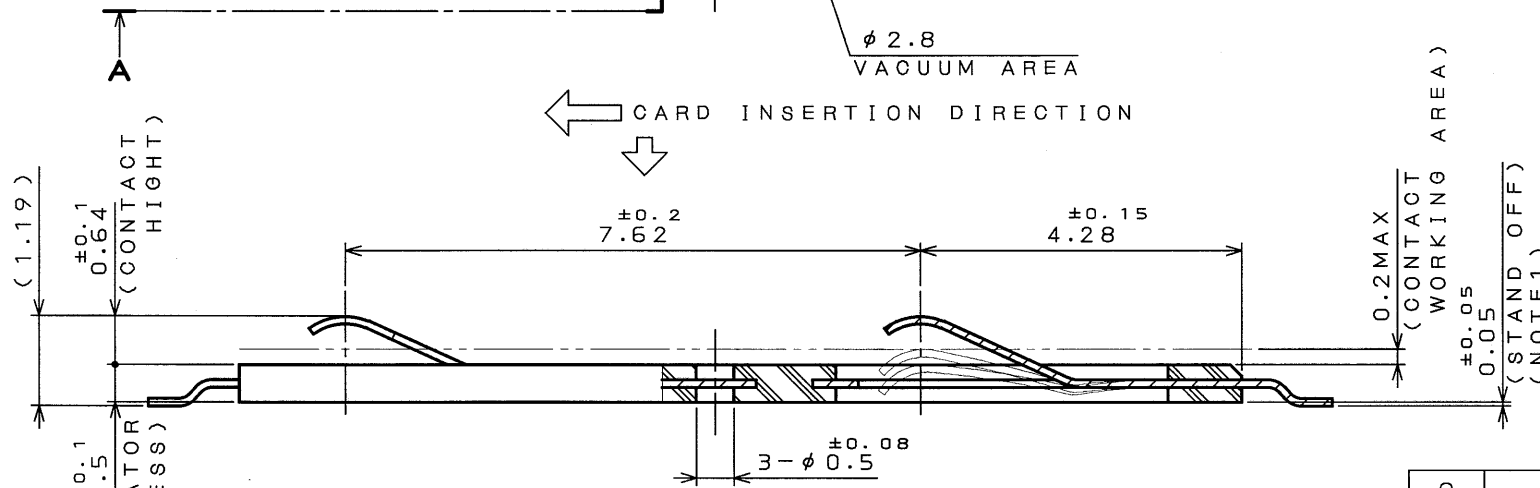
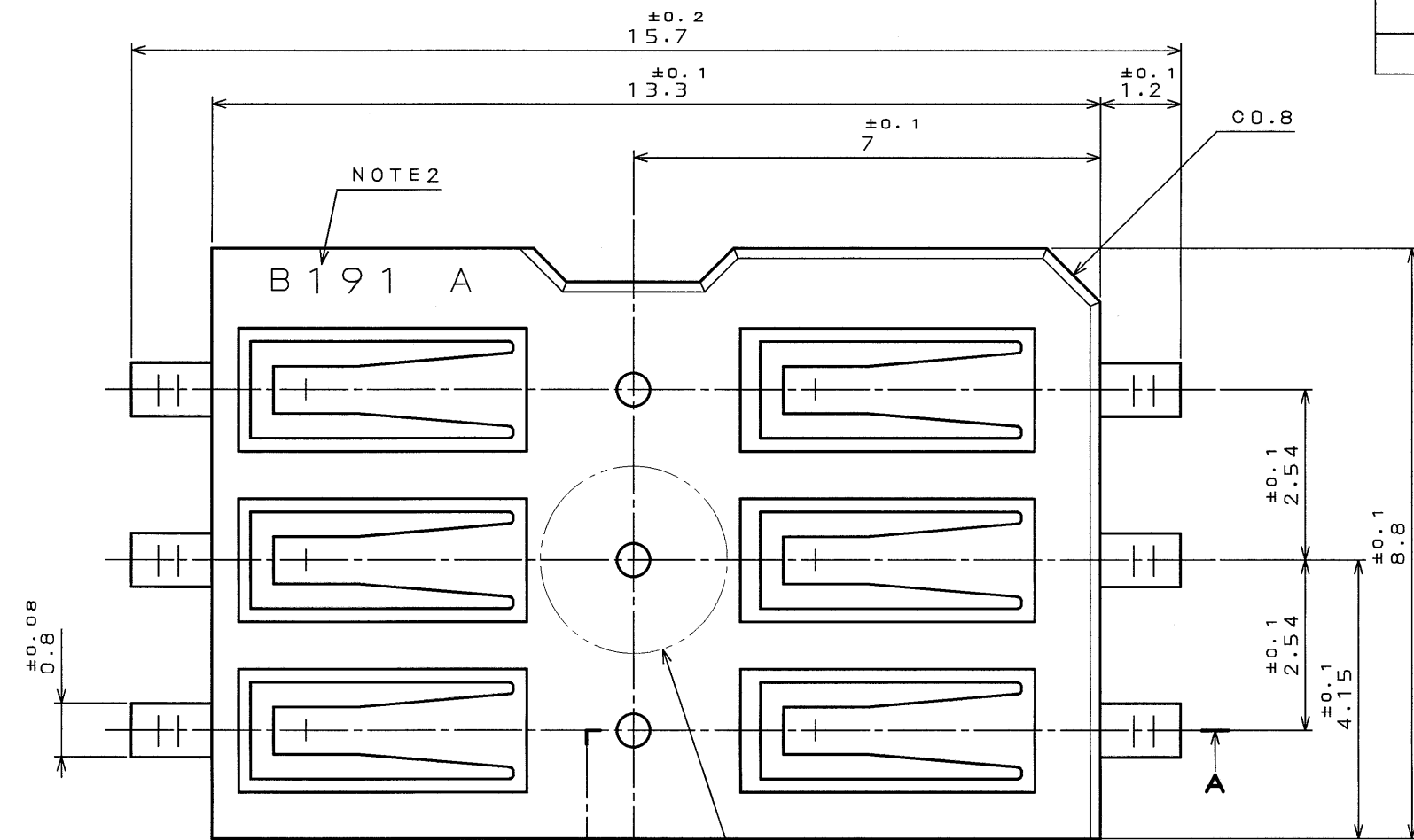


ES09E0RS  
(ON DRAWING) 台架図

版数 REV.	年月日 DATE	DCN NO.	変更内容 DESCRIPTION	製図 DR.	担当 CHK.	査閲 APPD.	承認 APPD.
2	17.May.2002	49985	CORRECT THE SPECIFICATION NUMBER		A.MATSUNAGA	A.Natori	K.Suzuki



NOTE 1.COPLANARITY SHOULD BE 0.1mmMAX.  
NOTE 2.PRODUCTION LOT NUMBER AND CAVITY NUMBER AS INDICATED.

(EX) B 1 9 1 A  
CAVITY NUMBER(A, B, ..., n)  
LOT NUMBER OF CURRENT MONTH  
MONTH(1 TO 9 FOR JAN. TO SEPT. RESPECTIVELY  
OCT.:0, NOV.:X, DEC.:Y)  
YEAR(LAST DIGIT ONLY)  
MANUFACTURTE CODE

SECT. A-A

TABLE1. CONTACT FINISH

CONTACT AREA	TERMINAL AREA
GOLD 0.5μmMIN OVER NICKEL	GOLD 0.03~0.08μm OVER NICKEL

2	INSULATOR	1	GLASS FILLED Ny	UL94 V-0 COLOR:BLACK	
1	CONTACT	6	COPPER ALLOY	TABLE1	
符号 NO.	名称 DESCRIPTION	個数 QTY.	材 料 MATERIAL	仕上 FINISH	備考 REMARKS
仕様書 (SPECIFICATION)		第1版 (ORIGINAL DATE)		尺度 (SCALE)	
△JACS-1556-7		2.Jul.2001		10:1 SF2	
公差 (GENERAL TOLERANCE)		製図 DR.		名称 (TITLE)	
寸法 (DIMENSION)		担当 CHK.		SF2W006S4K	
角度 (ANGLES)		査閲 APPD.		重量 (WEIGHT)	
. ±0.8 X° ±		A.MATSUNAGA		⊕	
.X ±0.4 X°X' ±		A.NATORI		⊖	
.XX ±0.1		承認 APPD.		JAE-CONNECTOR.COM	
.XXX ±		K.SUZUKI		Reference Only	
				JAVIATION ELECTRONICS INDUSTRY, LTD.	
				図面番号 (DRAWING NO.)	
				SJ036053	
				版数 (REV.)	
				2	

DOF-0-212D(98.02)

CDS-01-170-10385  
SIZE A3