

ENG. NO
SD 35150-039*

EDP NO.

SIMILAR ITEM

PROJECT NO.
.070 W/W CONN'

8

7

6

5

4

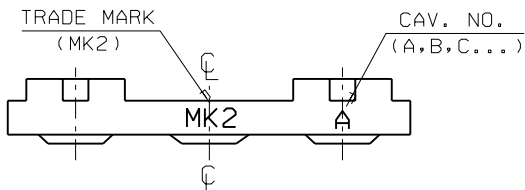
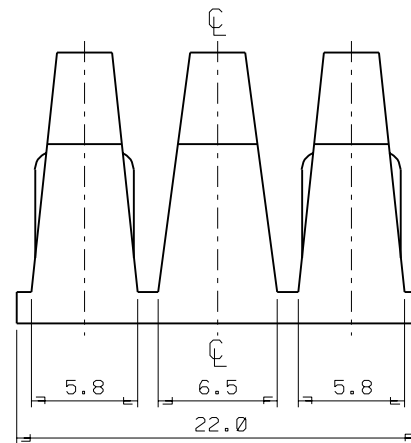
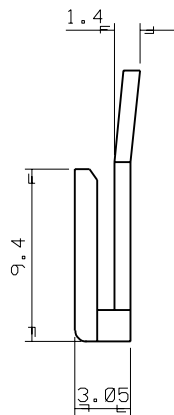
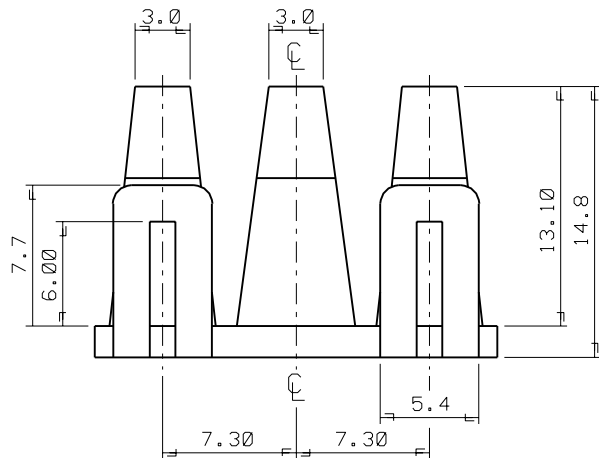
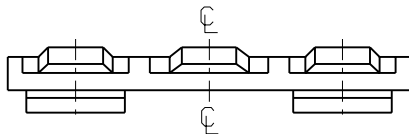
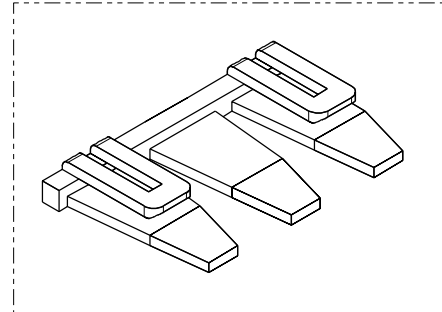
3

2

1

NOTES

- MATERIAL : NYLON 66 (UL94V-2)
- COLOR : 35150-0390 (NATURAL)
35150-0392 (RED)
35150-0393 (YELLOW)
35150-0394 (BLUE)
- MATCHED HOUSING : 35150-030* / Ø31*
35151-031*
35150-060* / Ø61*
35151-061*



				MATERIAL SEE NOTES		molex MOLEX-KOREA CO.,LTD.	
				GENERAL TOLERANCE		DRAWN BY J.S.KANG	
				DIMENSION : ±0.3		CHK'D BY	
				ANGLE : °1:		APP'D BY	
B	REVISED	95-127	95-11-22	DIMENSION CLASSIFICATION		SCALE 4/1	
A	NEW RELEASED		92-9-14	▽: CRITICAL ▼: MAJOR		TITLE:	
				(): REFERENCE		7.3 PITCH W/W CONN'	
LTR	REVISION RECORD	ECN	DATE	ASS'Y PART		SHEET	
				DESCRIPTION/ENG. NO.		1 OF 1	
REVISE ONLY ON CAD SYSTEM				---		ENG. NO.	
						SD 35150-039*	
						REV B	