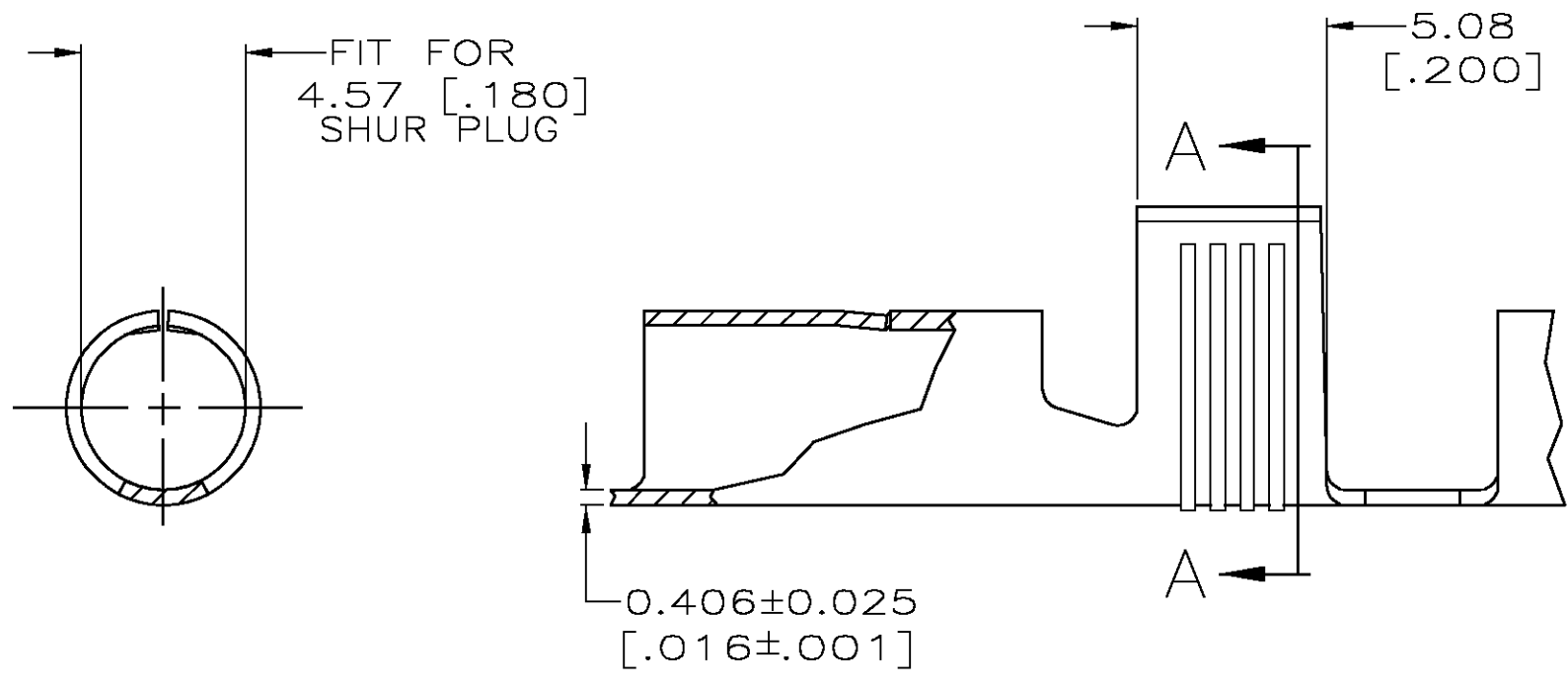
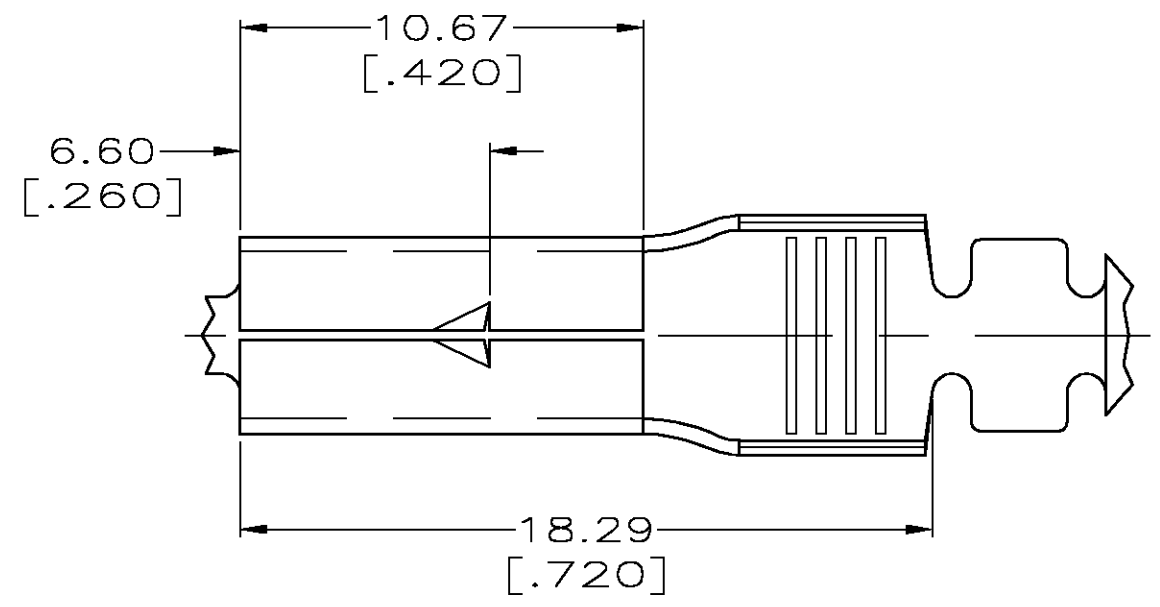
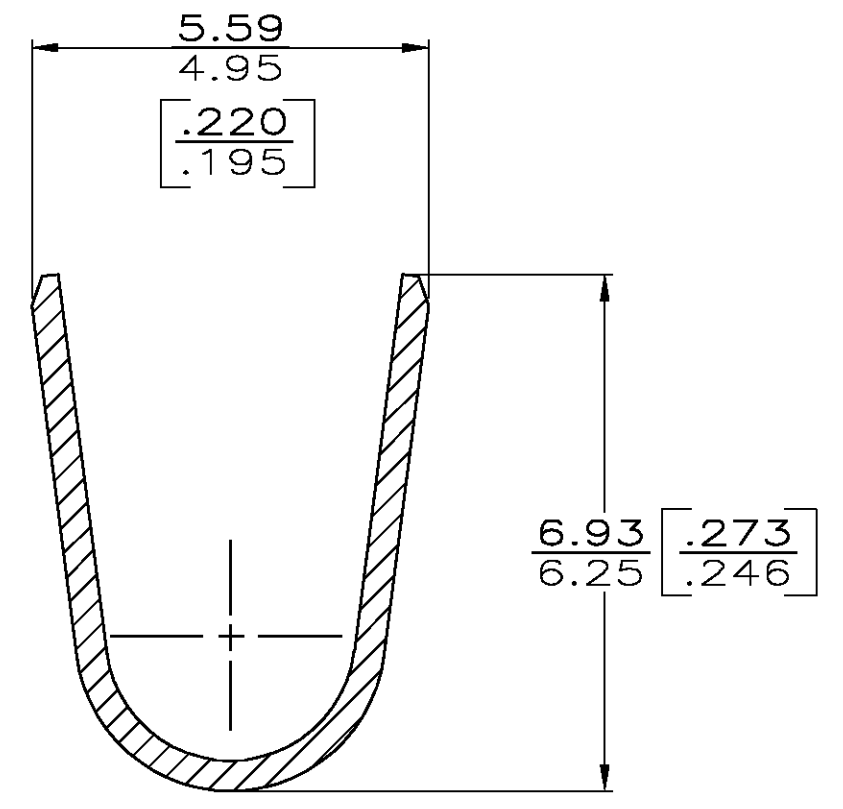


THIS DRAWING IS UNPUBLISHED. RELEASED FOR PUBLICATION  
 © COPYRIGHT BY TYCO ELECTRONICS CORPORATION. ALL RIGHTS RESERVED.

LOC	DIST	REVISIONS			
P	LTR	DESCRIPTION	DATE	DWN	APVD
	C	REVISED PER 0G3A-0679-03	28OCT03	JR	GY



- 1 CONTINUOUS STRIP ON REEL.
- △2 0.002032 [.000080] MIN TIN PLATE
- △3 0.00381 [.000150] MIN NICKEL PLATE
- △4 PRELIMINARY - NOT FOR PRODUCTION



SECTION A-A  
SCALE 10:1

12-8 AWG	△3	△4 1217070-2
12-8 AWG	△2	1217070-1
WIRE RANGE	FINISH	PART NUMBER

THIS DRAWING IS A CONTROLLED DOCUMENT.		DWN PHILLIP M FORTNEY 23/FEB/98	Tyco Electronics Corporation Harrisburg, PA 17105	
DIMENSIONS: MM		CHK JEFF R RUTH 23/FEB/98	NAME RECEPTACLE, SHUR PLUG, 4.57 [.180] DIA	
TOLERANCES UNLESS OTHERWISE SPECIFIED:		APVD GARY YETTER 23/FEB/98	PRODUCT SPEC	
0 PLC ± - 1 PLC ± - 2 PLC ± 0.25 [.010] 3 PLC ± - 4 PLC ± - ANGLES ± -		APPLICATION SPEC 114-2017	SIZE A3	CAGE CODE 00779
MATERIAL 4M BRASS	FINISH SEE TABLE	WEIGHT -	DRAWING NO C-1217070	RESTRICTED TO -
CUSTOMER DRAWING			SCALE 5:1	SHEET 1 OF 1
			REV C	