

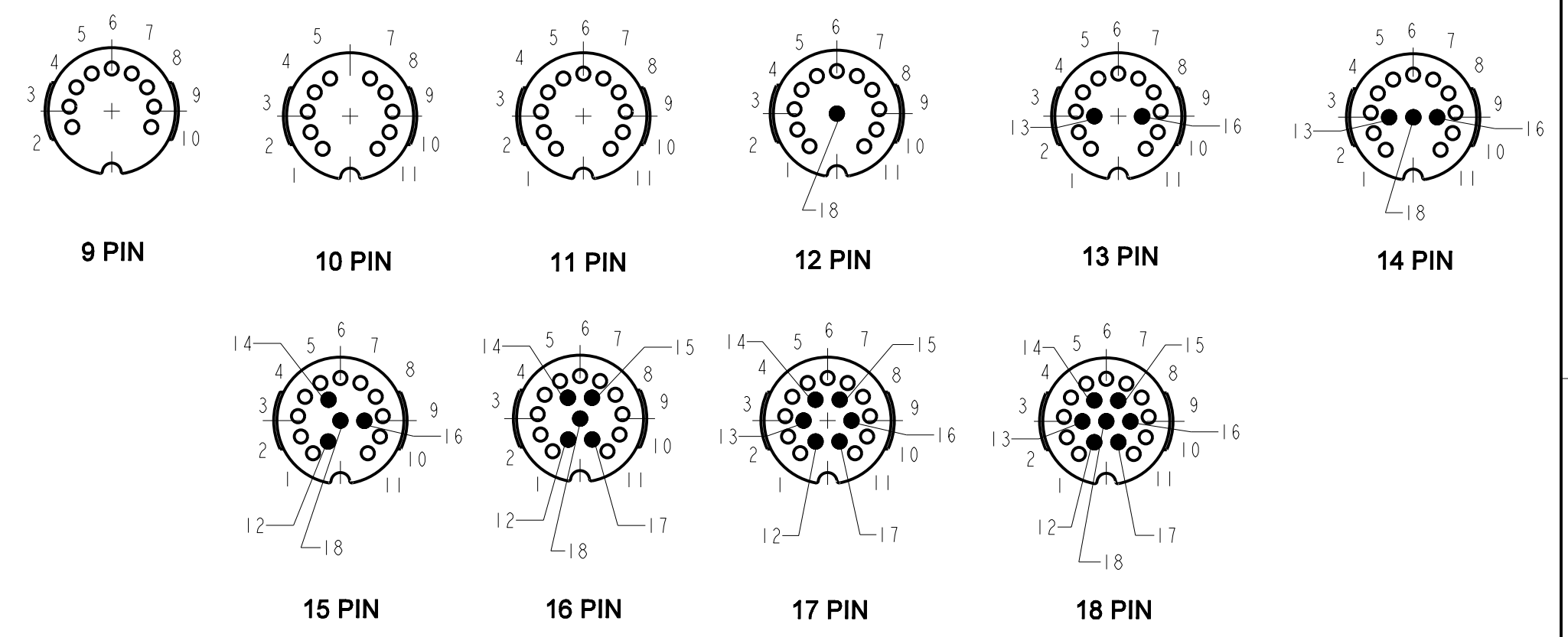
SPECIFICATIONS

MECHANICAL:
 SHOCK: MIL-STD 202 METHOD 213B, COND. K.
 VIBRATION: MIL-STD 202 METHOD 201A
 LIFE: 1000 INSERTION/WITHDRAWAL CYCLES (MINIMUM)

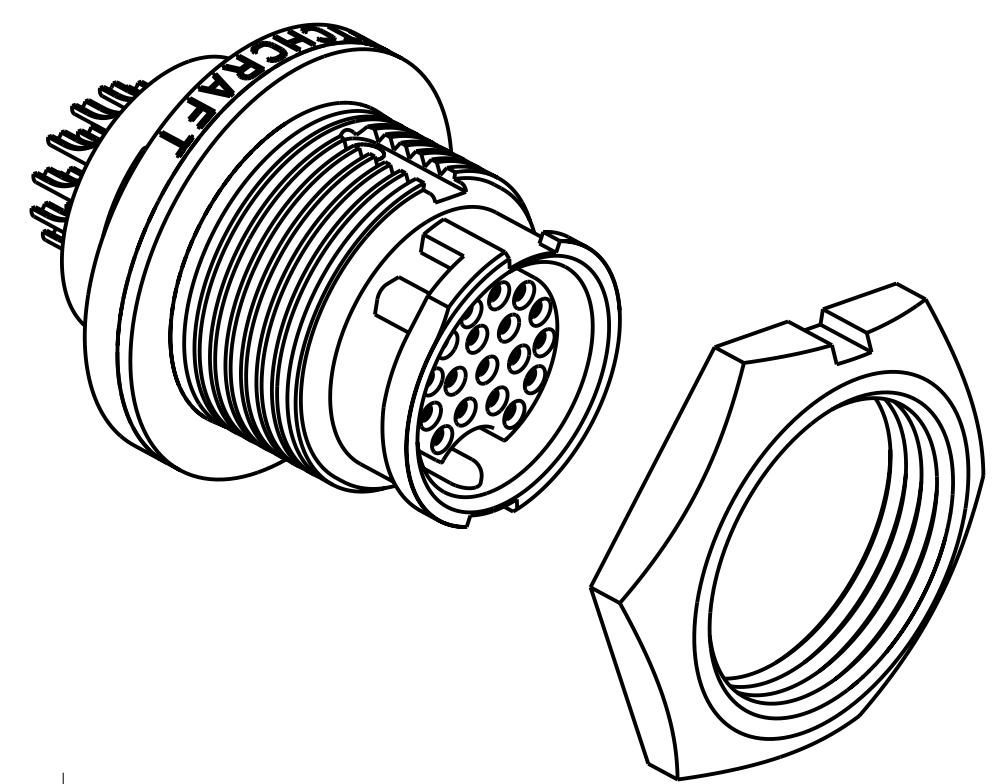
ELECTRICAL
 DIELECTRIC WITHSTANDING VOLTAGE: 250 VAC
 INSULATION RESISTANCE: 100 MEGOHMS (MIN) AT 77°F
 CONTACT RESISTANCE: 10.0 MILLOHMS MAX.
 CURRENT RATING: 2.0 AMPS

ENVIRONMENTAL
 TEMPERATURE LIMITS: -40°C TO +65°C (NON-OPERATING)
 MOISTURE RESISTANCE: MIL-STD 202 METHOD 106F
 INSULATION RESISTANCE: MIL-STD 202 METHOD 302, COND. B
 THERMAL SHOCK: MIL-STD 202 METHOD 107G
 SALT SPRAY: MIL-STD 202 METHOD 101D, COND. B
 WATER TIGHTNESS TEST: U.S. COAST GUARD CFR 46 PART 110.20

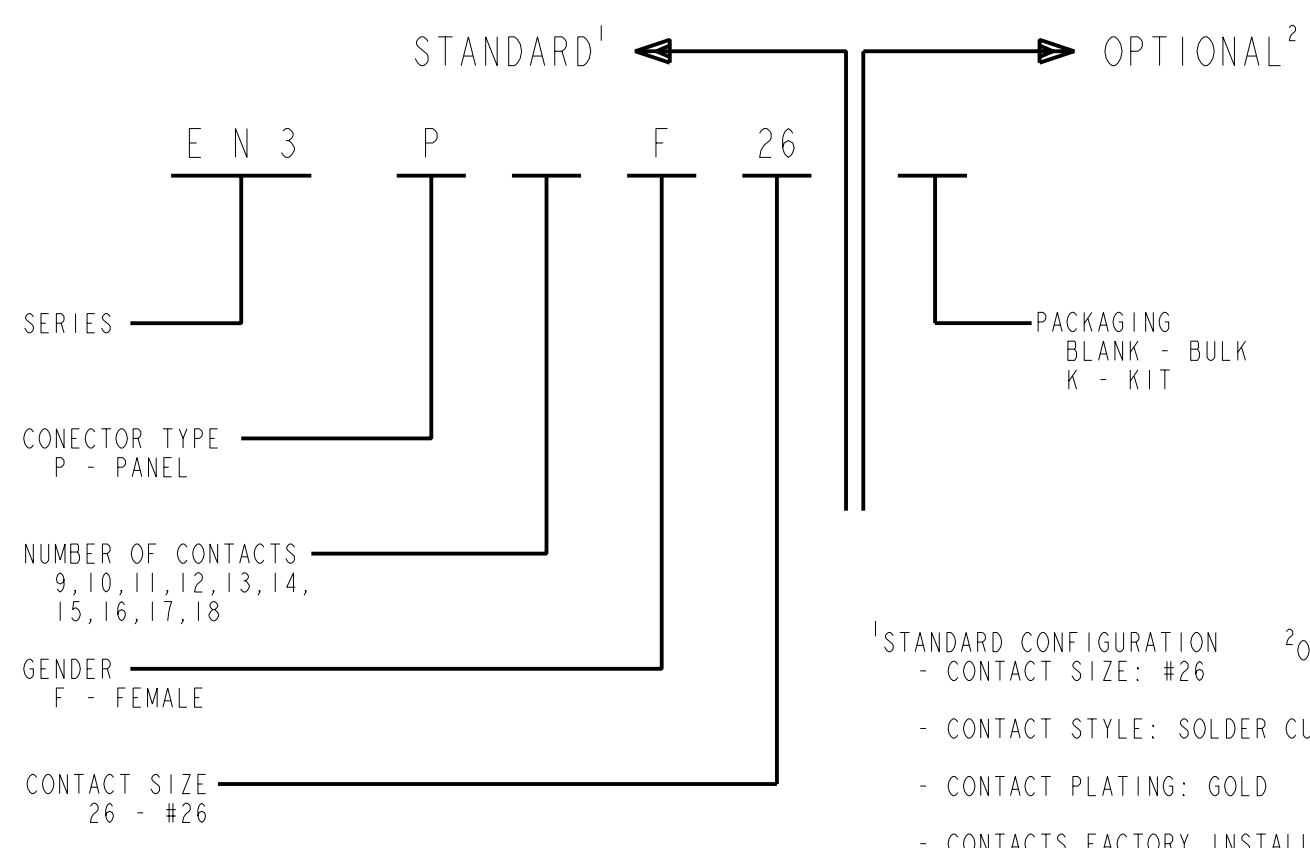
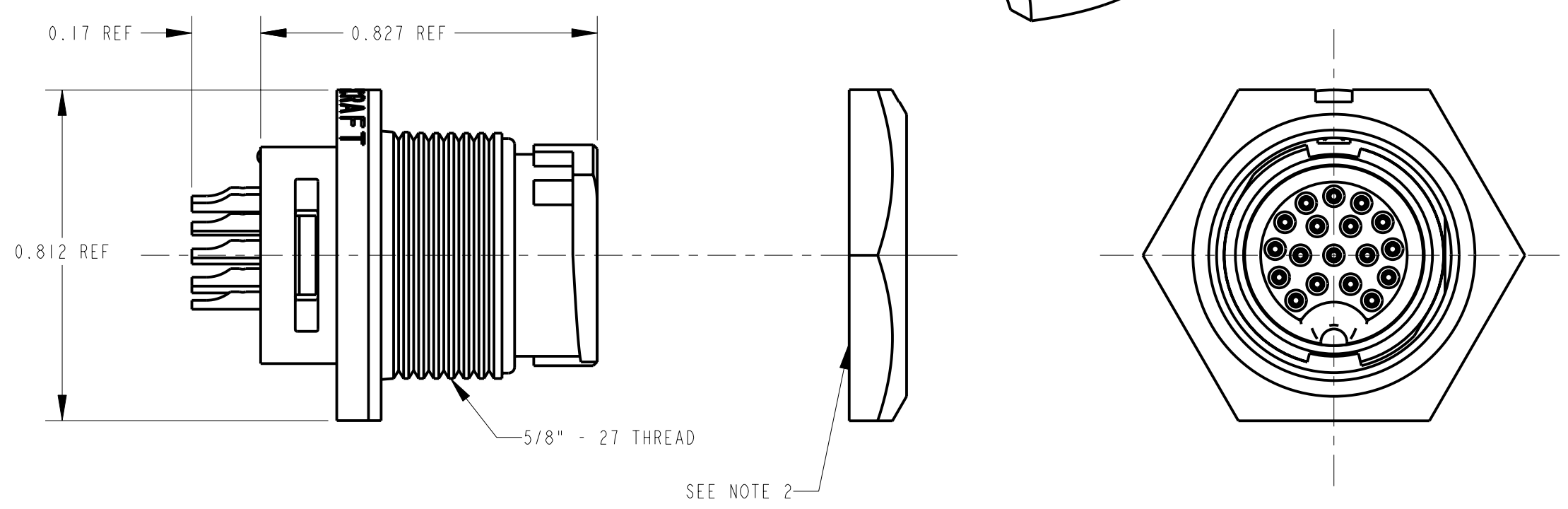
- NOTES:**
- HEX NUT TORQUE: 8 TO 10 INCH-LBS. OF TORQUE (MUST NOT EXCEED 10 INCH-LBS.)
 - HEX NUT SHIPPED UNASSEMBLED.



CONTACT ARRANGEMENTS - VIEWED FROM REAR OF CONNECTOR (WIRING SIDE)
 HOLES USED DENOTED BY NUMBER REFERENCED IN 18 PIN LAYOUT



MATERIALS:
 PANEL CONNECTOR SHELL, CONTACT LOCKING DISC: THERMOPLASTIC POLYMER GLASS FIBER, FLAME RETARDANT
 CONNECTOR SHELL INTERIOR: THERMOPLASTIC RUBBER
 CONTACTS: COPPER BASE ALLOY GOLD-PLATED OVER NICKEL UNDERPLATE
 HEX NUT: THERMOPLASTIC



- ¹STANDARD CONFIGURATION
- CONTACT SIZE: #26
 - CONTACT STYLE: SOLDER CUP
 - CONTACT PLATING: GOLD
 - CONTACTS FACTORY INSTALLED
 - PACKAGED IN BULK
- ²OPTIONAL CONFIGURATION
- LEAVE BLANK FOR STANDARD CONFIGURATION

★ STAR SYMBOL DENOTES CRITICAL DIMENSION				THIS DRAWING DESCRIBES A DESIGN CONSIDERED PROPRIETARY IN NATURE, DEVELOPED AND MANUFACTURED BY SWITCHCRAFT INC. AND IS RELEASED ON A CONFIDENTIAL BASIS FOR IDENTIFICATION PURPOSES ONLY.				
UNLESS OTHERWISE SPECIFIED				SIZE	WIDTH	MULT	LBS/M	TEMPER
1. ALL DIMENSIONS IN INCHES				FINISH				MATERIAL
- TWO PLACE DECIMALS ±0.01				SPEC No.				SPEC No.
- THREE PLACE DECIMALS ±0.005				FIRST USED ON				SCALE
- ANGLES ±1°				6-15-99				3:1
- ALL DIA. CONCENTRIC WITHIN 0.005 T.I.R.				DATE DRAWN	BY	CHKD	APVD	
2. FEATURES ON THE SAME CENTERLINE MUST BE ALIGNED WITHIN ±0.002				6-15-99	SG	SG	AY	
3. REMOVE ALL BURRS				6-15-99				6-16-99
DO NOT SCALE DRAWING				NAME FEMALE PANEL CONNECTORS				PART No.
REVISIONS				26 GAUGE CONTACTS				EN3P_F26
REV	ECO NUMBER	DATE	BY	APVD	SHEET			REV
					1 OF 1			D

CUSTOMER DRAWING

