

SPECIFICATIONS

ELECTRICAL

SUPPLY VOLTAGE	5.0V DC
CENTER VOLTAGE	2.5V DC
SUPPLY CURRENT	10mA max/axis
OUTPUT CURRENT	2mA max/axis
EFFECTIVE OUTPUT	0V – 5V DC
OUTPUT TOLERANCE	±2%

MECHANICAL

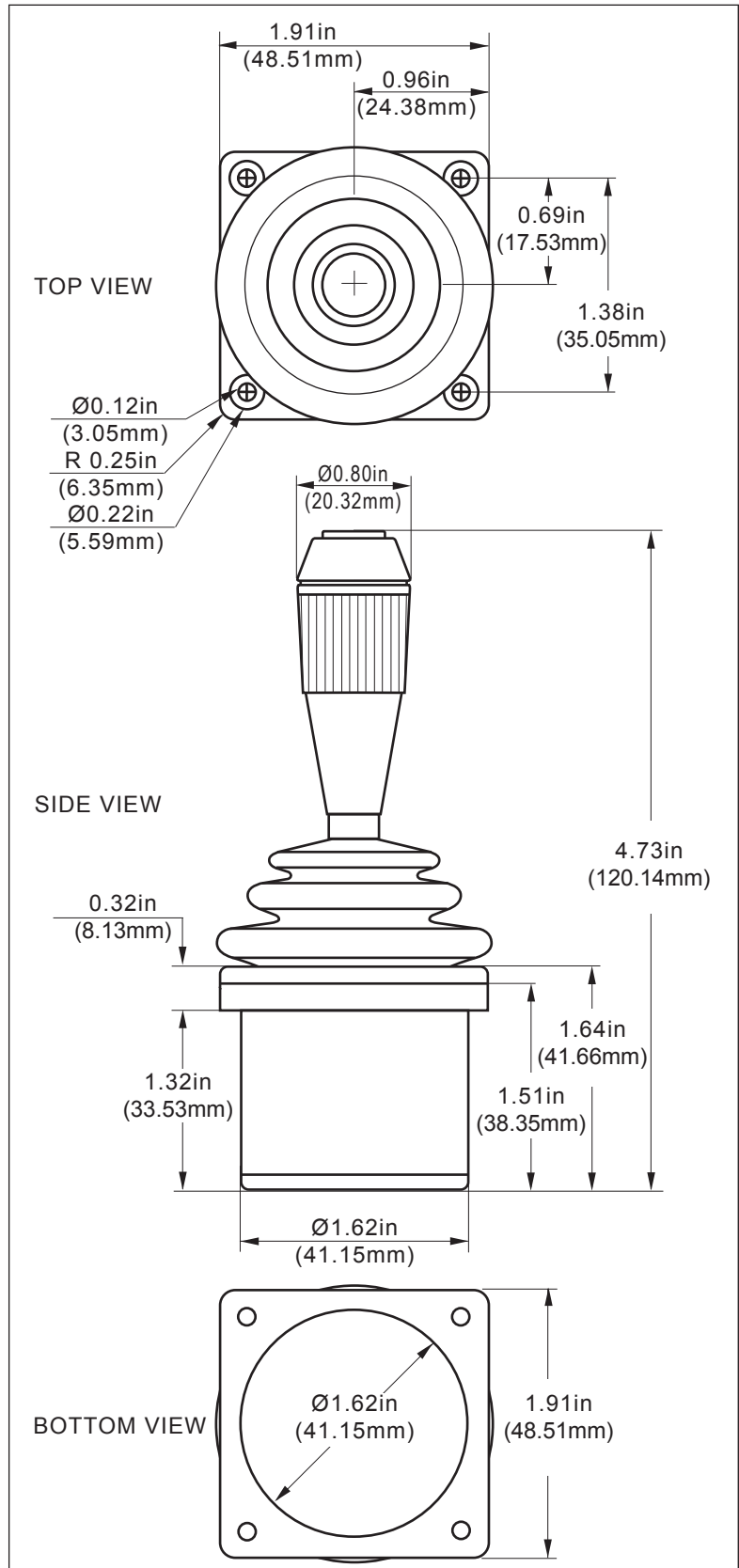
OPERATING TRAVEL	36° (18° from center)
CENTERING	Single spring, omnidirectional
BREAKOUT FORCE	0.109Nm
OPERATING FORCE	0.151Nm
MAXIMUM FORCE	0.169Nm
OPERATING TEMP	-40°C to +85°C
LIFE EXPECTANCY	10 million operations

WIRING

RED	Supply voltage
BLACK	Ground
BLUE	X-Axis
YELLOW	Y-Axis
ORANGE*	Switch
WHITE*	Switch

(* - wires are interchangeable)

RoHS compliant



P/N	HFX-22S10	REV	A
DESCRIPTION	Series I – 2 Axes, with Button		
<small>PROPRIETARY AND CONFIDENTIAL THE INFORMATION CONTAINED IN THIS DRAWING IS THE SOLE PROPERTY OF CH PRODUCTS. ANY REPRODUCTION IN PART OR AS WHOLE WITHOUT THE WRITTEN PERMISSION OF CH PRODUCTS IS PROHIBITED.</small>			