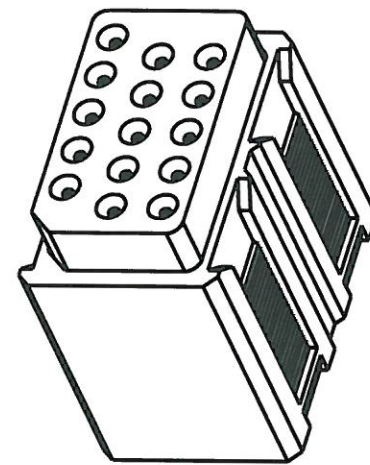
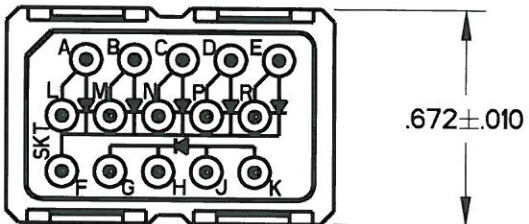
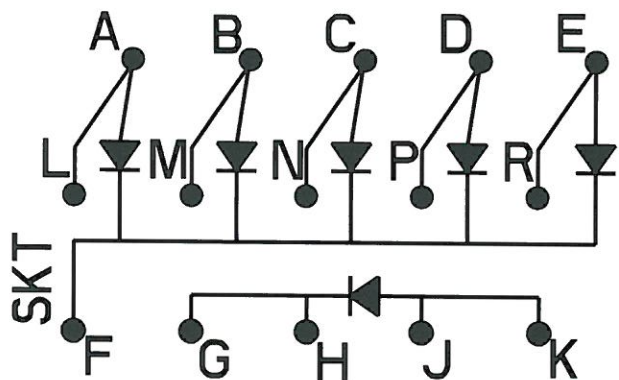


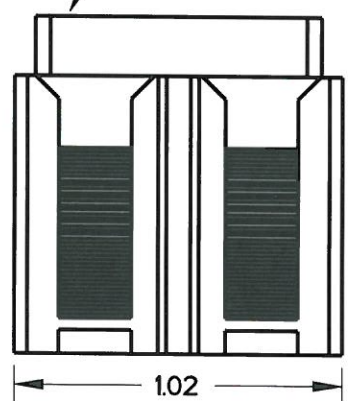
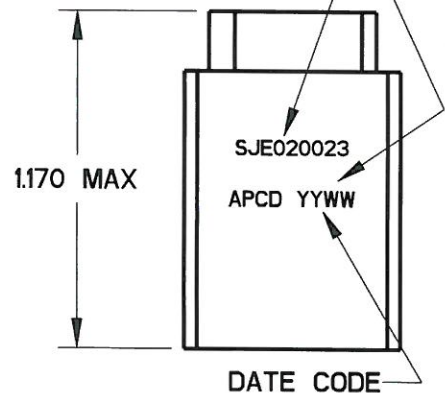
REV	ECN	APP'D
-	6521	<i>JT 4/20/10</i>

CIRCUIT LAYOUT



IDENTIFICATION MARKING

SEALING GROMMET



NOTES:

- MATERIALS:  
 BODY: POLYETHERIMIDE PER ASTM-D5205.  
 GROMMET: SILICONE BLEND ELASTOMER.  
 DIODE: JANTX1N3613, QTY: 6.  
 INTERNAL PIN CONTACT:  
 COPPER ALLOY, HARD GOLD PLATE PER MIL-DTL-45204.
- PERFORMANCE SPECIFICATION PER MIL-T-81714.  
 (SUBJECT TO LIMITATIONS OF THE ELECTRONIC COMPONENTS)  
 TEMPERATURE: -65°C TO 200°C.  
 INSULATION RESISTANCE: 5000 MEGOHMS MIN AT 25°C.  
 DIELECTRIC WITHSTANDING VOLTAGE:  
 1500 VRMS AT SEA LEVEL,  
 AND 200 VRMS AT 100,000 FT. ALTITUDE.  
 CURRENT RATING: 7.5A FOR SIZE 20 CONTACTS.  
 VIBRATION AND SHOCK: PER MIL-T-81714 PARA 3.5.8 & 9.
- MODULE ACCEPTS SOCKET CONTACTS (15) M39029/22-192.
- MODULE TO BE MOUNTED ON M81714/67 RAIL SYSTEM.

<b>DIMENSIONS</b> ANSI Y14.5M UNITS: INCHES Pro/E FILE	<b>TOLERANCES</b> .XX ±0.01 .XXX ±0.005 ANGLES ±1.0°	<b>PROJECTION</b> 	<b>Amphenol Pcd</b> SPECIFICATION DRAWING		<b>TITLE</b> SJE SERIES ELECTRONIC MODULE (6) JANTX1N3613	
			ENGR M. DiGIACOMO 4/19/2010			
<b>ORIGINAL</b> 	THIS DOCUMENT CONTAINS PROPRIETARY INFORMATION WHICH IS THE CONFIDENTIAL PROPERTY OF AMPHENOL PCD BEVERLY, MA, USA	CHKD <i>Rick Neumann 4/21/10</i> APPD <i>JT 4/20/10</i>	SIZE <b>A</b>	DWG NO. <b>SJE020023</b>	REV -	
			CODE: 58982	SCALE: 5:3	SHEET 1 OF 1	