

PART NAME: KNOB SCALE: 1:1 DATE: 7/17/90 DR. BY HD

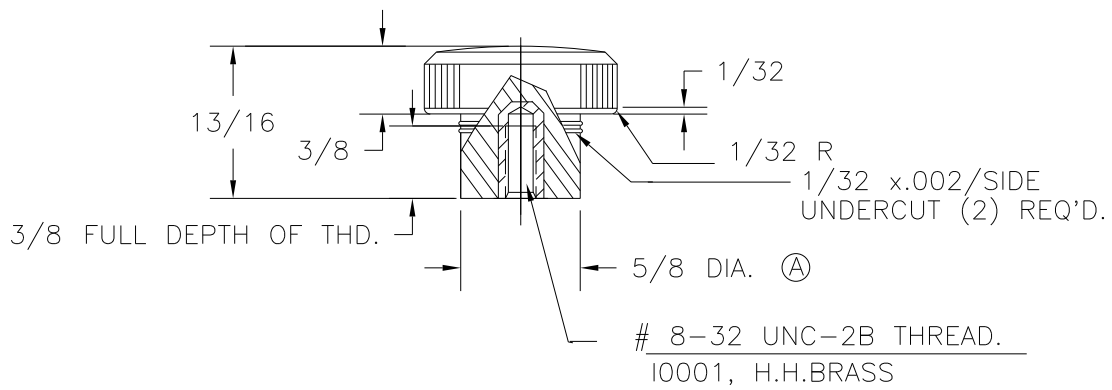
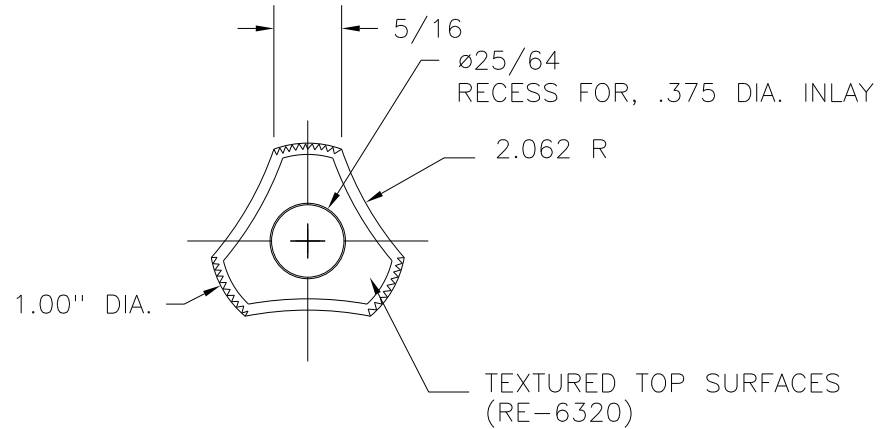
THIS DRAWING IS THE PROPERTY OF DAVIES MOLDING COMPANY, IS SUBMITTED SOLELY AS A DESIGN OR ENGINEERING PROJECT. WE ACCEPT NO RESPONSIBILITY WHATSOEVER FOR THE PRACTICAL APPLICATION OF THE PIECES MADE TO THIS DESIGN.



DESIGNERS & MANUFACTURERS OF KNOBS, HANDLES, CASES & CUSTOM PLASTIC COMPONENTS

P/N	3071
M NO.	75
CAVITY	3071
CORE	3071
CORE PLUG	3071
SLEEVE	3071
PIN	3071-F
INSERT	10001

CAD/REDRAWN : 6/15/95 : HD



(C) MATERIAL: NYLON 6/6 (ZY2), (ZY6)
 OR ENGINEERING APPROVED EQUIVALENT
 COLOR: BLACK

TOLERANCES: UNLESS OTHERWISE SPECIFIED	DO NOT SCALE DRAWING	C	ADDED ZY6	JAM	7/13/12
DECIMALS: X.XXX ± .005 X.XX ± .015	MM: X.XX ± 0.15MM X.X ± 0.4MM	B	ADDED MAT. CODE	DS	1/8/07
FRACTIONS ± 1/64	ANG. ± 1°	A	CORRECTED DWG. WAS 9/16 DIA.HUB	HD	6/15/95
CHANGES					