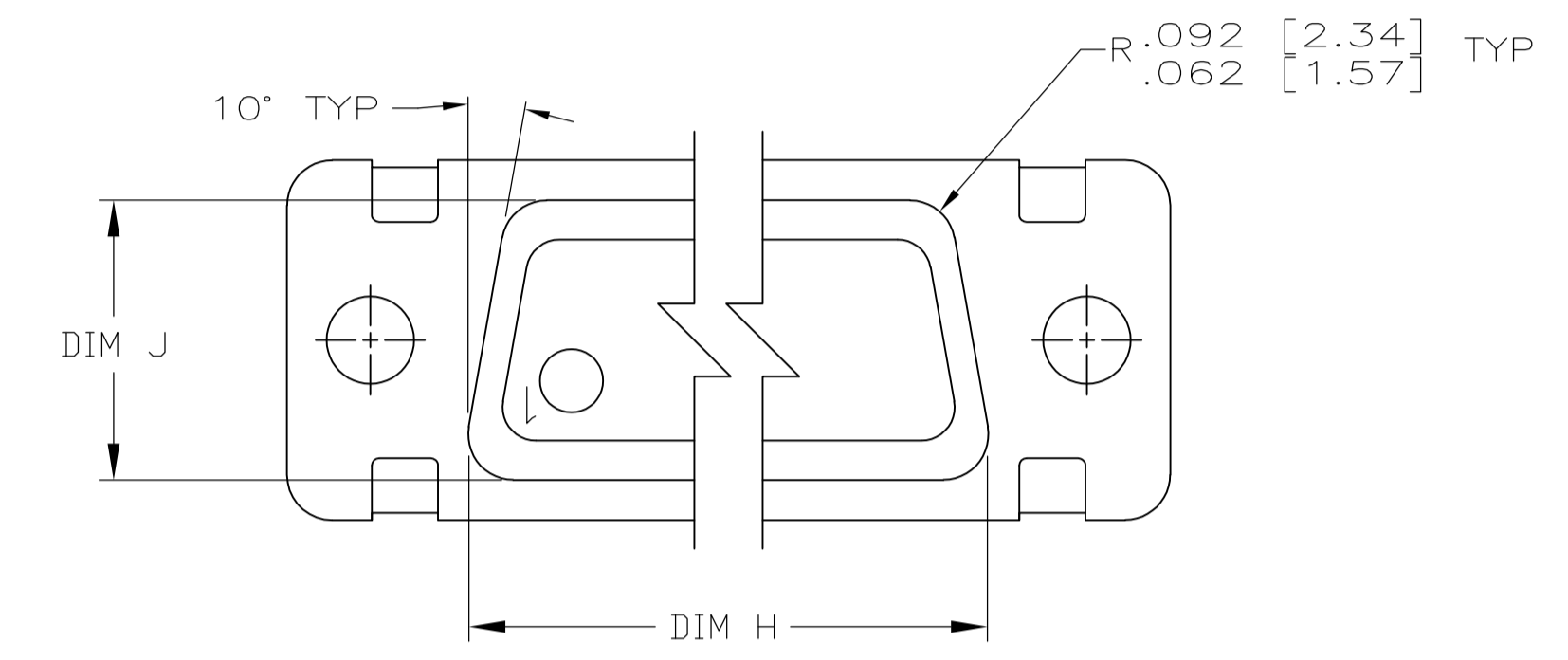
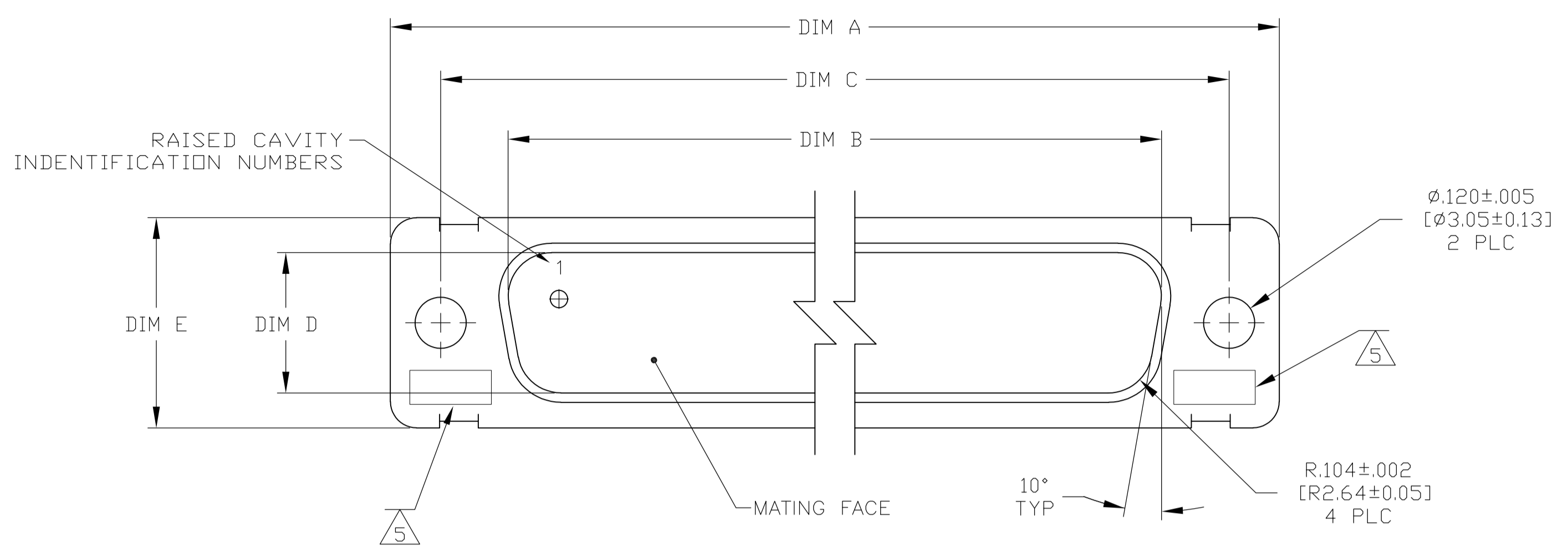
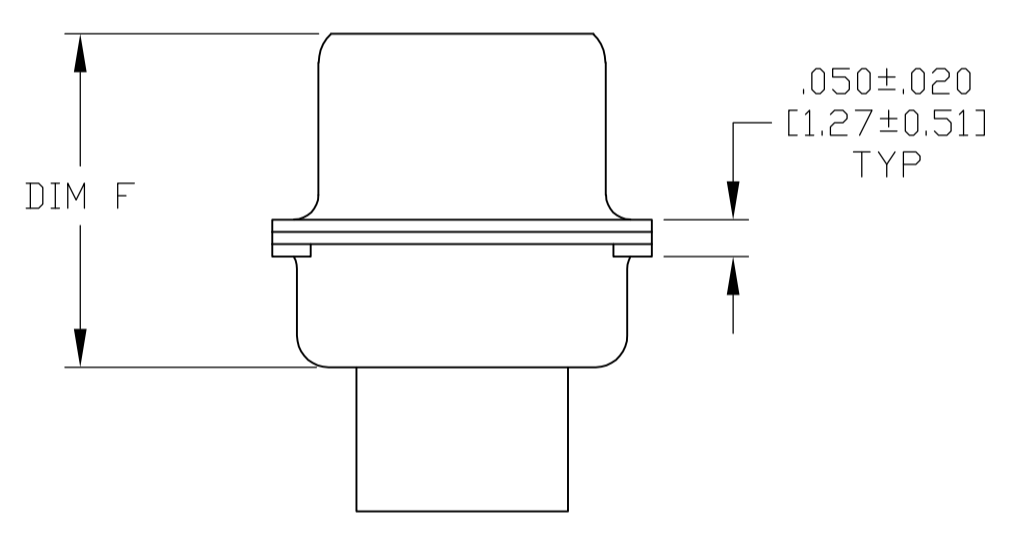
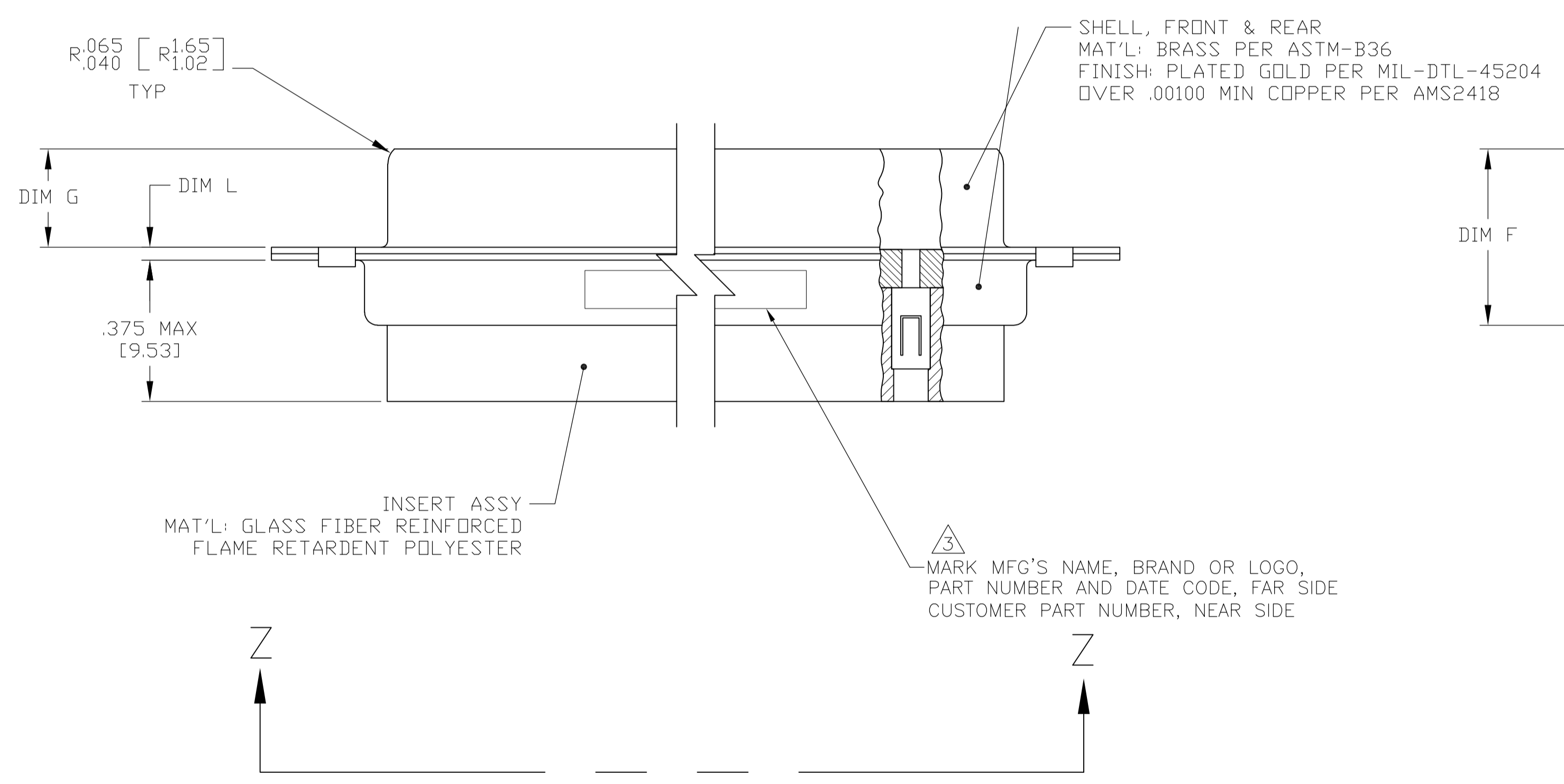


REVISONS		DATE	BY	APP'D
E	REV PER ECO-08-030664	17APR09	PY	RL



VIEW Z-Z



- THIS CONNECTOR ASSEMBLY IS SUPPLIED WITH Be Cu CONTACT RETENTION CLIPS INSTALLED IN THE INSERT ASSEMBLY.
- THIS CONNECTOR ASSEMBLY MATES WITH ANY RECEPTACLE CONNECTOR WITH THE SAME INSERT ARRANGEMENT AND DIMENSIONAL REQUIREMENTS PER MIL-C-24308.
- MARKED WITH .047 [1.19]-.062 [1.57] HIGH CHARACTERS. FAR SIDE REFERS TO THE WIDE SIDE OF THE KEYSTONE. NEAR SIDE REFERS TO THE NARROW SIDE OF THE KEYSTONE.
- MAXIMUM WIRE INSULATION TO BE USED WITH THIS CONNECTOR ASSEMBLY IS .068 [1.73] DIAMETER.
- UL/CSA DESIGNATION STAMPED IN THIS AREA.
- SPECIAL REQUIREMENTS PER BOEING 1A01 DOCUMENT.
- BUILT TO ORDER, NO INVENTORY OF THIS PART NUMBER IS TO BE KEPT. SINGLE LOT DATE CODE REQUIRED.

1A01-009PHW	.049 [1.24] .029 [0.74]	.432 [10.97] .412 [10.46]	2.282 57.96 2.262 57.45	.236 [5.99] .224 [5.69]	.436 [11.07] .416 [10.57]	.509 [12.93] .479 [12.17]	.334 [8.48] .324 [8.23]	2.505 [63.63] 2.495 [63.37]	2.187 [55.55] 2.177 [55.30]	2.744 [69.70] 2.714 [68.94]	MS18276-1	37	4	1-211621-1
1A01-009PHA	.049 [1.24] .029 [0.74]	.432 [10.97] .412 [10.46]	2.282 57.96 2.262 57.45	.236 [5.99] .224 [5.69]	.436 [11.07] .416 [10.57]	.509 [12.93] .479 [12.17]	.334 [8.48] .324 [8.23]	2.505 [63.63] 2.495 [63.37]	2.187 [55.55] 2.177 [55.30]	2.744 [69.70] 2.714 [68.94]	MS18276-1	37	4	211621-1
CUSTOMER MARKING	L	J	H	G	F	E	D	C	B	A	INSERT ARRANGEMENT	NO OF POS	SHELL SIZE	PART NUMBER

THIS DRAWING IS A CONTROLLED DOCUMENT.

DIMENSIONS: INCHES. TOLERANCES UNLESS OTHERWISE SPECIFIED:

0 PLC	± -
1 PLC	± -
2 PLC	± -
3 PLC	± .005 [0.13]
4 PLC	± -
ANGLES	± ± 1°

MATERIAL: SEE CALLOUTS. FINISH: SEE CALLOUTS.

THIS DRAWING IS A CONTROLLED DOCUMENT. DWN: C.C.THOMAS 3-26-07. CHK: D. MILLER 3-27-07. APP'D: D. MILLER 3-27-07. NAME: Tyco Electronics Corporation, Harrisburg, PA 17105-3608.

PRODUCT SPEC: PLUG ASSEMBLY, ANPLIMITE 37 POSN, SIZE 4, SERIES 109 NON-MAGNETIC.

SIZE: A1. CAGE CODE: 00779. DRAWING NO: 211621. RESTRICTED TO: -.

WEIGHT: -. SCALE: 4:1. SHEET: 1 OF 1. REV: E.