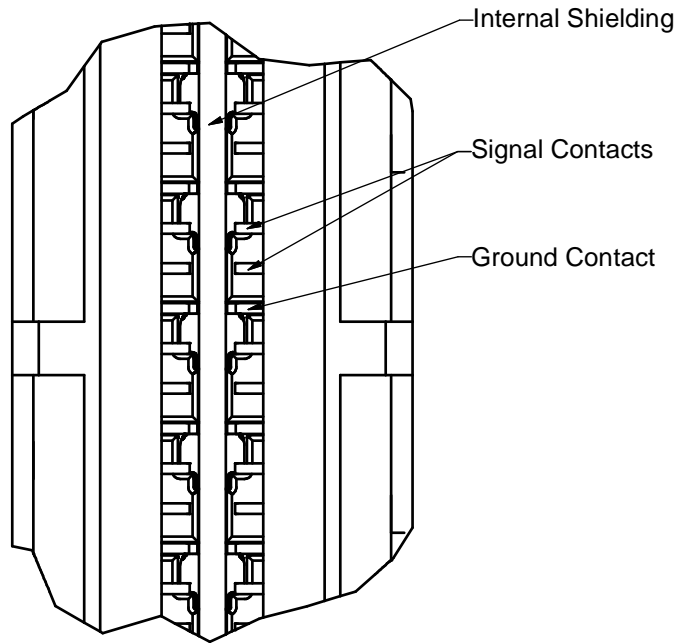


see note 11

A (10:1)

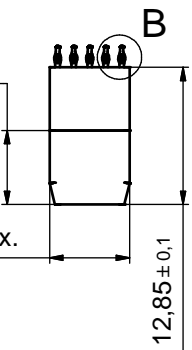


Internal Shielding
Signal Contacts
Ground Contact

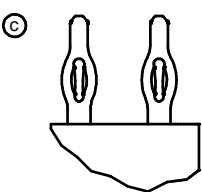
NOTES:

- 1. PCB HOLE DIMENSIONS: SEE DETAIL ON PAGE 2
- 2. MATERIAL:
HOUSING: LCP ; UL 94V-0 RATED; BLACK
CONTACTS: COPPER ALLOY
INTERNAL SHIELDING: STAINLESS STEEL
- 3. FINISH:
MATING AREA: 0,76µm min GOLD over 1,27µm min NICKEL
COMPLIANT PIN AREA: 0,8 - 1,5µm SN100 MATTE over 1,2 - 2µm NI
- 4. PCB THICKNESS: min 1,4mm
- 5. DWV: 80V r.m.s
- 6. INITIAL CONTACT RESISTANCE: 25mOHM max.
- 7. INSERTION FORCE: 100N max.
- 8. EXTRACTION FORCE: 65N max.
- 9. DURABILITY: 200 cycles
- 10. RECOMMENDED PRESS FIT TOOL 36-000050
- 11. CONNECTOR IS PART MARKED: 47-000001 CONEC ABC

6,95 MEASURED TO BOTTOM OF CARD SLOT



B (10:1)



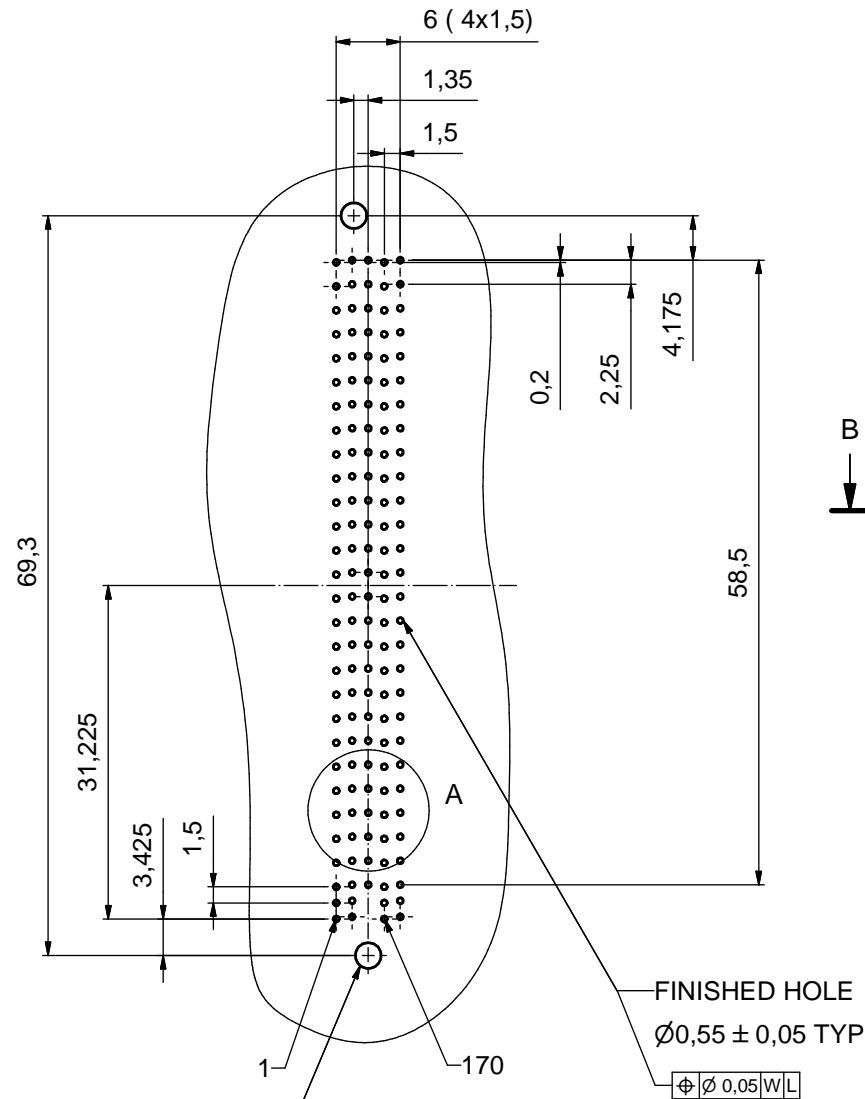
Directive 2002/95/EC
RoHS
Compliant

APPROVAL # FREIGABE # DEBLOCAGE # AUTORIZACION # APPROVAL	
CUSTOMER APPROVAL DATE:	
NAME:	TITLE:
COMPANY NAME:	
APPROVAL # FREIGABE # DEBLOCAGE # AUTORIZACION # APPROVAL	

THIS DRAWING MAY NOT BE COPIED OR REPRODUCED IN ANY WAY, AND MAY NOT BE PASSED ON TO A THIRD PARTY WITHOUT WRITTEN PERMISSION.
OWNERSHIP AND COPYRIGHT OF CONEC GmbH
DO NOT ALTER CAD DRAWING BY HAND

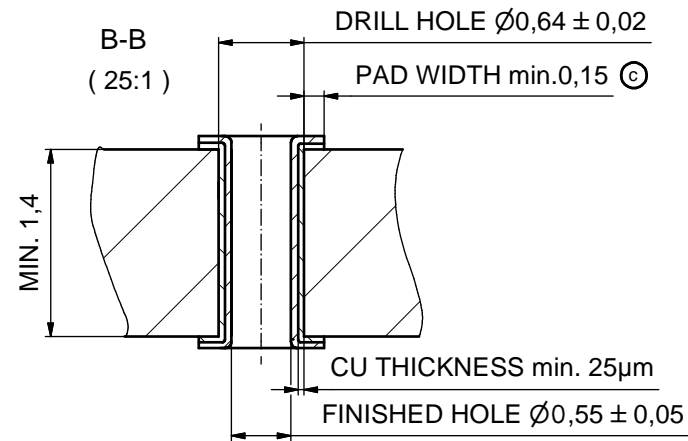
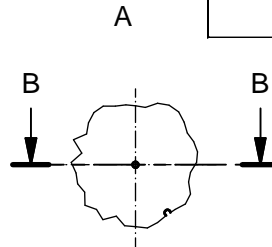
1 x d	Ä3225	15.12.08	Sonne	norm	tolerance	dim. in mm	scale:	2 : 1 (10:1)	
5 x c	Ä2932	22.02.08	HS	d-old	date		name	material:	
3xb	Ä2815	20.09.	Sonne		drawn	28.08.2007	Sonnenberg	title:	
a	Origin				appd.	28.08.2007	Kühle	Micro TCA AMC BACKPLANE CONNECTOR Press Fit	
rev.	description	date	name				dwg no:	Inventor 10	DIN-A3
									sh: 1
							part no:	47-000001	Ⓟ

dwg no:		Inventor 10	DIN-A3
part no:		47-000001	Ⓟ



Functional Contact Pin List of Mating Interface

Power	2, 9, 18, 27, 42, 57, 72, 84
Ground	1, 7, 10, 13, 16, 19, 22, 25, 28, 31, 34, 37, 40, 43, 46, 49, 52, 55, 58, 61, 64, 67, 70, 73, 76, 79, 82, 85, 86, 89, 92, 95, 98, 101, 104, 107, 110, 113, 116, 119, 122, 125, 128, 131, 134, 137, 140, 143, 146, 149, 152, 155, 158, 161, 164, 170
General purpose	3, 4, 5, 6, 8, 17, 26, 41, 56, 71, 83, 165, 166, 167, 168, 169
Differential pairs	11/12, 14/15, 20/21, 23/24, 29/30, 32/33, 35/36, 38/39, 44/45, 47/48, 50/51, 53/54, 59/60, 62/63, 65/66, 68/69, 74/75, 77/78, 80/81, 87/88, 90/91, 93/94, 96/97, 99/100, 102/103, 105/106, 108/109, 111/112, 114/115, 117/118, 120/121, 123/124, 126/127, 129/130, 132/133, 135/136, 138/139, 141/142, 144/145, 147/148, 150/151, 153/154, 156/157, 159/160, 162/163



Ø2,4 ± 0,1
2PLC
±0,05 W/L

APPROVAL # FREIGABE # DEBLOCAGE # AUTORIZACION # APPROVAL

CUSTOMER APPROVAL DATE:

NAME: TITLE:

COMPANY NAME:

APPROVAL # FREIGABE # DEBLOCAGE # AUTORIZACION # APPROVAL

THIS DRAWING MAY NOT BE COPIED OR REPRODUCED IN ANY WAY, AND MAY NOT BE PASSED ON TO A THIRD PARTY WITHOUT WRITTEN PERMISSION. OWNERSHIP AND COPYRIGHT OF CONEC GmbH DO NOT ALTER CAD DRAWING BY HAND

1 x d	Ä3225	15.12.08	Sonne	norm	tolerance	dim. in mm	
5 x c	Ä2932	22.02.08	HS	d-old	date	name	
3xb	Ä2815	20.09.	Sonne		drawn	28.08.2007	Sonnenberg
a	Origin				appd.	28.08.2007	Kühle
rev.	description	date	name				

scale: 2:1 ; (25:1)

material:

title: Micro TCA
AMC BACKPLANE CONNECTOR
Press Fit

dwg no: Inventor 10 DIN-A3
sh: 2

part no: see sheet 1

