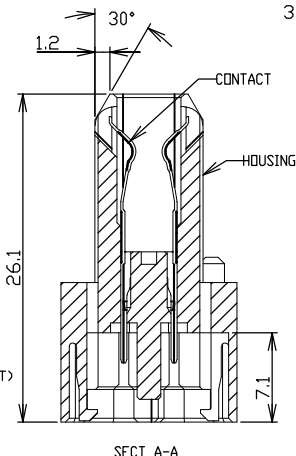
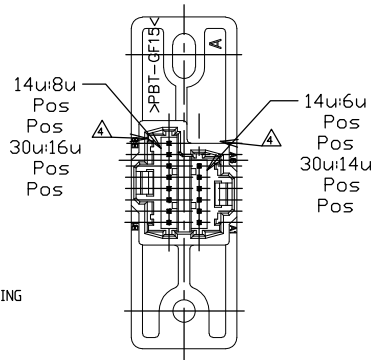
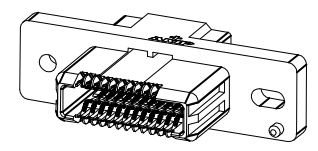
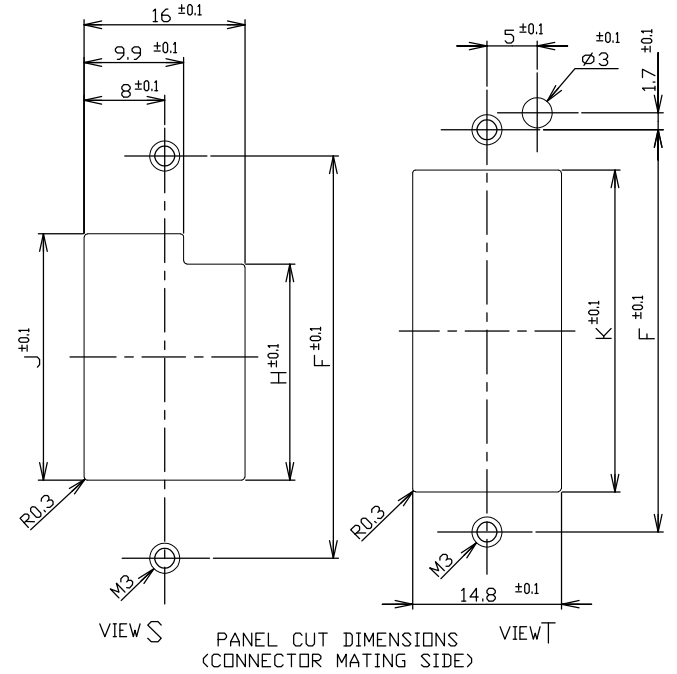
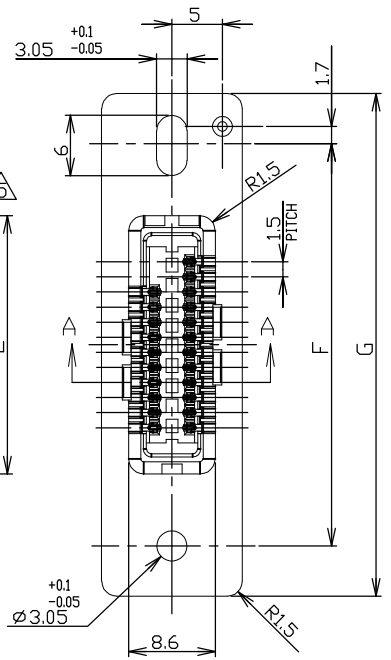
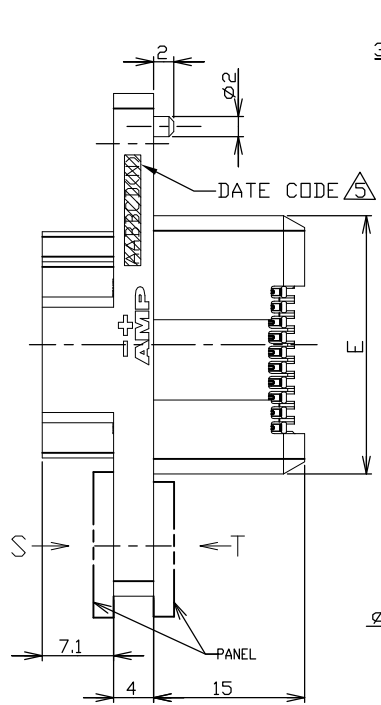
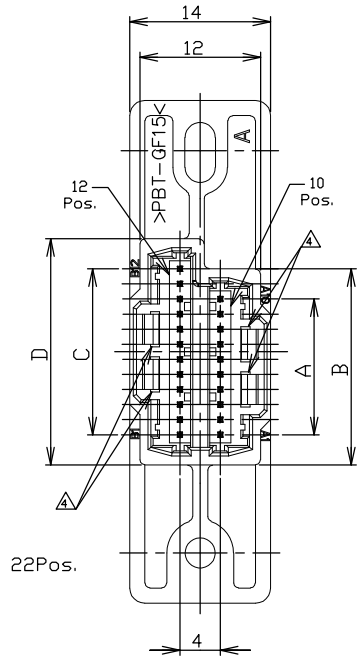


THIS DRAWING IS UNPUBLISHED. RELEASED FOR PUBLICATION
 © COPYRIGHT BY TYCO ELECTRONICS CORPORATION. ALL RIGHTS RESERVED.

LOC		DIST		REVISIONS				DATE	DWN	APVD
FB		00		P	LTR	DESCRIPTION				
		A1		REVISED ECR-07-028230				26NOV07	A.L	S.Y



NOTES:
 ① USE WITH MT REC. CONN P/N: X-353293-X
 CRIMP HSG P/N: X-353908-X
 CRIMP CONT P/N: 353907-1
 353918-1(L/P)

MATERIAL:
 HOUSING: PBT G.F. UL94V-0 COLOR: BLACK
 CONTACT: PHOS-BRONZE UNDERPLATE.
 FINISH:
 △ DRAWER MATING AREA: GOLD OVER NICKEL
 MINI CT MATING AREA: TIN OVER NICKEL UNDERPLATE.
 △ LOCK: 14Pos-1LOCK/ROW, 22Pos-2LOCKS/ROW,
 30Pos-3LOCKS/ROW
 △ LOCATION OF DATE CODE: AABBCD(N)
 (AA: YEAR, BB: WEEK, C: DAY OF WEEK, D: DAYTIME, N: NIGHT)

TOLERANCES UNLESS OTHERWISE SPECIFIED:
 10 > : ±0.2
 30 > * > 10 : ±0.25
 100 > * > 30 : ±0.3
 ANGLE : ±3°

THIS DRAWING IS A CONTROLLED DOCUMENT FOR TYCO ELECTRONICS CORPORATION
 IT IS SUBJECT TO CHANGE AND THE CONTROLLING ENGINEERING ORGANIZATION
 SHOULD BE CONTACTED FOR THE LATEST REVISION.

DIMENSIONS:	TOLERANCES UNLESS OTHERWISE SPECIFIED
MM	0 PLC ±0.1
	1 PLC ±0.1
	2 PLC ±0.01
	3 PLC ±0.001
	4 PLC ±0.0001
	ANGLES ±
MATERIAL	FINISH
SEE NOTE	SEE NOTE

DWN	31JAN03
CHK	S.XU
CHK	S.YAD
APVD	31JAN03
PRODUCT SPEC	T.SASAKI
APPLICATION SPEC	108-60026
WEIGHT	SEE TABLE
CUSTOMER DRAWING	SEE TABLE

WIRE RANGE	DIMENSIONS										INSULATION DIA	
(g)	K	J	H	G	F	E	D	C	B	A	Pos.	P/N
9.1	38	30.5	27.5	56	46	31.7	28.5	22.5	25.5	19.5	30	3-292236-0
7.7	32	24.5	21.5	50	40	25.7	22.5	16.5	19.5	13.5	22	2-292236-2
6.3	26	18.5	15.5	44	34	19.7	16.5	10.5	13.5	7.5	14	1-292236-4

Tyco Electronics Tyco Electronics Corporation
 Shanghai, PRC

NAME: REC ASS'Y for DC TYPE
 1.5mm PITCH MINI CT DRAWER CONNECTOR

SIZE	CAGE CODE	DRAWING NO	RESTRICTED TO
A3	00779	©=292236	

SCALE: NON SHEET 1 OF 1 REV A1