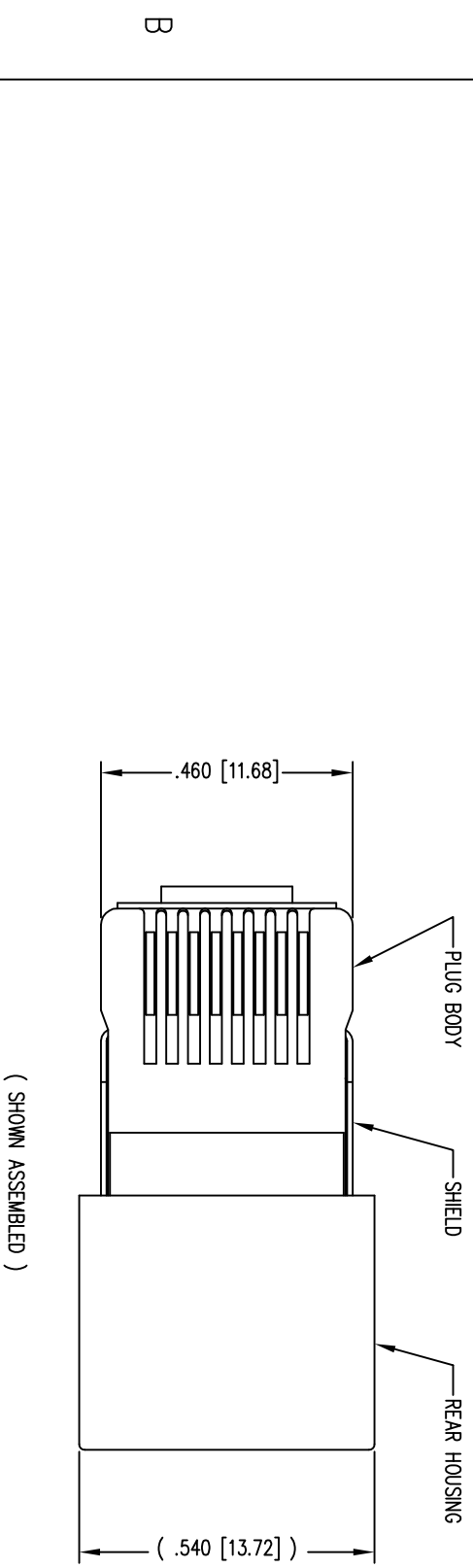
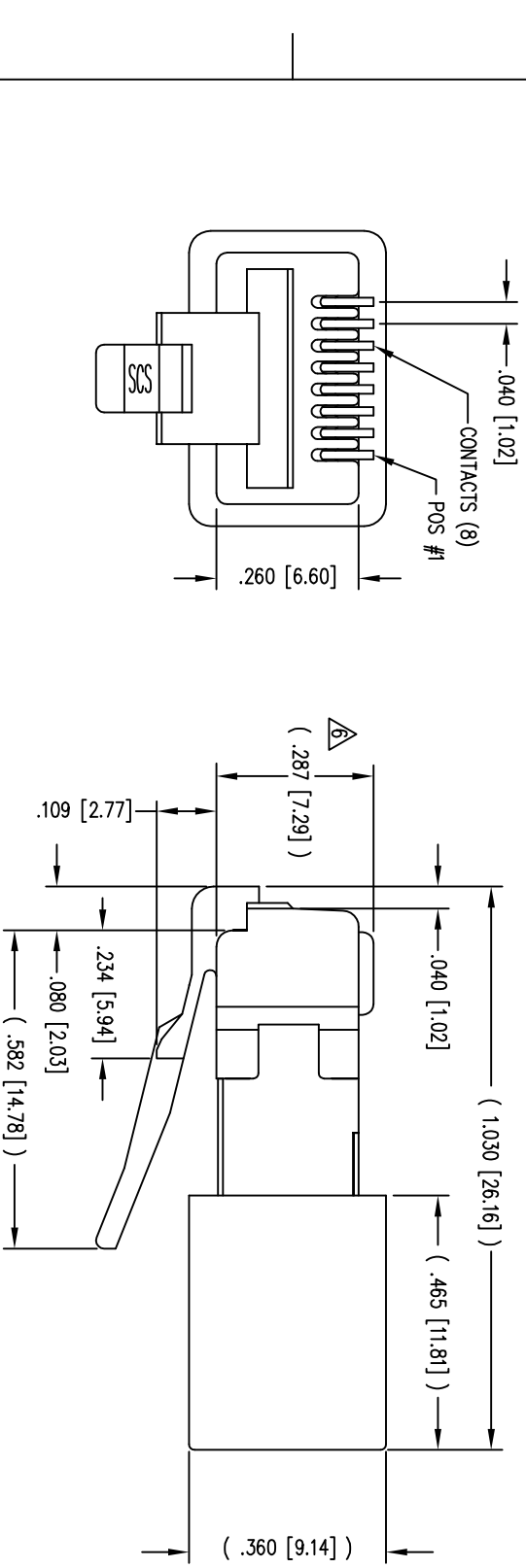


DATE	REV	EON	APP'D. BY
2-06-09	B4	8652	TA
6-25-09	B5	8769	JM
2-14-11	B6	9128	TRM
5-23-12	B7	9477	SMN



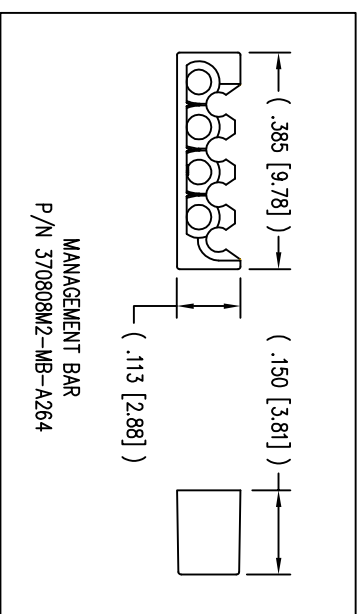
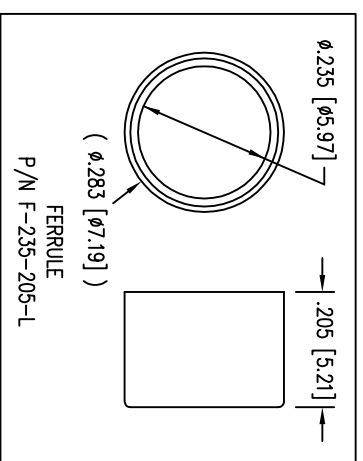
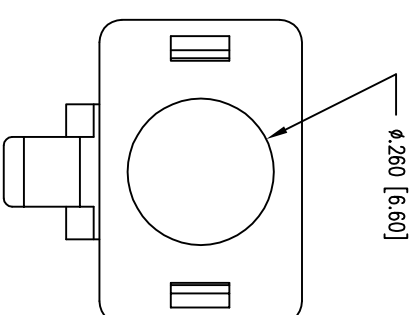
B

B



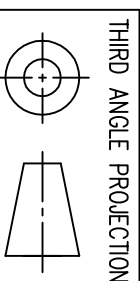
A

A



BAG OF 50	50 MICRO-INCHES [1.27um]	SS-37000-005
BULK	50 MICRO-INCHES [1.27um]	943-SP-370808SM2-A264
PACKAGE	CONTACT PLATING IN MATING AREA	PART NUMBER

- NOTES:
- 1- PLUG KIT CONSISTS OF :
PRE-INSERTED PLUG HOUSING & SHIELD
MANAGEMENT BAR
FERRULE
 - 2- MATERIALS :
FRONT HOUSING PLASTIC : CLEAR POLYCARBONATE, UL 94-V0
MANAGEMENT BAR : CLEAR POLYCARBONATE, UL 94-V0
SHIELD : TIN PLATED BRASS
CONTACTS : PHOSPHOR BRONZE, SELECTIVE GOLD PLATING
FERRULE : NICKEL OR TIN PLATED BRASS
 - 3- CONTACTS TERMINATE STRANDED & SOLID CONDUCTORS UP TO .042 [1.07] OUTSIDE DIAMETER OF INSULATION.
 - 4- FOR PRODUCT SPECIFICATION SEE PRO26-01.
 - 5- DIMENSIONS AND TOLERANCES COMPLY WITH TIA-1096 STANDARD.
 - △ TERMINATED PLUG HEIGHT: .237 [6.02] ±.005 [0.13] ON CABLE
 - 7- DESIGNED FOR CATEGORY 5/e APPLICATIONS.

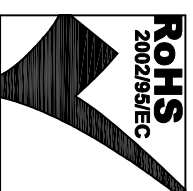


THIRD ANGLE PROJECTION

DO NOT SCALE DRAWING
DRAWING IS SUBJECT TO
CHANGE WITHOUT NOTICE

DIMENSIONS: INCHES [METRIC]
UNLESS OTHERWISE SPECIFIED
TOLERANCES ARE ±.005 [0.13]
ANGLES ARE ± 1°

SHEET NO. 1 OF 1



Bel Stewart Connector
11118 Susquehanna Trail South
Glen Rock, PA 17327-9199
(717) 235-7512 Fax: (717) 235-7954
<http://www.stewartconnector.com>

THIS DRAWING AND THE SUBJECT MATTER SHOWN THEREON ARE
CONFIDENTIAL, AND THE PROPRIETARY PROPERTY OF BEL STEWART CONNECTOR
AND SHALL NOT BE REPRODUCED, COPIED, OR USED IN ANY MANNER WITHOUT
PRIOR WRITTEN CONSENT OF BEL STEWART CONNECTOR. THIS PRODUCT
MAY BE PROTECTED BY ONE OR MORE OF THE FOLLOWING US PATENTS:
5628847 6402559 6409535 6524728
7753717 8033863
OTHER PATENTS MAY BE PENDING.

DRN BY:	TRM	DATE	1-24-03
APP'D BY: <td>RGC</td> <td>DATE</td> <td>2-7-03</td>	RGC	DATE	2-7-03
DWG NO.	CT370007	REV.	B7