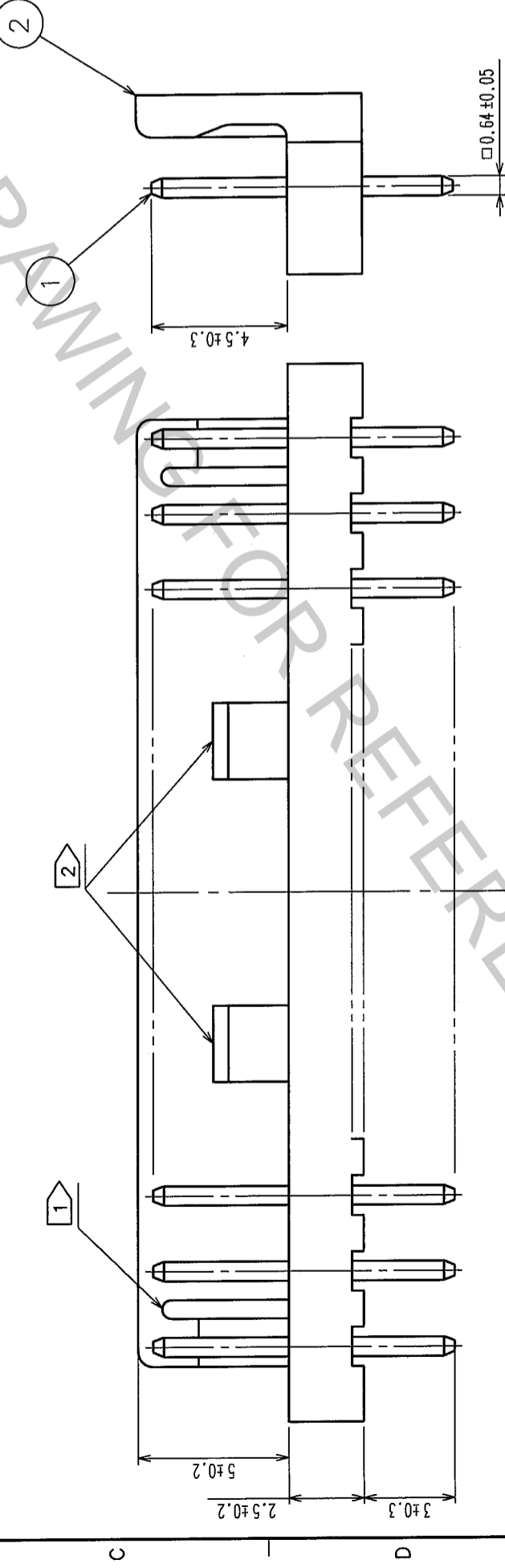
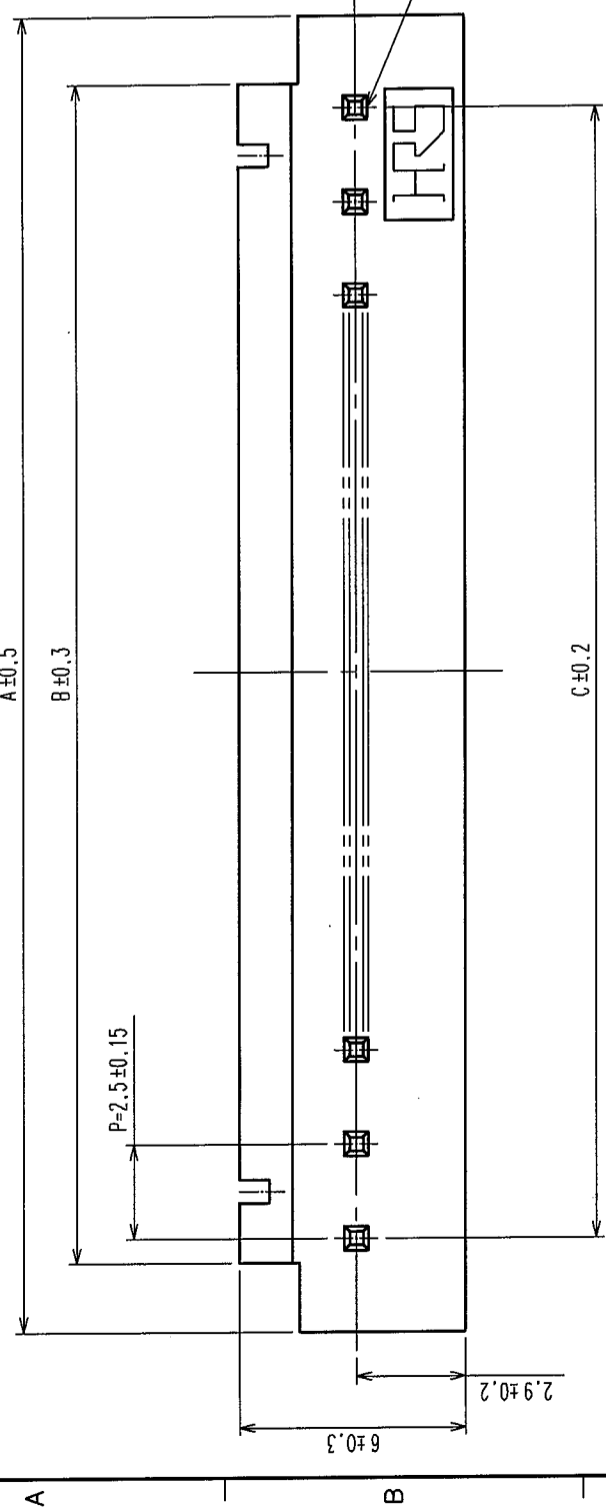
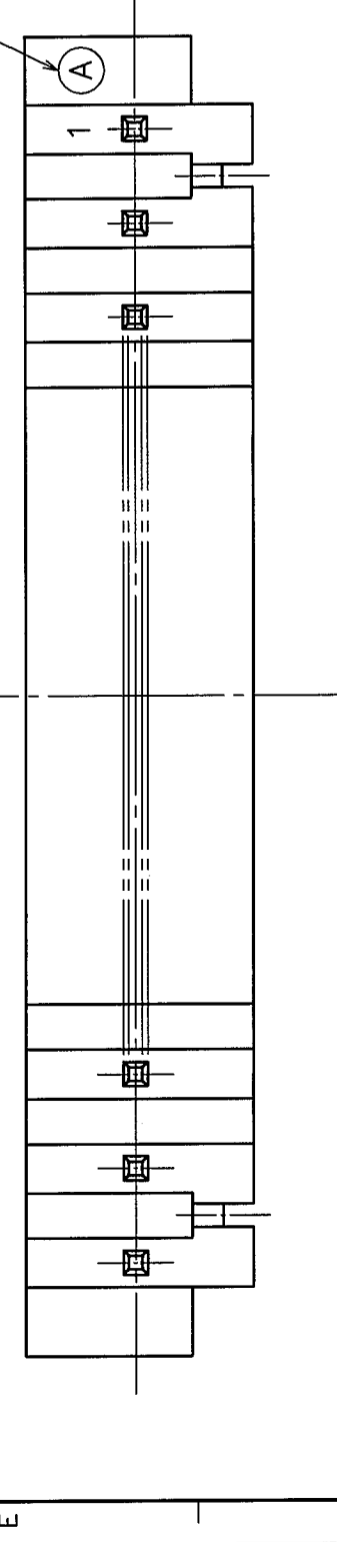


NO.	COUNT	DESCRIPTION OF REVISIONS	BY	CHKD	DATE	COUNT	DESCRIPTION OF REVISIONS	BY	CHKD	DATE
1	1					1				
2	1					1				
3	1					1				
4	1					1				
5	1					1				



NOTES: 1: 2 POSITION TO BE SLOTTED AT CENTER FOR ONE LOCATION OTHER POSITIONS TO BE 2 LOCATIONS AS SHOWN IN FIGURE.
 2: IN THE CASE OF 2 TO 6 CONTACTS, THERE IS NO MIS-INSERTION DEPRESSION. FOR 7 TO 12 CONTACTS, ONE MIS-INSERTION DEPRESSION. FOR OTHERS, 2 MIS-INSERTION DEPRESSION AS SHOWN IN A FIGURE.

CAVITY NO.



PART NO.	CODE NO.	NUMBER OF CONTACTS	A	B	C
DF1-2P-2.5DSA(05)	541-0001-0-05	2	7.5	3.8	2.5
DF1-3P-2.5DSA(05)	541-0002-2-05	3	10.0	6.3	5.0
DF1-4P-2.5DSA(05)	541-0003-5-05	4	12.5	8.8	7.5
DF1-5P-2.5DSA(05)	541-0004-8-05	5	15.0	11.3	10.0
DF1-6P-2.5DSA(05)	541-0005-0-05	6	17.5	13.8	12.5
DF1-7P-2.5DSA(05)	541-0006-3-05	7	20.0	16.3	15.0
DF1-8P-2.5DSA(05)	541-0007-6-05	8	22.5	18.8	17.5
DF1-9P-2.5DSA(05)	541-0008-9-05	9	25.0	21.3	20.0
DF1-10P-2.5DSA(05)	541-0009-1-05	10	27.5	23.8	22.5
DF1-11P-2.5DSA(05)	541-0010-0-05	11	30.0	26.3	25.0
DF1-12P-2.5DSA(05)	541-0011-3-05	12	32.5	28.8	27.5
DF1-13P-2.5DSA(05)	541-0012-6-05	13	35.0	31.3	30.0
DF1-14P-2.5DSA(05)	541-0013-9-05	14	37.5	33.8	32.5
DF1-15P-2.5DSA(05)	541-0014-1-05	15	40.0	36.3	35.0
DF1-16P-2.5DSA(05)	541-0015-4-05	16	42.5	38.8	37.5
DF1-18P-2.5DSA(05)	541-0017-0-05	18	47.5	43.8	42.5
DF1-20P-2.5DSA(05)	541-0019-5-05	20	52.5	48.8	47.5

1	BRASS	SURFACE: TIN PLATED 1μm min UNDER PLATING: NICKEL 0.5μm min	2	POLYAMIDE	PALE BROWN, UL94V-0
NO.	MATERIAL	FINISH, REMARKS	NO.	MATERIAL	FINISH, REMARKS
CODE NO. (OLD)	CL		DESIGNED	CHECKED	APPROVED
			DESIGNED	CHECKED	APPROVED
			M. Nakamoto	J. Oka	J. Oka
			'04.04.16	04.04.16	04.04.16
DRAWING NO.		PART NO.		RELEASED	
EDC3-162342-10		DF1-*P-2.5DSA(05)			
SCALE	5 : 1	CODE NO.	CL541-		
UNITS	mm				