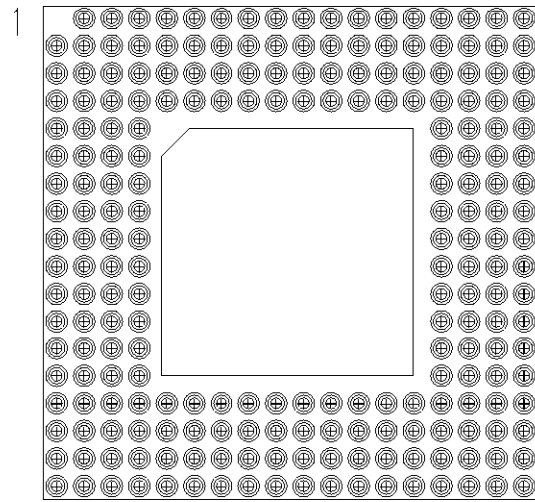


DRAWING NO
C - 210815



223 positions

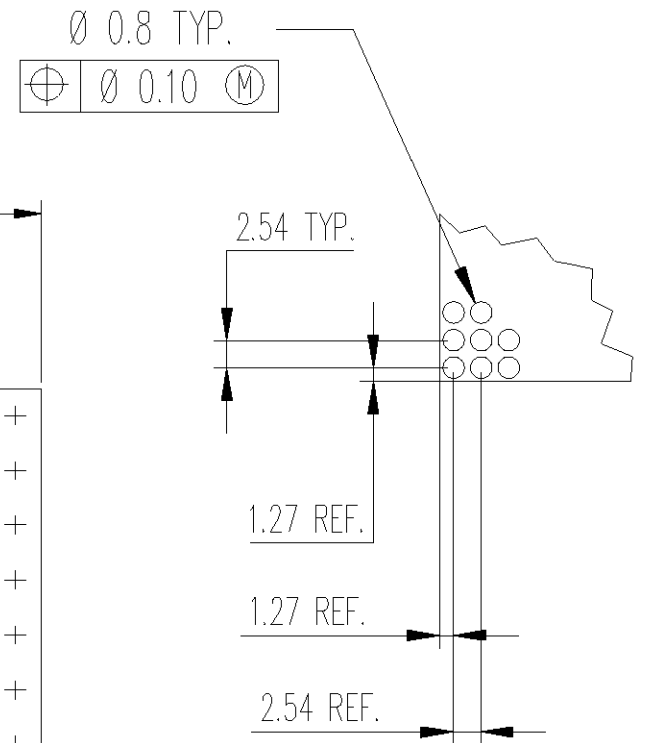
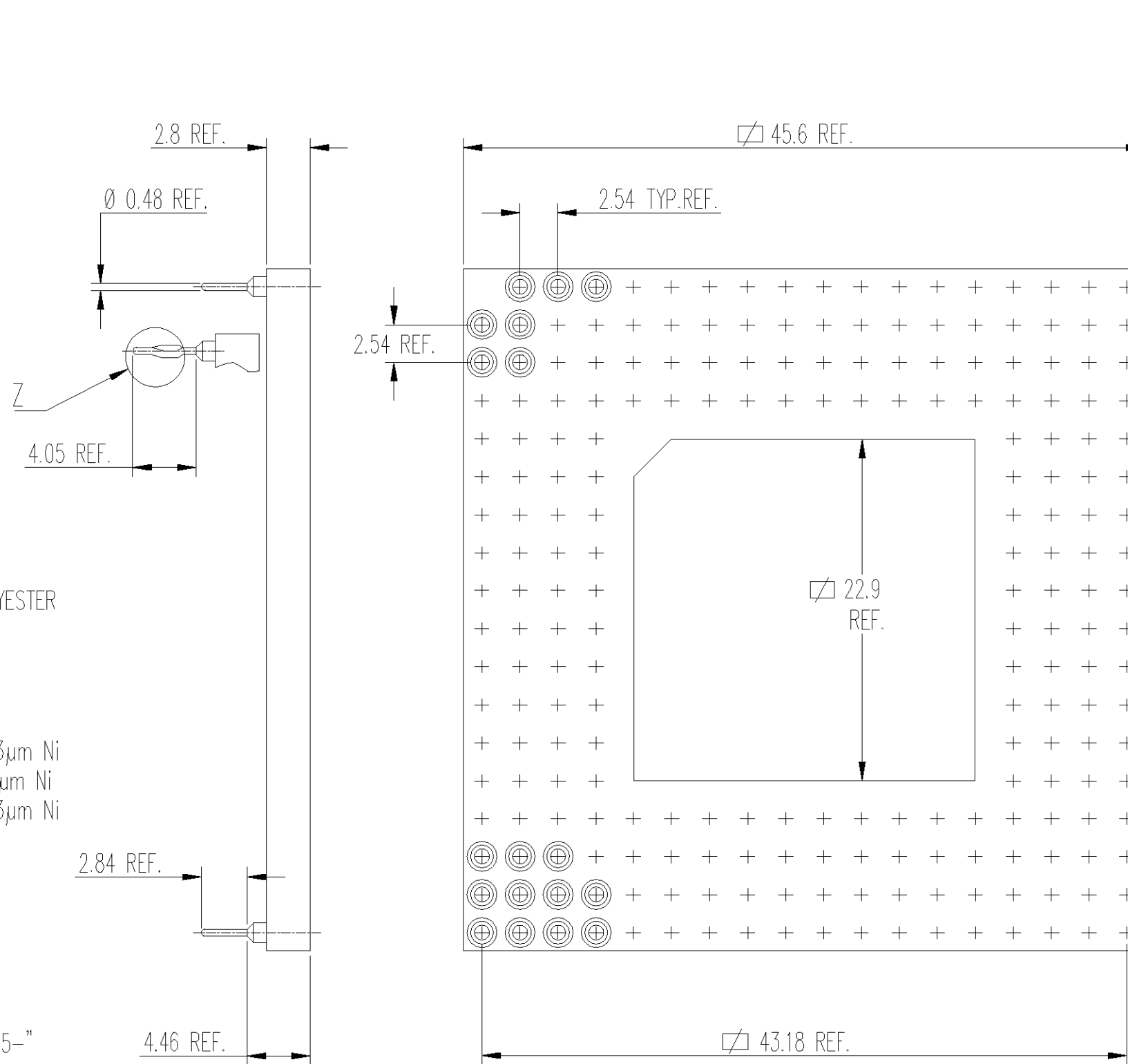
NOTE :

1. MATERIAL
 - INSULATOR : GLASSFILLED THERMOPLASTIC POLYESTER
 - SOLDER TAIL SLEEVE : BRASS
 - PRESS-FIT SLEEVE : PHOSPHOR BRONZE
 - CLIP : STAMPED BERYLLIUM COPPER
2. SLEEVE PLATING:
 - PREFIX "0-" AND "2-": 5µm Sn/Pb OVER 2-3µm Ni
 - PREFIX "1-" AND "3-": 0.25µm Au OVER 2-3µm Ni
 - PREFIX "4-" AND "5-": 3µm Sn/Pb OVER 2-3µm Ni
3. INNER CONTACT PLATING
 - SUFFIX "-1" 0.25µm 18c. Au
 - SUFFIX "-3" 0.75µm 18c. Au
 - SUFFIX "-4" 0.75µm 24c. Au
 - SUFFIX "-5" 5µm MIN. Sn/Pb **
 - SUFFIX "-6" 0.1µm FLASH 24c. Au

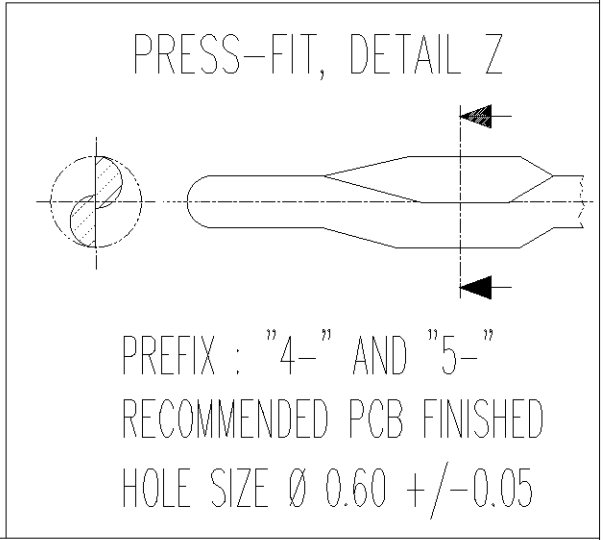
- ** ONLY WITH PREFIX "0-", "2-", "4-" AND "5-"
4. INNER SPRING CONTACT ACCEPT Ø 0.40 TO 0.56
OR RECTANGULAR PIN 0.25 x 0.45
5. INSERTION CHARACTERISTICS:
 - PREFIX "0-", "1-" AND "4-": VERY LOW FORCE
 - PREFIX "2-", "3-" AND "5-": ULTRA LOW FORCE
6. MECHANICAL DATA WITH A Ø 0.43 TEST PIN :

	VLI	ULI
-MAX. INSERTION FORCE :	0.7N	0.2N
-MIN. EXTRACTION FORCE :	0.1N	0.05N
-MECHANICAL LIFE : 100 CYCLES MIN.		

WAS 700-223-1-18-0-CC AND CCAP



RECOMMENDED P.C.
BOARD PATTERN



PREFIX : "4-" AND "5-"
RECOMMENDED PCB FINISHED
HOLE SIZE Ø 0.60 +/- 0.05

DIMENSIONS	mm						DRAWN P.-A. MEIER	01 APR 98	THIS INFORMATION IS CONFIDENTIAL AND IS DISCLOSED TO YOU ON CONDITION THAT NO FUTHER DISCLOSURE IS MADE BY YOU TO OTHER THAN AMP PERSONNEL WITHOUT WRITTEN AUTHORIZATION FROM DSM SWITZERLAND.			
							CHECKED A. BOLIS	02 APR 98				
SURFACE TEXTURE							APPROVED BOLIS A	06 JUN 02				
CONCENTRICITY		0.15	01	EW00 0147 02	A. BOLIS	06 JUN 02	SKEMPTER	CUSTOMER DRAWING	NAME OPEN FRAME PGA			
PRODUCT SPEC.			P	REV	ECN	DRWN	DATE	APVD	FOR REFERENCE ONLY			
AMP DSM DECOLLETAGE SA SAINT-MAURICE CH 1890 SAINT-MAURICE (VS)							LOC EK	SCALE 2/1	SIZE A4	DRAWING NO C - 210815	SHEET 1 of 1	REVISION 01