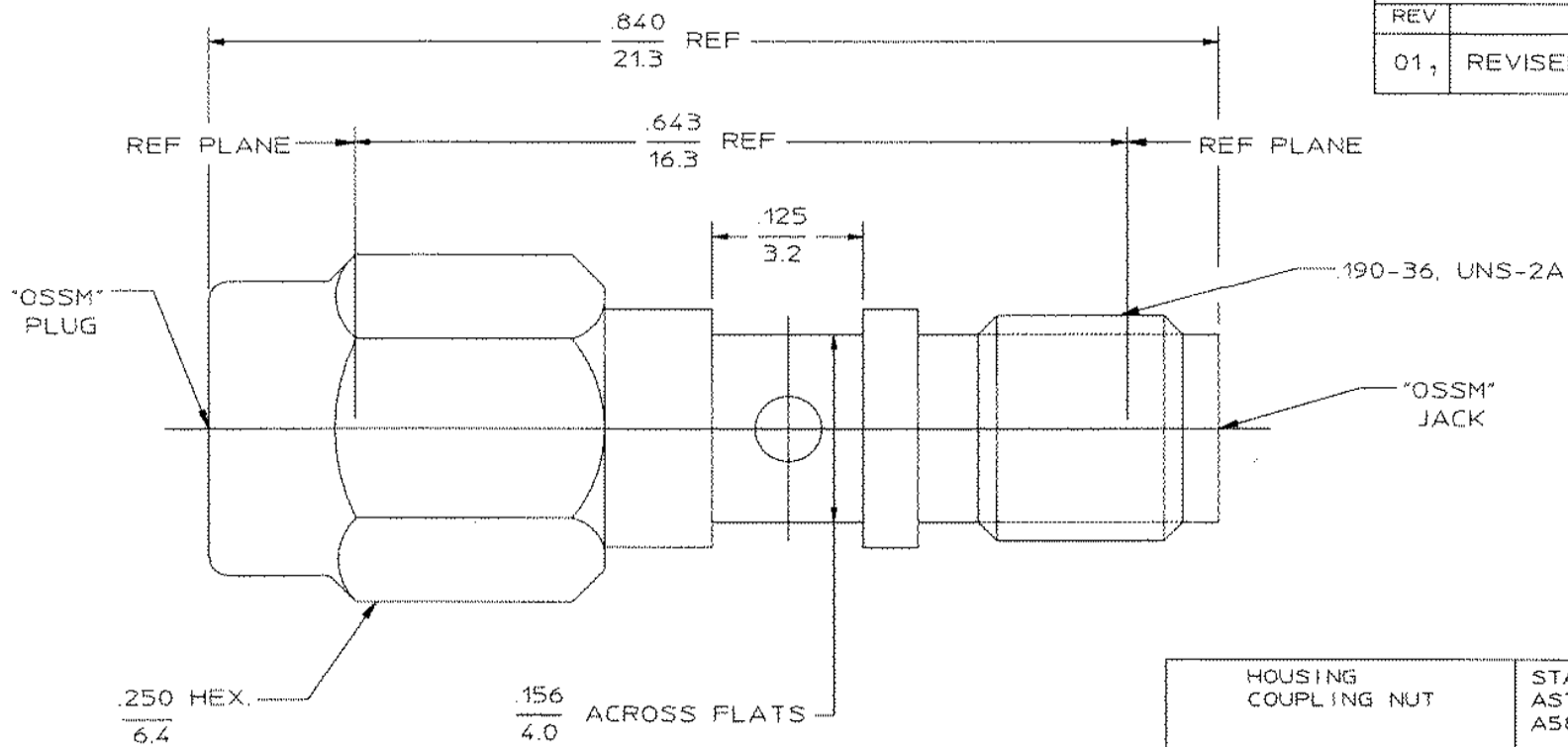


REVISIONS			
REV	DESCRIPTION	DATE	APPROVED
01,	REVISED	8/7/96	[Signature] 8/7/96



HOUSING COUPLING NUT	STAINLESS STEEL PER ASTM-A484 AND ASTM-A582, TYPE 303	PASSIVATED PER QQ-P-35
DIELECTRIC	TFE FLUOROCARBON PER ASTM-D-1457	N/A
CENTER CONTACT	BERYLLIUM COPPER PER ASTM-B-196 OR ASTM-B-197, ALLOY C17300, CONDITION H	GOLD PLATE PER MIL-G-45204
RETAINING RING	BERYLLIUM COPPER PER ASTM-B-194, ALLOY C17200, CONDITION H	N/A
GASKET	SILICONE RUBBER PER ZZ-R-765	N/A

COMPONENT	MATERIAL	FINISH
-----------	----------	--------

UNLESS OTHERWISE SPECIFIED DIMENSIONS ARE IN INCHES	DRAWN BY	10/23/79
	CHECKED BY	10/26/79
	APP'D BY JK	11/02/79

M/A COM
an AMP company
M/A-COM, Inc.
Waltham, MA 02254

TITLE "OSSM" JACK TO "OSSM" PLUG ADAPTER

NO. AP.	N/A
SIZE	B
CODE IDENT NO.	26805
REV	01,
SCALE	8:1
SHEET 1 OF 1	

NOTES:
1. CAPTURED CENTER CONTACT

.XXX = In
XX.X = mm (REF)

CUSTOMER 1045708