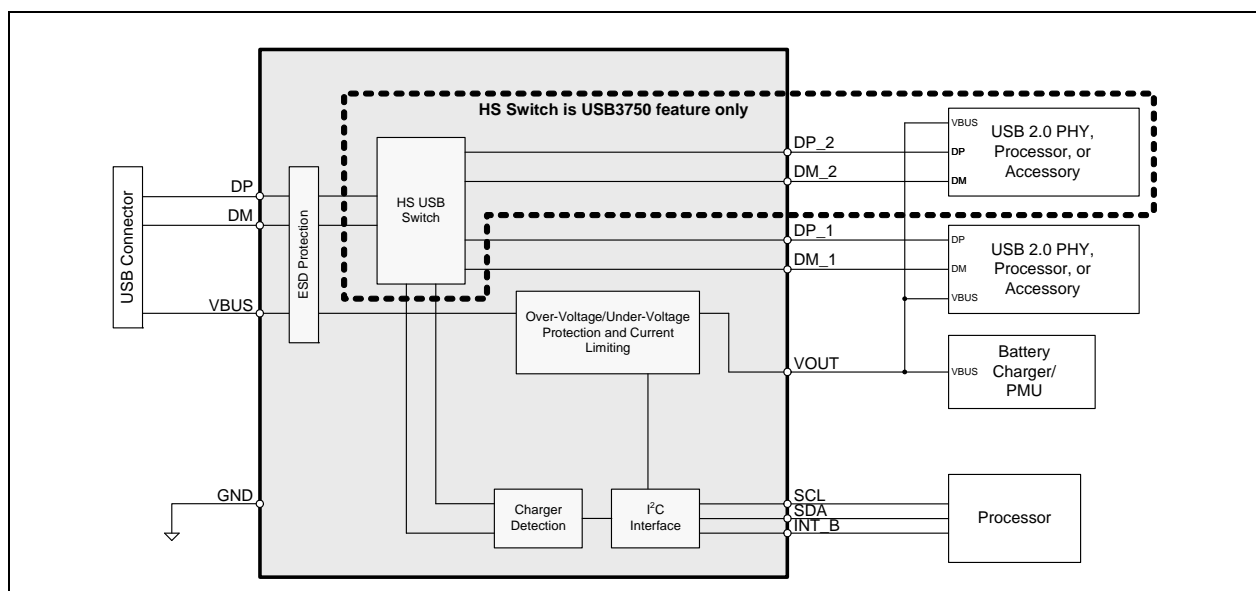


USB 2.0 Protection IC with Battery Charger Detection

Features

- **VBUS Over-Voltage Protection**
 - Protects internal circuits from VBUS up to 9V
 - Over-Voltage/Under-Voltage Lockout opens VBUS switch
 - Interrupt to indicate Over-Voltage/Under-Voltage Lockout
 - Integrated Low $R_{DS(on)}$ FET
- **USB Port ESD Protection (DP/DM/VBUS)**
 - $\pm 15\text{kV}$ (air discharge)
 - $\pm 15\text{kV}$ (contact discharge)
 - IEC 61000-4-2 level 4 ESD protection without external devices
- **High Speed USB Mux for multiplexing the USB lanes between different functions (USB3750 only)**
 - Switch the USB connector between two different functions
 - High bandwidth USB switch passes HS USB signals
- **Provides USB Battery Charger Detection for:**
 - USB-IF Battery Charging compliant Dedicated Charging Ports (DCP)
 - USB-IF Battery Charging compliant Charging Downstream Port (CDP)
 - Standard Downstream Port (SDP); i.e. USB host or downstream hub port
 - Dedicated SE1 type chargers
- **Dead Battery Provision Support (USB375x-1 only)**
 - Allows 100 mA trickle charging from VBUS when attached to a Standard Downstream Port (SDP) while not enumerated
 - Built-in 100mA current limiting option
- **Microchip RapidCharge Anywhere™ Provides:**
 - 3-times the charging current through a USB port over traditional solutions
 - USB-IF Battery Charging 1.2 compliance to any portable device
 - Charging current up to 1.5Amps via compatible USB host or dedicated charger
 - Dedicated Charging Port (DCP), Charging (CDP) & Standard (SDP) Downstream Port support
- **flexPWR® Technology**
 - Extremely low current design ideal for battery powered applications
 - Maximizes power delivered to the system
- **Industrial Operating Temperature -40°C to $+85^{\circ}\text{C}$**
- **16-Pin QFN RoHS compliant package; (3.0 mm x 3.0 mm x 0.9 mm height)**

USB375x Block Diagram



TO OUR VALUED CUSTOMERS

It is our intention to provide our valued customers with the best documentation possible to ensure successful use of your Microchip products. To this end, we will continue to improve our publications to better suit your needs. Our publications will be refined and enhanced as new volumes and updates are introduced.

If you have any questions or comments regarding this publication, please contact the Marketing Communications Department via E-mail at docerrors@microchip.com. We welcome your feedback.

Most Current Data Sheet

To obtain the most up-to-date version of this data sheet, please register at our Worldwide Web site at:

<http://www.microchip.com>

You can determine the version of a data sheet by examining its literature number found on the bottom outside corner of any page. The last character of the literature number is the version number, (e.g., DS30000000A is version A of document DS30000000).

Errata

An errata sheet, describing minor operational differences from the data sheet and recommended workarounds, may exist for current devices. As device/documentation issues become known to us, we will publish an errata sheet. The errata will specify the revision of silicon and revision of document to which it applies.

To determine if an errata sheet exists for a particular device, please check with one of the following:

- Microchip's Worldwide Web site; <http://www.microchip.com>
- Your local Microchip sales office (see last page)

When contacting a sales office, please specify which device, revision of silicon and data sheet (include -literature number) you are using.

Customer Notification System

Register on our web site at www.microchip.com to receive the most current information on all of our products.

Table of Contents

1.0 Introduction	4
2.0 Pin Layout	5
3.0 Electrical Specifications	7
4.0 General Operation	12
5.0 Application Notes	22
6.0 Package Information	25
Appendix A: Data Sheet Revision History	27
The Microchip Web Site	28
Customer Change Notification Service	28
Customer Support	28
Product Identification System	29

USB375x

1.0 INTRODUCTION

The USB375x integrates many features that have historically been discrete devices in a mobile product. This device provides significant VBUS protection for the entire system, robust USB interface ESD protection, a USB 2.0 compliant High Speed switch, and USB-IF Battery Charger Detection (revision 1.2) capabilities that are essential to the latest mobile products.

Several advanced features allow the USB375x to be optimized for portable applications and to reduce both eBOM part count and printed circuit board (PCB) area. Outstanding ESD robustness eliminates the need for external ESD protection devices.

In addition to the integrated ESD protection on the USB interface, the USB375x provides VBUS Over-Voltage Protection (OVP).

The USB375x integrated battery charger detection circuitry supports USB-IF Battery Charger Detection. Battery charger detection will begin automatically whenever VBUS rises above the UVLO threshold, and can also be completed manually through the I²C interface. The USB375x can detect a range of USB battery chargers including a Standard Downstream Port (SDP), a Charging Downstream Port (CDP), and a Dedicated Charging Port (DCP). For more information on USB battery charger detection, please see the USB Battery Charging Specification, Revision 1.2 ([Note 1](#)).

The I²C interface gives processor control over the USB Switch, charger detection, OVLO settings, and status of the USB375x. In addition, custom charger detection can be implemented through the I²C interface.

The USB375x family is enabled with Microchip's RapidCharge Anywhere™ which supports USB-IF Battery Charging 1.2 for any portable device ([Note 1](#)). RapidCharge Anywhere™ provides three times the charging current through a USB port over traditional solutions which translate up to 1.5 amps via compatible USB host or dedicated charger. In addition, this provides a complete USB charging ecosystem between device and host ports such as Dedicated Charging Port (DCP), Charging (CDP) and Standard (SDP) Downstream Ports.

1.1 Reference Documents

- Universal Serial Bus Specification, Revision 2.0
- USB Battery Charging Specification, Revision 1.2 ([Note 1](#))

Note 1: The device's Data Contact Detect Timeout parameter does not conform to the USB Battery Charging Specification. However, this will not affect other factors in charger detection. Refer to [Table 3-2, "Electrical Specifications,"](#) on [page 7](#) for additional information.

2.0 PIN LAYOUT

2.1 Pin Diagram

The USB375x is available in a QFN (3 x 3 mm) package. The USB3750 pin diagram is detailed in [Figure 2-1](#). The USB3751 pin diagram is detailed in [Figure 2-2](#).

FIGURE 2-1: QFN PACKAGE DIAGRAM (USB3750)

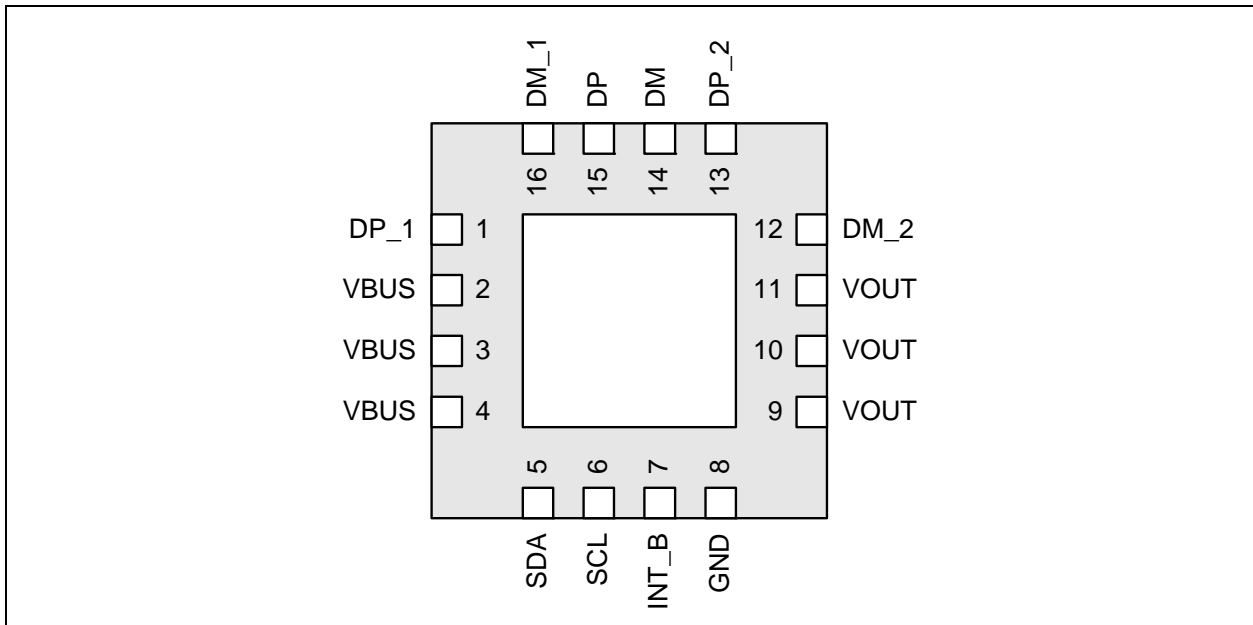
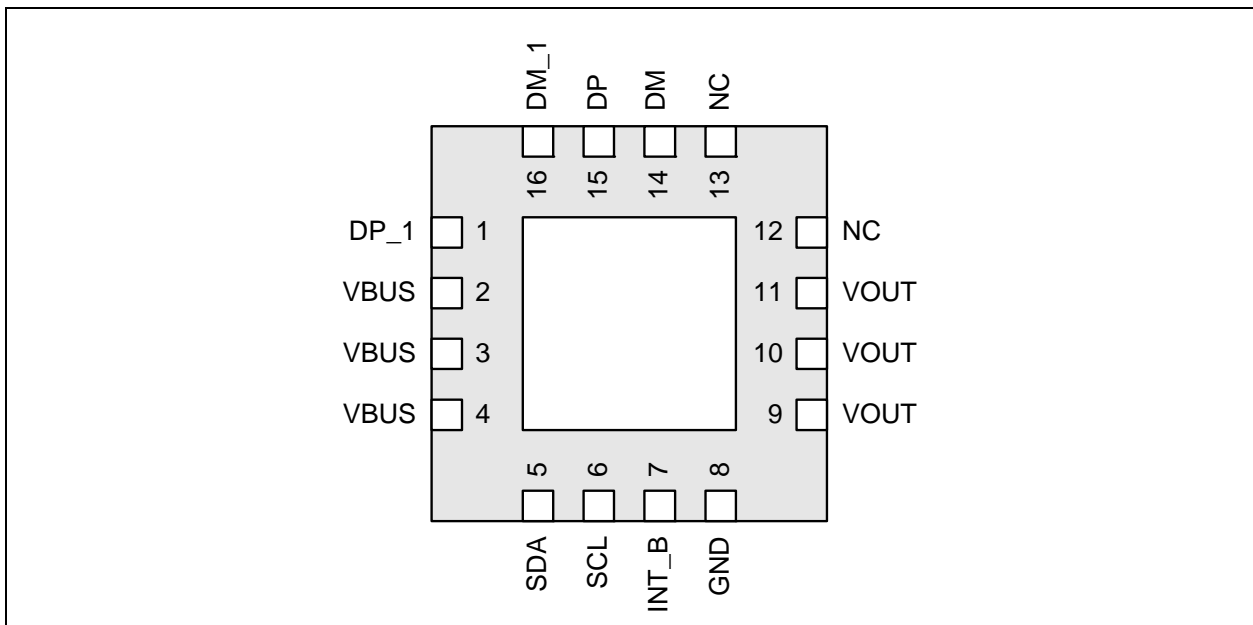


FIGURE 2-2: QFN PACKAGE DIAGRAM (USB3751)



USB375x

2.2 Pin Definitions

The following table details the ball/pin definitions for the package diagrams above.

Pin	Name	Type/ Direction	Description
15	DP	Analog	USB Mux Output
14	DM	Analog	
1	DP_1	Analog	USB Mux Input 1
16	DM_1	Analog	
13	DP_2 / NC	Analog	USB Mux Input 2 (USB3750 Only) These pins are No Connects for the USB3751 (do not connect)
12	DM_2 / NC	Analog	
8	GND	Analog	Ground. The QFN package flag should also connected to ground.
6	SCL	Input	I ² C Clock input. This pin is an open drain output and requires a 10Kohm pull-up.
5	SDA	Open Drain/ IO	Bi-Directional I ² C data. This pin is an open drain output and requires a 10Kohm pull-up.
7	INT_B	Open Drain/ Output	Open Drain Interrupt. This pin is an open drain output that is pulled low when an interrupt occurs. A 10Kohm pull-up is required on this pin.
9	VOUT	Analog	Overvoltage switch output. This pin is connected to VBUS when the overvoltage protection switch is enabled. It is also the output of the 100mA current limit. The three VOUT pins must be connected together. When VBUS is between UVLO and OVLO VOUT is connected to VBUS . When VBUS is below UVLO or above OVLO the USB375x will tri-state.
10			
11			
2	VBUS	Analog	VBUS pin of the USB connector. The three VBUS pins must be connected together. When the OVP switch is closed, the VBUS pin will be isolated from VOUT . When the OVP switch is open, VBUS will be connected to VOUT . The USB375x is powered from this pin.
3			
4			

3.0 ELECTRICAL SPECIFICATIONS

3.1 Absolute Maximum Ratings

TABLE 3-1: ABSOLUTE MAXIMUM RATINGS

Description		Rating	Unit
VBUS Voltage to GND		-0.3 to 9.0	V
VOUT Voltage to GND		-0.3 to 7.5	V
Any other pin to GND		-0.3 to 5.5	V
Operating Temperature Range		-40 to +85	C
Storage Temperature Range		-55 to +150	C
ESD Rating	HBM	8,000	V
	IEC-61000-4-2	15,000 (Air) 15,000 (Contact)	V
ESD Rating (SDA, SCL, INT_B)		HBM	1,500

Stresses beyond the Absolute Maximum Ratings may damage the USB375x.

3.2 Electrical Specifications

TABLE 3-2: ELECTRICAL SPECIFICATIONS

Characteristic	Symbol	MIN	TYP	MAX	Units	Conditions
$V_{VBUS} = 5.0V$, $T_A = -40C$ to $85C$, all typical values at $T_A = 27C$ unless otherwise noted.						
VBUS Characteristics						
VBUS Operating range	V_{VBUS}	2		9	V	
VBUS Over Voltage Lockout (USB3750 Only)	V_{OVLO}	6.2		6.9	V	USB3750 Only
VBUS Over Voltage Lockout (USB3751 Only)	V_{OVLO}	5.45		6.15	V	USB3751 Only
VBUS Under Voltage Lockout	V_{UVLO}	3.3	3.4	3.8	V	
VBUS Over Voltage Hysteresis	V_{OVLO}		100		mV	
VBUS Under Voltage Hysteresis	V_{UVLO}		100		mV	
Operating Current (OVP open)	I_{DD_OFF}		110		uA	$V_{VBUS} < V_{UVLO}$
Operating Current (OVP closed)	I_{DD_ON}	75	115	370	uA	$V_{UVLO} < V_{VBUS} < V_{OVLO}$
Operating Current (100mA Limit enabled)	I_{DD}	150	185	480	uA	$V_{UVLO} < V_{VBUS} < V_{OVLO}$
VBUS Switch Characteristics						
Overvoltage Switch ON Resistance	R_{ON_VBUS}		70		mohm	QFN package
Overvoltage Switch Current				1.8	A	$V_{UVLO} < V_{VBUS} < V_{OVLO}$
Overvoltage Switch OFF Leakage	I_{OFF_VBUS}			1	uA	$V_{VBUS} = 5.0V$; $V_{OUT} = 0V$
VBUS Resistance to Ground	R_{VBUS}	100			Kohm	
VBUS Capacitance	C_{VBUS}	1.0			uF	
Charger Detection Characteristics $4.4 < V_{BUS} < 5.5V$						
DP and DM leakage				1	uA	$0.0V < V_{pin} < 3.3V$
Data Source Voltage	V_{DAT_SRC}	0.5		0.7	V	$I_{DAT_SRC} > 250uA$
Data Detect Voltage	V_{DAT_REF}	0.25		0.4	V	

USB375x

TABLE 3-2: ELECTRICAL SPECIFICATIONS (CONTINUED)

Characteristic	Symbol	MIN	TYP	MAX	Units	Conditions
Data Connect Detect Current Source	I _{DP_SRC}	7		13	uA	
Data Sink Current	I _{DAT_SINK}	50		150	uA	
DP/DM Single Ended RX Threshold	V _{SE_RX}	0.8		1.95	V	4.75V < V _{BUS} < 5.25V
SE1 High Current Charger RX Threshold	V _{SE_RXH}	2.1		2.56	V	4.75V < V _{BUS} < 5.25V
DP/DM Pull Down Resistors	R _{PD}	14.25		24.8	Kohm	
USB Mux Characteristics (USB3750 Only)						
USB Mux On Resistance	R _{ON_USB}			10	ohm	0V < V _{in} < 3.3V
				2.5		0V < V _{in} < 0.4V
USB Mux Off Leakage	I _{OFF_USB}			0.85	uA	0V < V _{in} < 3.3V
On Capacitance	C _{ON_USB}			9	pF	
Off Capacitance	C _{OFF_USB}			6.5	pF	
Off Isolation				-35	dB	R _L = 50 ohm, F = 250MHz
Crosstalk				-40	dB	R _L = 50 ohm, F = 250MHz
Bandwidth (-3dB)	BW			1000	MHz	R _L = 50 ohm, C _L = 0pF
				800		R _L = 50 ohm, C _L = 5pF
				500		R _L = 50 ohm, C _L = 10pF
Control Signal Characteristics						
Input Logic High Threshold	V _{IN_H}	1.4			V	V _{BUS} > UVLO
Input Logic Low Threshold	V _{IN_L}			0.4	V	V _{BUS} > UVLO
Output Drive Strength	V _{OUT_L}			0.4	V	V _{BUS} > UVLO, 4.0mA sink current
Control Signal Leakage Current			1		nA	0 < V _{pin} < V _{OUT}
Timing Characteristics						
Clock Accuracy	T _{CLK}	0.5	1	2	ms	Oscillator Accuracy
Soft POR Reset Time	T _{SOFT_POR}			20	ms	Time to autoclear Soft POR.
UVLO and OVLO Release Timer	T _{VLO_RELEASE}	3		6.5	ms	
UVLO and OVLO Engage Time	T _{VLO_ENGAGE}	0.5		1.7	ms	
Data Contact Detect Timeout	T _{DCD_TOUT}	40		150	ms	See Note 1
Vdat_src and Idat_sink Enable Time	T _{VDPSRC_ON}	40	80	160	ms	
Delay from Vdat_det to OVP switch enable	T _{VDPSRC_HICRNT}	40	80	160	ms	
SE1 Charger Detection wait for SE1 timer	T _{CD_SE1}	40	80	160	ms	
Interrupt Self Clear Timer	T _{INT}	0.5	1	2	ms	

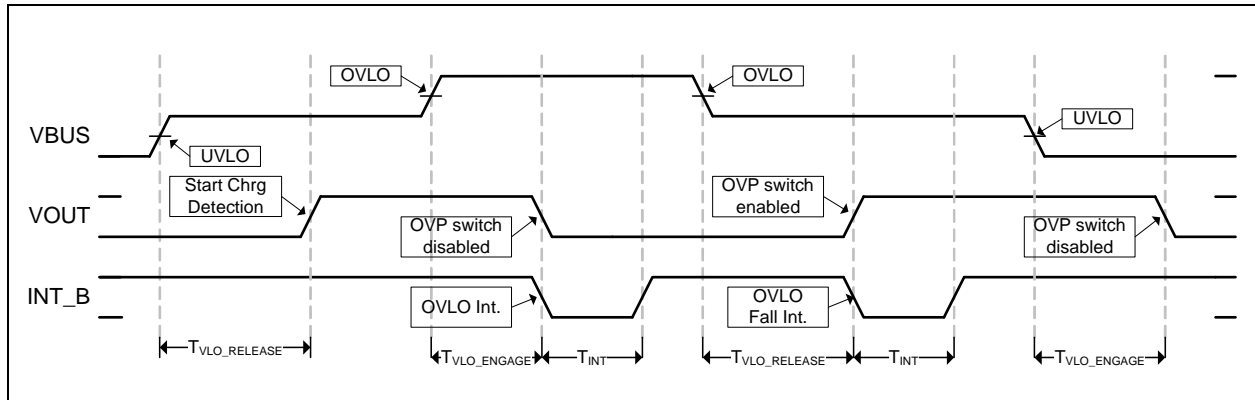
Note 1: The device's Data Contact Detect Timeout (T_{DCD_TOUT}) parameter does not conform to the USB Battery Charging Specification's T_{DCD_TOUT} minimum of 300 ms. However, this will not affect other factors in charger detection.

3.3 Timing Diagrams

3.3.1 UVLO AND OVLO TIMING

The timing diagram below shows the operation of the OVP switch as VBUS crosses the UVLO and OVLO thresholds. The behavior of the INT_B signal is also shown in [Figure 3-1](#) below.

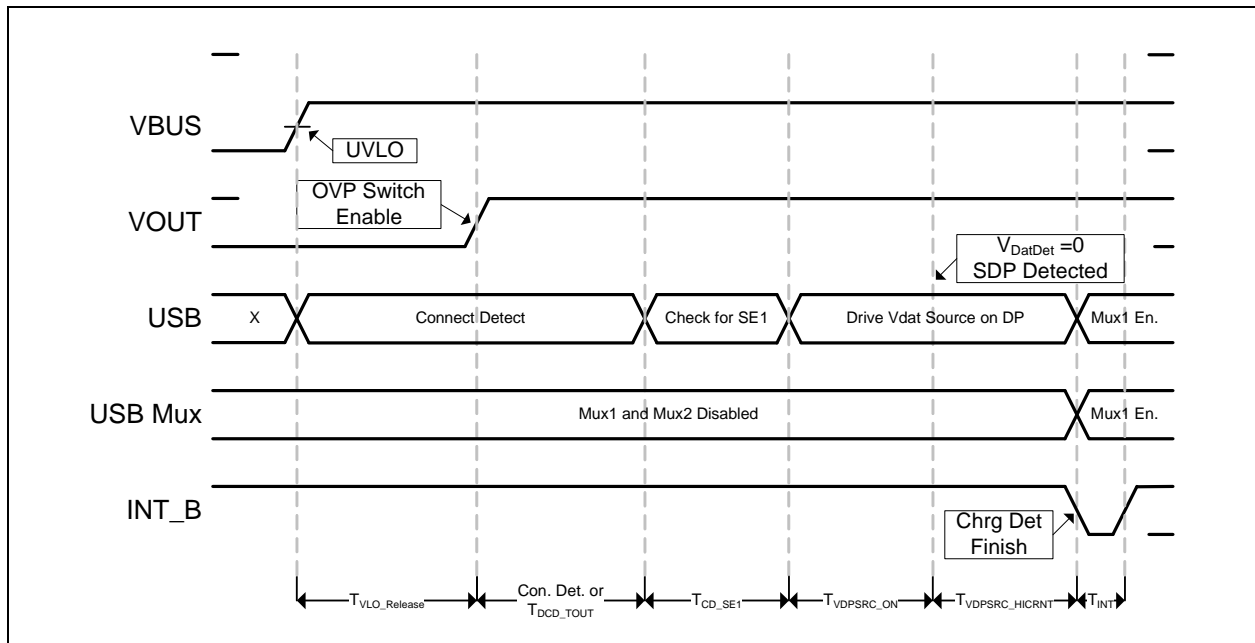
FIGURE 3-1: UVLO AND OVLO TIMING



3.3.2 AUTOMATIC CHARGER DETECTION TIMING

The timing diagrams below illustrate the automatic charger detection timing that is followed when implementing the automatic charger detection flow charts shown in this section.

FIGURE 3-2: CHARGER DETECTION TIMING SDP (USB3750-1)



USB375x

FIGURE 3-3: CHARGER DETECTION TIMING SDP (USB3751-X)

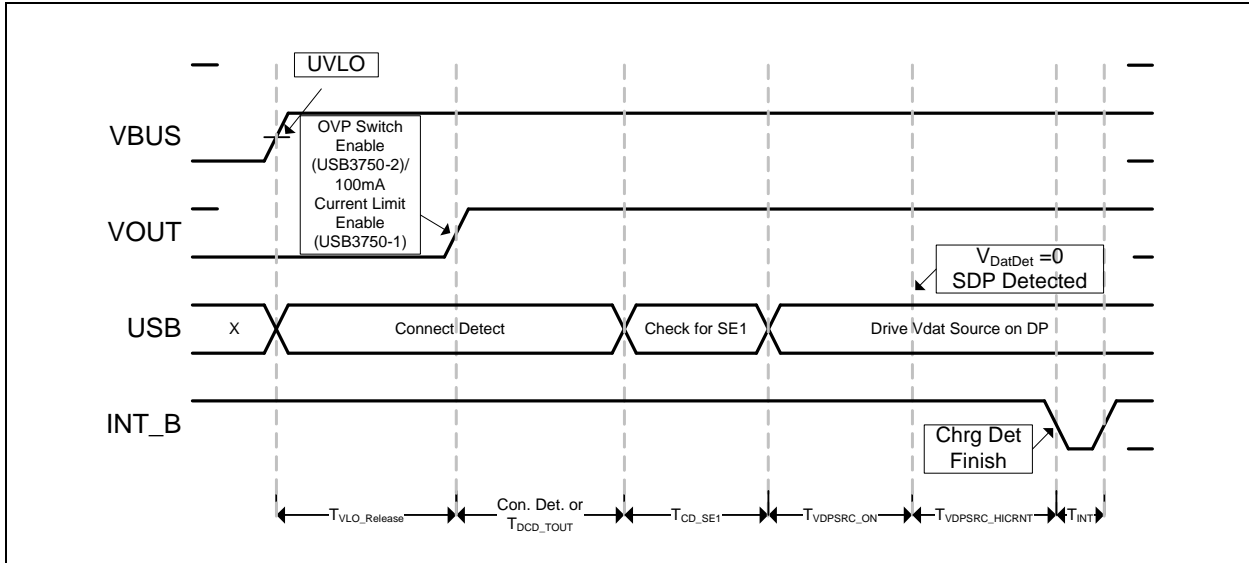


FIGURE 3-4: CHARGER DETECTION TIMING DCP OR CDP (USB3751-X)

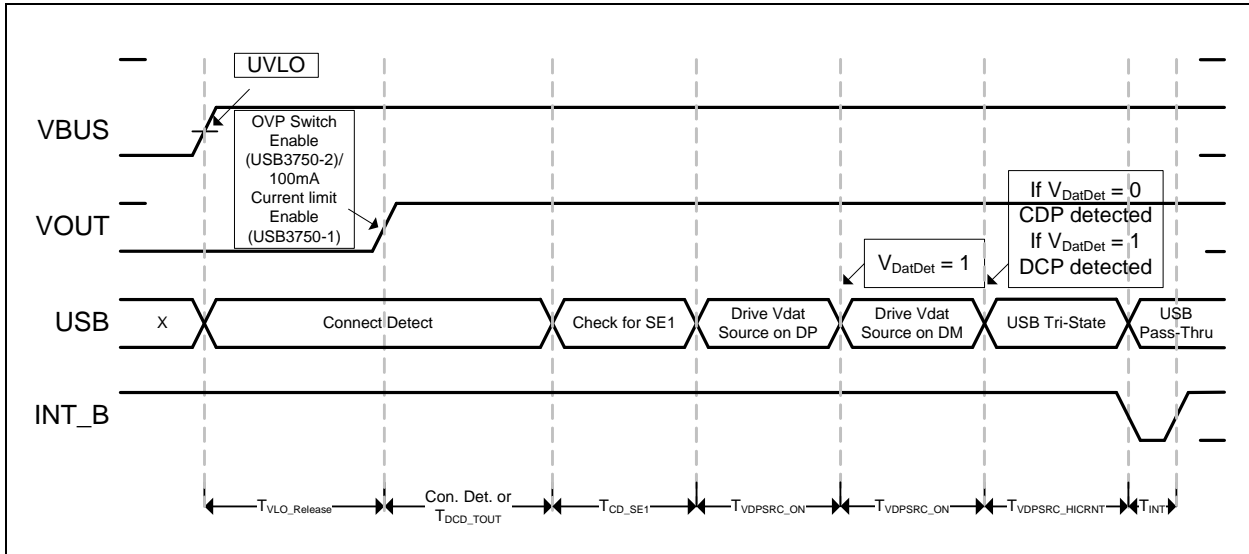


FIGURE 3-5: CHARGER DETECTION TIMING SE1 CHARGER (USB3750-1)

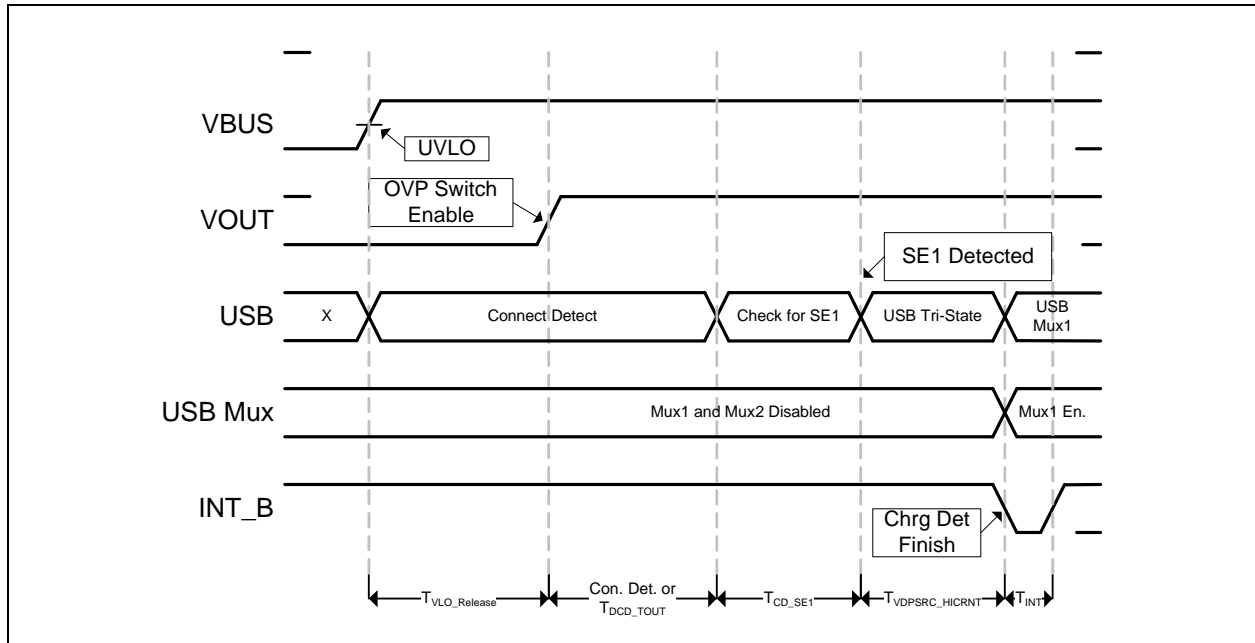
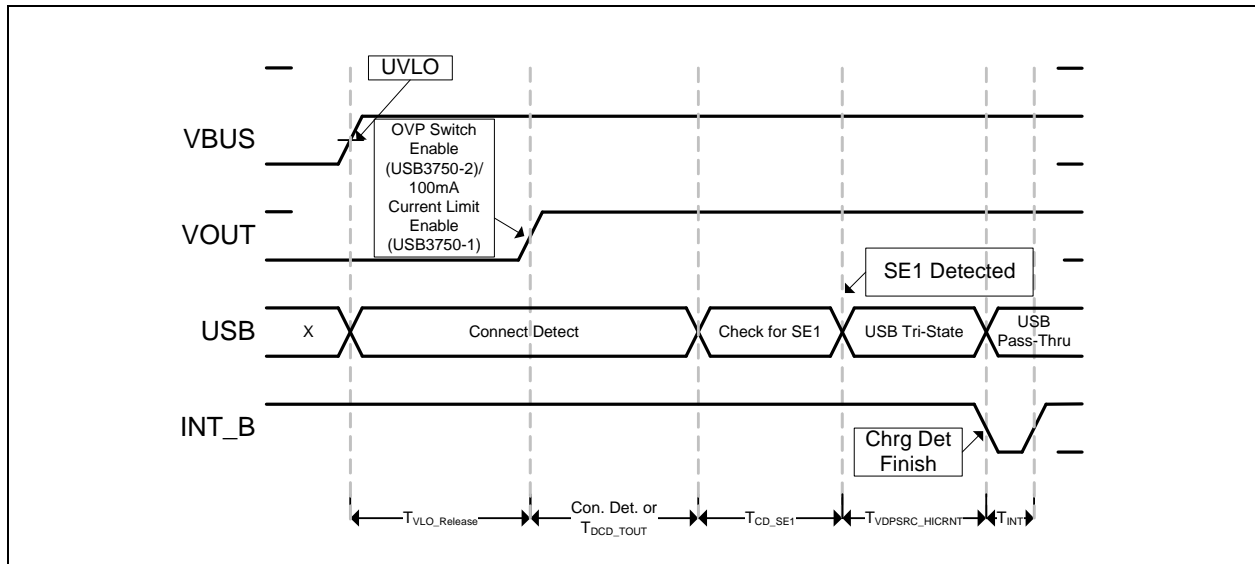


FIGURE 3-6: CHARGER DETECTION TIMING SE1 CHARGER (USB3751-X)



USB375x

4.0 GENERAL OPERATION

The USB375x is an integrated USB protection device, battery charger detection device, and High Speed USB mux (USB3750 only). The USB375x is designed to protect a USB product from electrical overstress on the USB connector. The USB375x includes several features designed to improve the reliability and speed the design of products designed with a USB interface.

The USB3750 includes a high bandwidth HS USB mux. The mux allows high speed signals to pass through and still meet HS USB signaling requirements.

The USB375x will protect the system from ESD stress events on **VBUS**, **DP**, and **DM**. The USB375x provides ESD protection to the IEC-61000 ESD specification.

The low resistance VBUS overvoltage protection switch protects the internal circuitry from VBUS over voltage events. When VBUS is outside the safe operating range VBUS switch will automatically open.

The USB375x also includes the capability to detect various USB battery chargers, including those defined in the USB Battery Charging Specification, Revision 1.2.

To support the device dead battery conditions as defined in the USB Battery Charging Specification, Revision 1.2, the USB375x-1 has the ability to drive V_{DAT_SRC} on **DP** which allows a device with a dead battery to draw 100mA from a USB host. This will allow a device to charge a dead battery without violating the USB specifications. The USB375x-1 also includes a current limit to prevent the unconfigured current from exceeding 100mA. Note, this feature is not available with the USB375x-2.

The USB3750 block diagram is shown [Figure 4-1](#) and the USB3751 block diagram is shown [Figure 4-2](#).

FIGURE 4-1: USB3750 BLOCK DIAGRAM

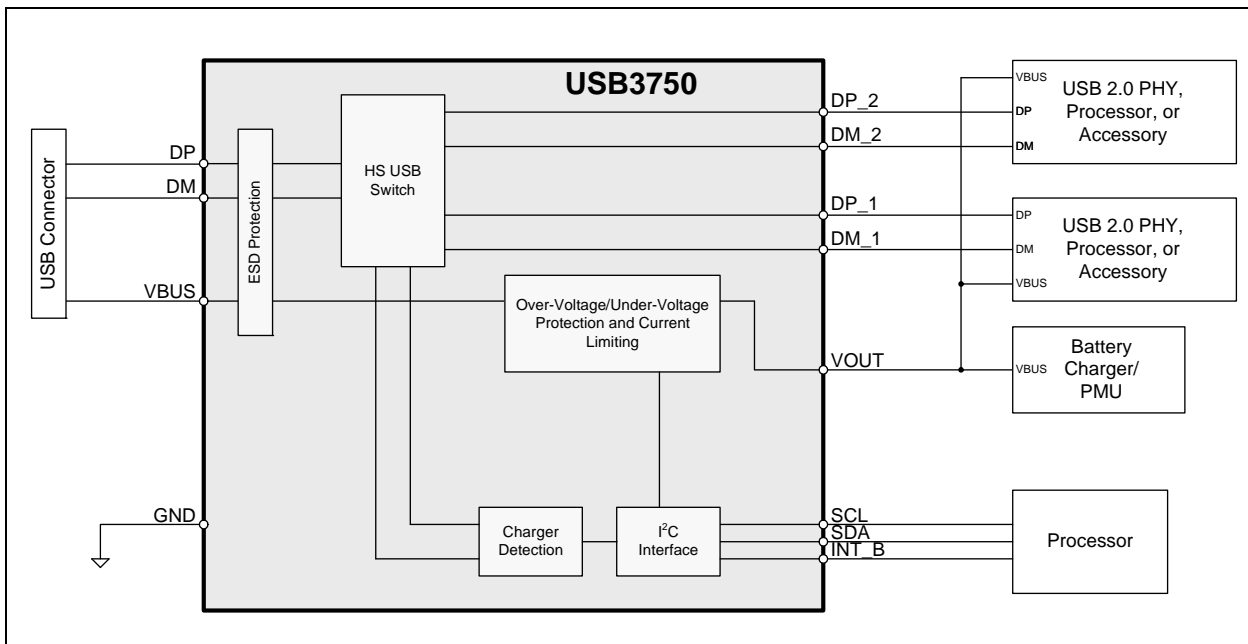
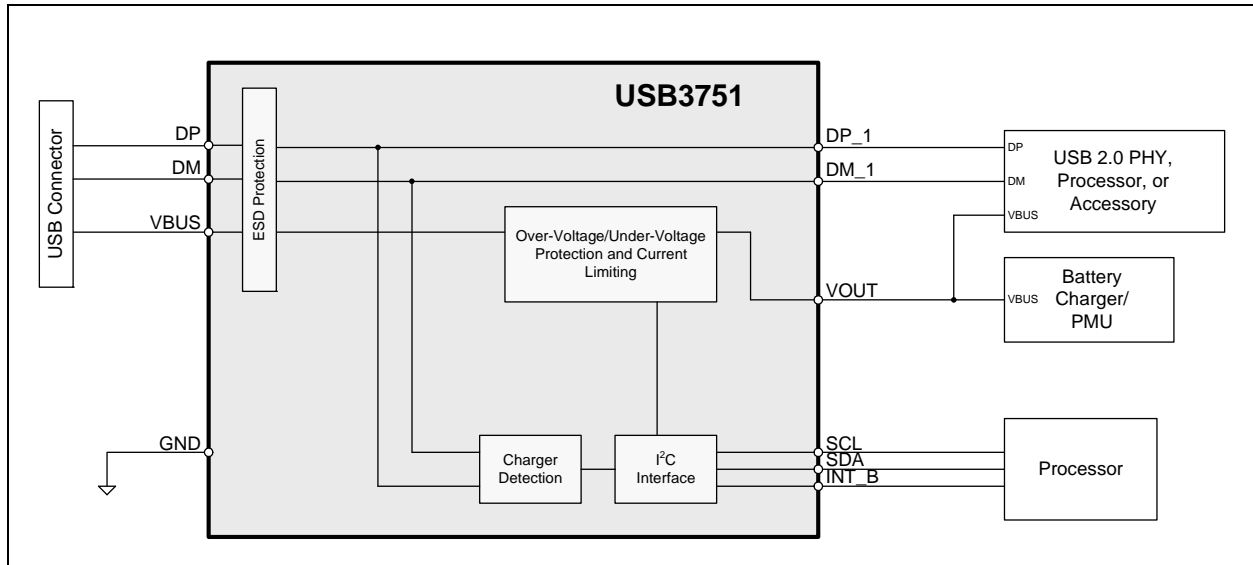


FIGURE 4-2: USB3751 BLOCK DIAGRAM



4.1 VBUS Protection Switch

The USB375x protects the entire system from errant VBUS voltages, whether over-voltage or under-voltage conditions. The device is able to dynamically monitor the VBUS voltage levels and take appropriate action by opening the integrated VBUS Protection Switch when these errant conditions occur. Specifically, when VBUS is below the Under Voltage Lock-Out (UVLO) level or above the Over Voltage Lock-Out (OVLO) level, the VBUS switch will open thereby disconnecting the VBUS pin from VOUT. See [Section 3.3](#) for UVLO and OVLO timing diagrams. Manual control of the VBUS Switch, as well as switch configuration can be handled through the I²C interface. See [Section 4.4.2](#) for I²C register descriptions.

4.1.1 100MA CURRENT LIMIT (USB375X-1 ONLY)

The USB375x-1 provides a 100mA current limit feature which allows a portable system with a dead battery to still draw 100mA from a compliant host. When plugged into a Standard Downstream Port (SDP), the USB375x-1 will enable the 100mA current limit until the system controller enables the OVP switch in the I²C registers of the USB375x-1. When plugged into any other charger, the USB375x-1 will enable the 100mA current limit during charger detection, and will disable the 100mA current limit once charger detection has completed. [Figure 4-6](#) details the charger detection flow of the USB375x-1.

4.2 Charger Detection

The USB375x includes the circuitry required to implement the USB-IF Battery Charging Specification (revision 1.2). The USB375x will automatically perform a charger detection upon start-up. The USB375x includes a state machine to provide the detection of a wide variety of USB charger detection methods listed in [Table 4-1](#). When any of the USB chargers are plugged into the system, the USB375x will detect a charger plug in event, determine what type of charger it is, and write the type of charger information into the I²C register as shown in the following table. In addition, there are two methods to alert the system that a charger has been detected by the USB375x. The first was through the I²C register as mentioned above. The second is through the INT_B pin. When a compliant charger is plugged in and detected, the USB375x will automatically drive the INT_B signal low. [Figure 4-4](#) details the automatic charger detection flow of the USB3750-1, [Figure 4-5](#) details the automatic charger detection flow of the USB3751-1, and [Figure 4-6](#) details the automatic charger detection flow of the USB3751-2.

USB375x

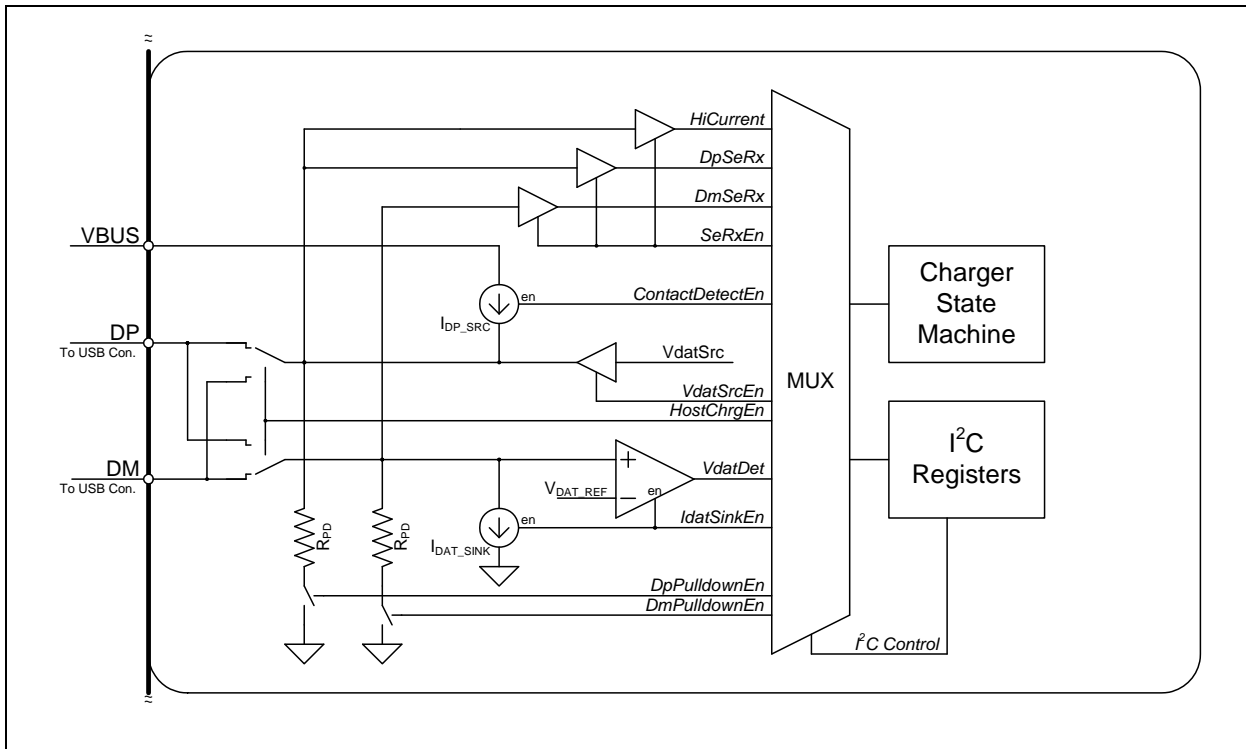
TABLE 4-1: VALID CHARGERS

USB Charger Type	DP/DM Profile	I ² C Reg 0 Bits[7:5] (<i>ChargerType</i>)
DCP (Dedicated Charging Port, defined in Battery Charging 1.2 specification)	Shorted < 200ohm	001
CDP (Charging Downstream Port, defined in Battery Charging 1.2 specification)	V _{DP} reflected to V _{DM}	010 (<i>EnhancedChrgDet</i> = 1)
SDP (Standard Downstream Port) USB Host or downstream hub port	15Kohm pull-down on DP and DM	011
SE1 Charger Low Current Charger	DP = 2.0V DM = 2.0V	100 (<i>SE1ChrgDet</i> =1)
SE1 Charger High Current Charger	DP = 2.0V DM = 2.7V	101 (<i>SE1ChrgDet</i> =1)

4.2.1 CHARGER DETECTION CIRCUITRY

The charger detection circuitry shown [Figure 4-3](#) is used to detect the type charger attached to the USB connector.

FIGURE 4-3: USB CHARGER DETECTION BLOCK DIAGRAM



Note: The *italic names* in the [Figure 4-3](#) correspond to bits in the I²C register set.

The *VdatDet* output is qualified with the *Linestate[1:0]* value. If the *Linestate* is not equal to 00b the *VdatDet* signal will not assert.

For the USB3750, *EnableMux1* or *EnableMux2* should not be set while charger detection operations are performed. During the automatic charger detection *EnableMux1* or *EnableMux2* will be disabled. These will need to be disabled by the I²C master if a custom charger detection is performed through I²C.

4.2.2 AUTOMATIC CHARGER DETECTION

Automatic charger detection will begin after VBUS crosses the UVLO threshold, and will follow the flow charts shown below in [Figure 4-4](#) and [Figure 4-6](#). The flow chart timing can be found in [Section 3.3.2](#). When automatic charger detection has completed, the INT_B signal will go low, and the type of charger that was detected will be reflected in the *ChargerType* bits of I²C REG 0 BITS [7:5].

FIGURE 4-4: CHARGER DETECTION FLOW CHART (USB3750-1)

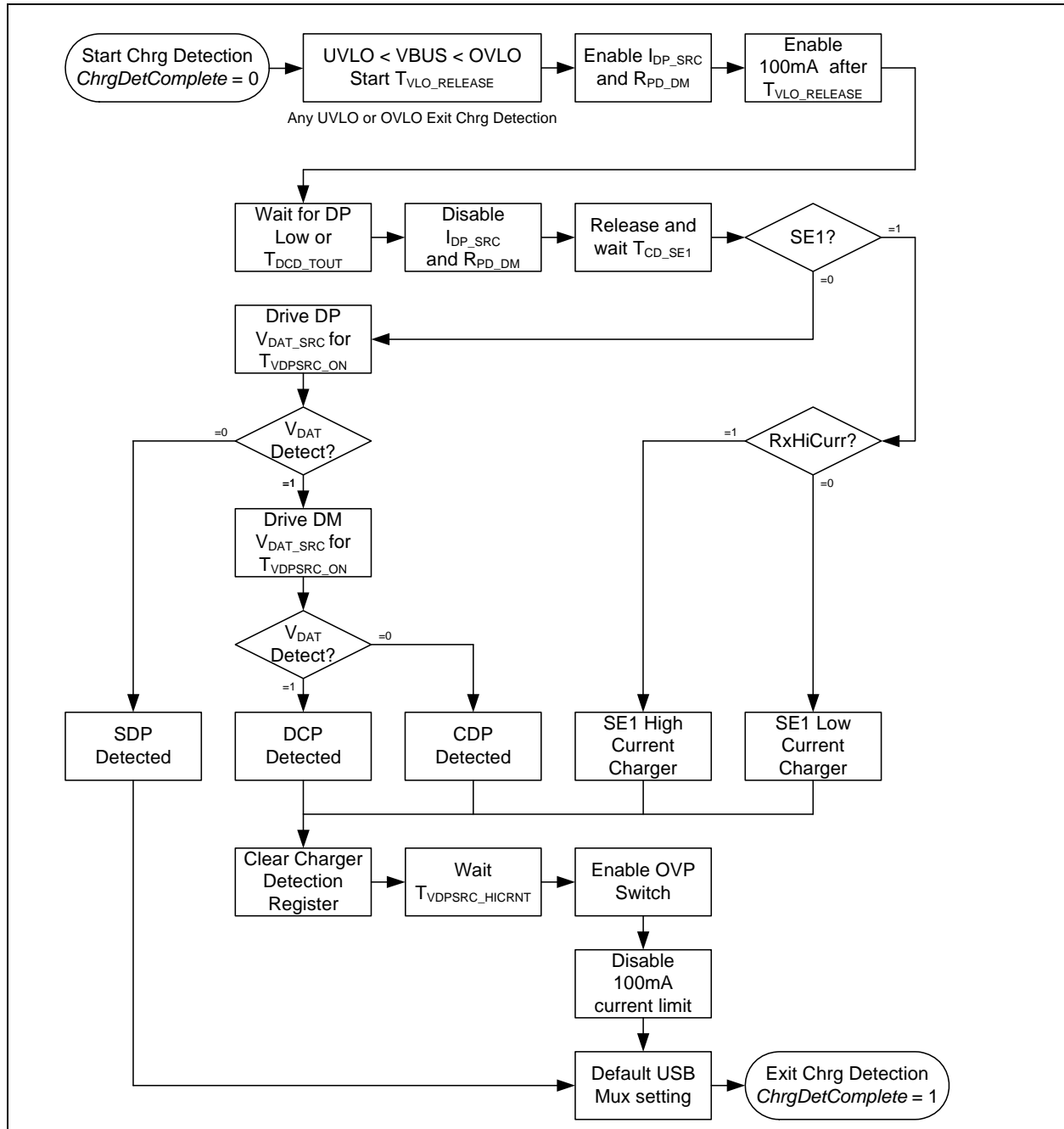


FIGURE 4-5: CHARGER DETECTION FLOW CHART (USB3751-1)

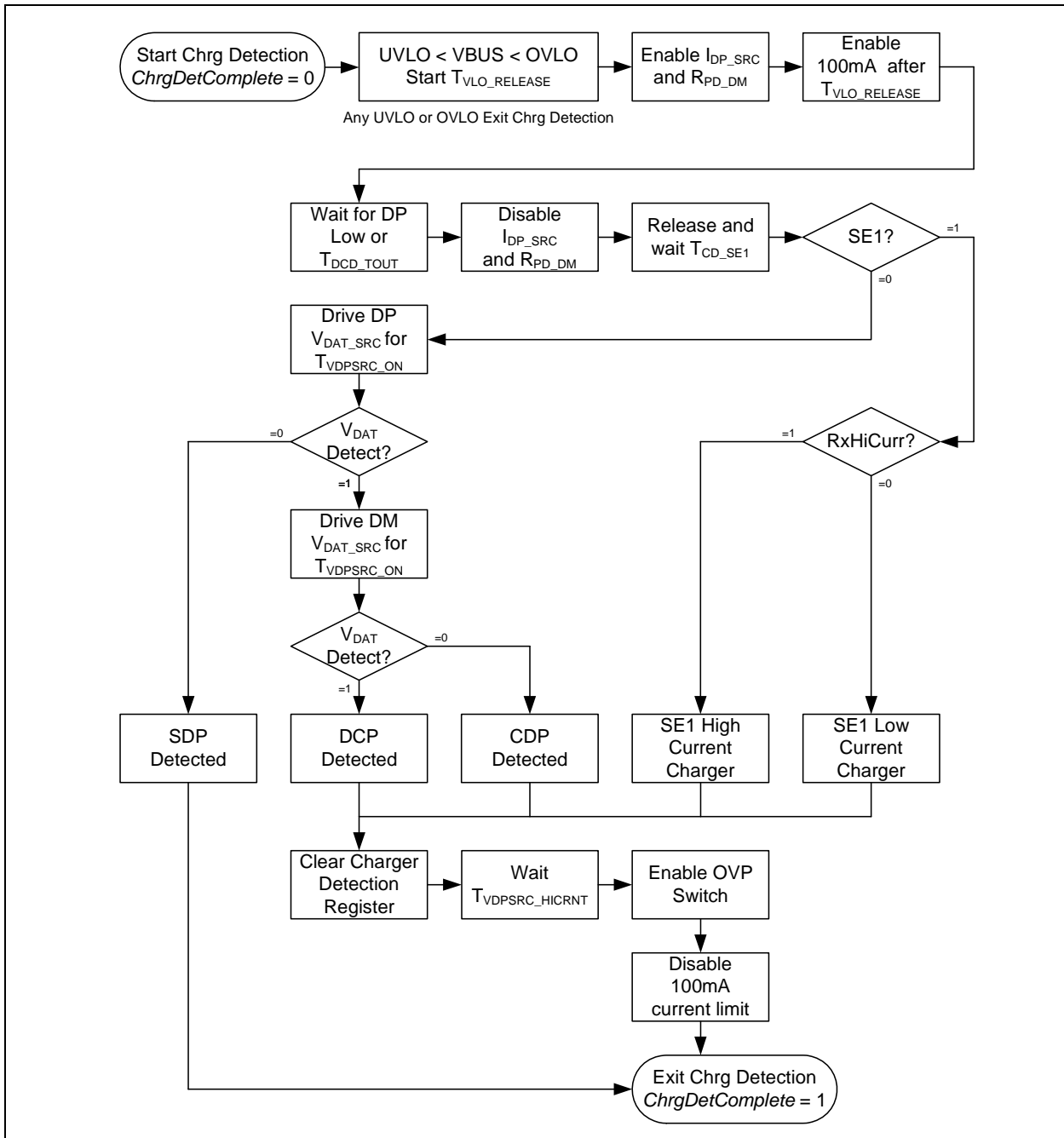
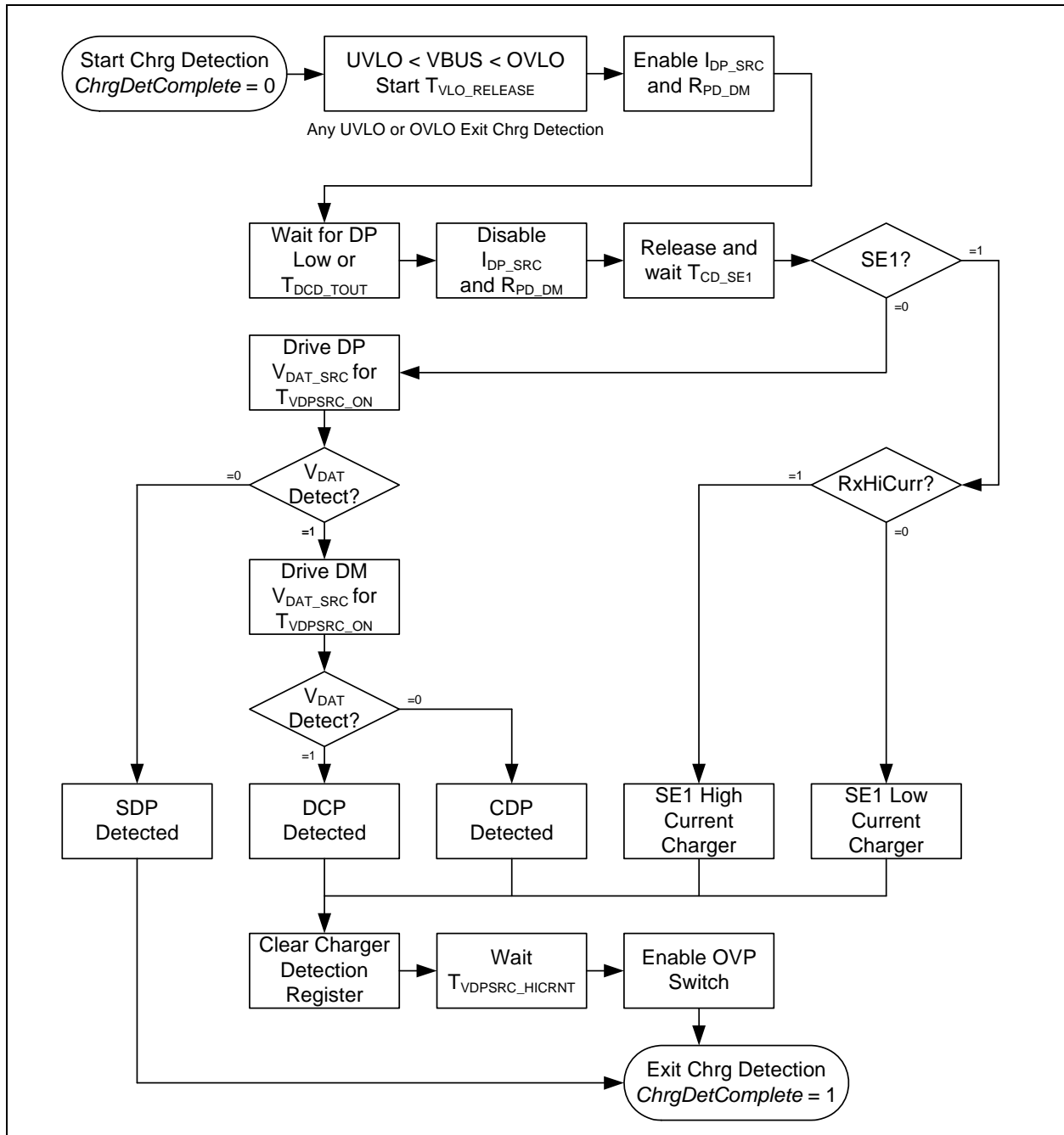


FIGURE 4-6: CHARGER DETECTION FLOW CHART (USB3751-2)



4.3 USB Mux (USB3750 Only)

The USB mux is designed to pass High Speed USB signals to the USB connector, and allows for two USB inputs to be multiplexed into one USB output. Either switch path is enabled through the I²C interface, and the switch paths are disabled in the event of UVLO or OVLO.

The USB Mux is designed to pass USB signals from 0 to 3.3V. It is not designed to pass signals that go above 3.3V or below ground.

USB375x

During power-up and charger detection the USB Mux switches will be disabled regardless of the *EnableMux1* and *EnableMux2* settings.

Once power-up and charger detection are complete *EnableMux1* is enabled by default.

4.4 USB375x Registers

All registers are reset when VBUS goes below UVLO. All registers are accessed through the I²C interface defined below.

4.4.1 I²C INTERFACE

The SDA and SCL pins comprise the I²C interface of the USB375x. The I²C master controls all traffic to the USB375x. If the USB375x has a change in status it can assert the **INT_B** by pulling this line to ground. The USB375x **INT_B** line will stay low and then auto-clear after 1mS or until cleared by reading the Status Register. This prevents **INT_B** from masking other interrupts if the line is shared with other I²C devices.

SCL, **SDA**, and **INT_B** will be tri-stated until **VBUS** is above the UVLO. **VBUS** must be present to operate the I²C interface.

SCL is an input only pad. **SDA** is bi-directional and can be configured as an input or an open drain output during I²C operations.

SDA, and **INT_B** are open collector when configured as an output. This requires an external pull-up resistor on **SDA** and **INT_B**.

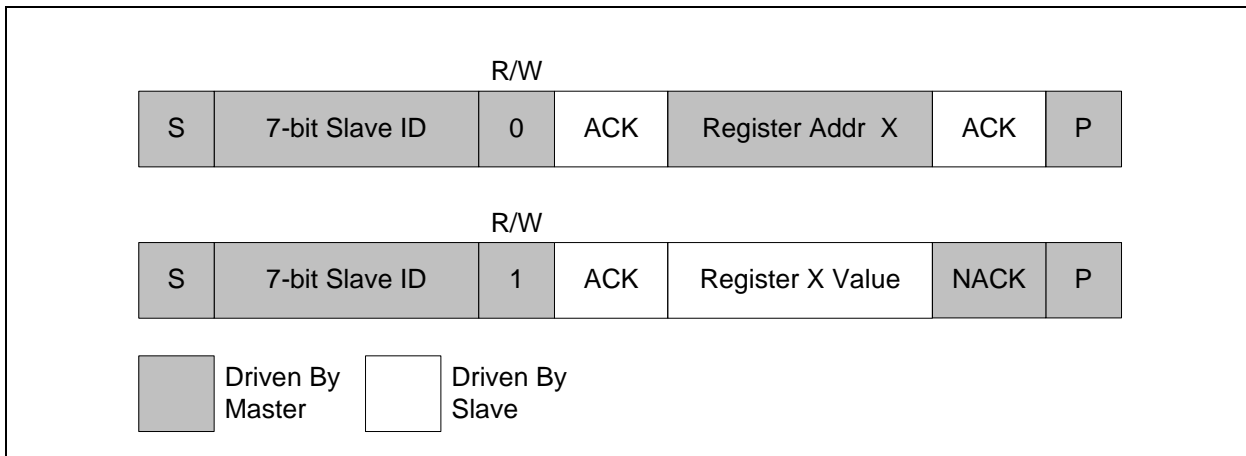
The USB375x-1 requires I²C communications in order for the default USB path to be enabled. By default, the 100mA current limit is enabled. Only devices that draw <100mA will be enabled through the path as part of dead battery provision support. In order to bypass this limit, bits 0 (EnableOVP Switch) and 2 (OverrideVBUS) in Register 1 (Configuration Register) need to be set via I²C.

4.4.2 I²C REGISTER ACCESS

4.4.2.1 I²C Read Command

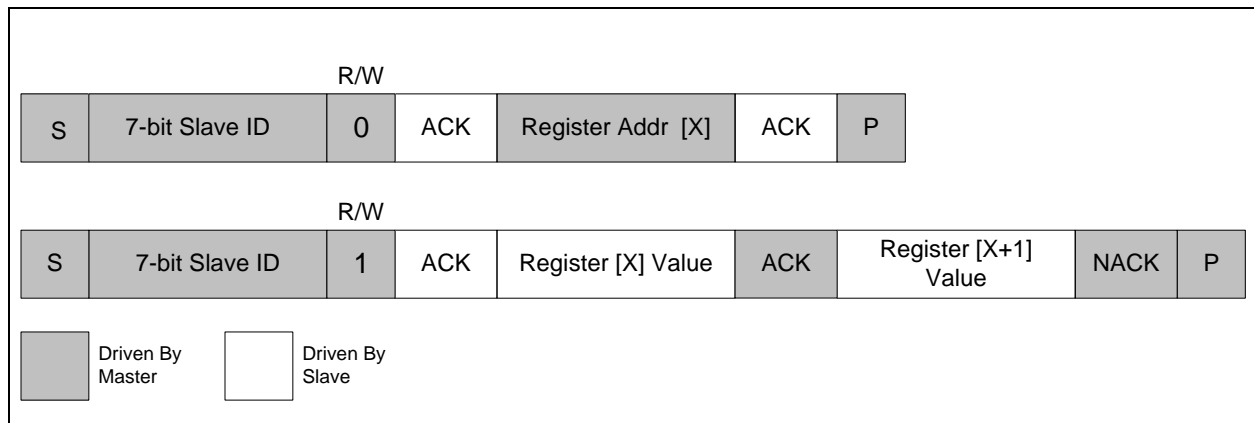
The slave supports two types of reads, single reads, and continuous reads. In a single read the master asserts a NACK after the first read data. The format for a single read is shown in Figure 4-7. The read command has three phases. These three phases are device address phase, register address phase, and read data phase. Each phase is terminated by an ACK or NACK. The device address phase consists of the 7-bit slave address followed by a '1' to indicate a read. If the address matches the slave's address then the slave drives an ACK. The register address phase consists of an 8-bit register address. The slave will always ACK the register address. In the data phase the slave will return the register read data. If the register address was a valid register then the slave will return the data, otherwise it will return 0xFF.

FIGURE 4-7: I²C SINGLE READ



The continuous read command is similar to the single read command, however after the read data the master will drive an ACK and then provide another register address. The master will then wait for the read data as shown in Figure 4-8. The continuous read is terminated by the master by driving a NACK after the last read data and then asserting a STOP condition.

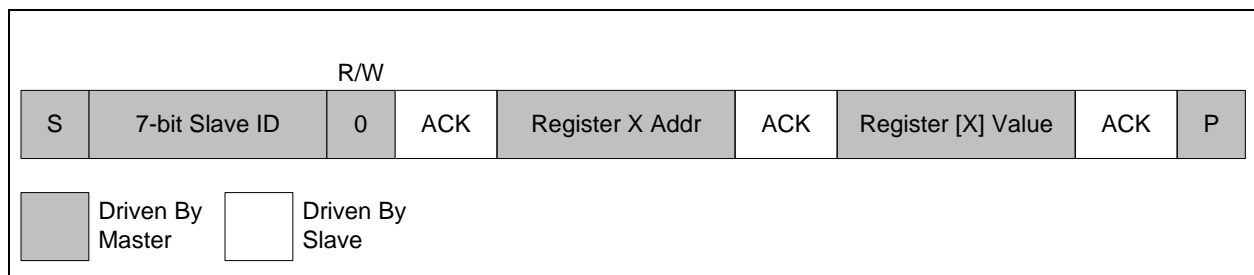
FIGURE 4-8: I²C CONTINUOUS READ



4.4.2.2 I²C Write Command

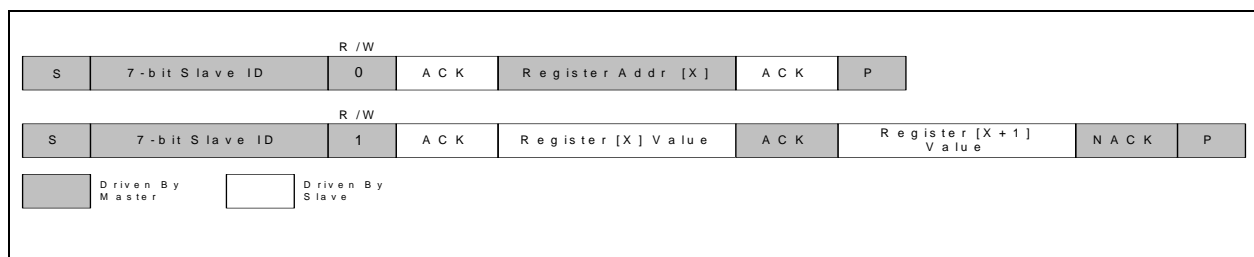
Similar to the read commands, the slave supports two types of write commands. The single write command is shown in [Figure 4-9](#). The slave will always ACK the write data. Only the lower 4 bits of the register address are decoded. Writes to undefined and read-only registers will be ignored.

FIGURE 4-9: I²C SINGLE WRITE



The continuous write is shown in [Figure 4-10](#). In this case after the ACK of the write data, the master will drive the next register address. The continuous write will be terminated when the master asserts a STOP.

FIGURE 4-10: I²C CONTINUOUS WRITE



4.4.3 I²C ADDRESS

The default I²C address is 1101000. The two LSB are set by the OTP registers.

TABLE 4-2: I²C ADDRESS

MSB							LSB
1	1	0	1	0	0	0	R/W

USB375x

4.4.4 REG 0: STATUS REGISTER

This register indicates the current status of the USB375x.

Field Name	Bit	Access	Default	Description
OVLO Status	0	rd	0	Over Voltage Lockout Comparator Status. Set to 0b when VBUS goes above the OVLO threshold.
OVLO Latch	1	rd	0	Set to 1b when an unmasked OVLO interrupt occurs on OVLO Status. Auto cleared when this register is read.
OVP SwitchStatus	2	rd	0	Indicates the status of the OVP switch. A 0b indicates the OVP switch is closed. A 1b indicates that the OVP switch is open.
CurrentLimitStatus	3	rd	0	Indicates the status of the 100mA Current Limit. A 1b indicates that the current limit is enabled.
ChrgDetComplete	4	rd	0	A 1b Indicates Charger Detection has completed.
ChargerType	7:5	rd	000	This register indicates the result of the automatic charger detection. 000 = ChargerDetection is not complete 001 = DCP 010 = CDP 011 = SDP 100 = SE1 Low Current Charger 101 = SE1 High Current Charger If <i>EnhancedChrgDet</i> = 0 the USB375x is unable to distinguish between a DCP and a CDP and will return DCP as the <i>ChargerType</i> .

4.4.5 REG 1: CONFIGURATION REGISTER

Field Name	Bit	Access	Default	Description
EnableOVP Switch	0	r/w	0	The OVP switch will be enabled when this bit is set to 1b.
EnableCurrentLimit	1	r/w	0	Controls the 100mA current limit block. The 100mA current limit will be enabled when this bit is set to 1b and the <i>OverrideCurrentLimit</i> bit is also set to 1b.
OverrideVBUS	2	r/w	0	When this bit is set to 1b the OVP switch is controlled by the <i>EnableOVP Switch</i> bit.
OverrideCurrentLimit	3	r/w	0	When this bit is set to 1b the current limit is controlled by the <i>EnableCurrentLimit</i> bit.
Reserved	4	r/w	0	Reserved
EnableMux1	5	r/w	1	When this bit is set to 1b the Mux 1 path is enabled (USB3750 Only)
EnableMux2	6	r/w	0	When this bit is set to 1b the Mux 2 path is enabled (USB3750 Only)
SoftPOR	7	r/w	0	Hardware reset. When this bit is set to 1b, the USB375x will reset and restart the POR sequence. This bit will autoclear in T_{SOFT_POR} . The USB375x registers should not be accessed until the T_{SOFT_POR} time has expired.

4.4.6 REG 2: BATTERY CHARGER REGISTER

These bits allow I²C control of the battery charger circuits. This will allow for custom defined charger detection algorithm to be implemented. By default the I²C control bit is off and this register is under control of the charger detection state machine. Once the charger detection state machine is complete the I²C master can set the I²C Control register to control the charger detection circuits.

Field Name	Bit	Access	Default	Description
SeRxEn	0	r/w	0	Single Ended Receiver Enable. When this bit is set to 1b the single ended receivers will be enabled
ContactDetectEn	1	r/w	0	Contact Detect Current Source Enable. When this bit is set to 1b the I _{DP_SRC} current source shown in Figure 4-3 will be enabled.
VdatSrcEn	2	r/w	0	Vdat voltage source enable. When this bit is set to 1b the V _{datSrc} voltage source shown in Figure 4-3 will be enabled.
HostChrgEn	3	r/w	0	When this bit is set to 1b, the charger detection connections of DP and DM are swapped. The USB signal path is not reversed. This is required when differentiating between a Charging Downstream Port (CDP) and a Dedicated Charging Port (DCP).
IdatSinkEn	4	r/w	0	Idat current sink enable. When this bit is set to 1b the I _{datSinkEn} current source shown in Figure 4-3 will be enabled.
DpPulldownEn	5	r/w	0	DP 15K pull down resistor enable. When this bit is set to 1b the R _{PD} 15K pull down resistor on DP shown in Figure 4-3 will be enabled.
DmPulldownEn	6	r/w	0	DM 15K pull down resistor enable. When this bit is set to 1b the R _{PD} 15K pull down resistor on DM shown in Figure 4-3 will be enabled.
I ² C Control	7	r/w	0	When this bit is set to 0b the bits [6:0] are disconnected from the Battery Charger circuits. When this bit is set to 1b, bits [6:0] will control the charger detection circuits.

4.4.7 REG 3: BATTERY CHARGER STATUS REGISTER

Field Name	Bit	Access	Default	Description
VdatDet	0	rd	0	Indicates Vdat Det comparator output. A 1b indicates that the V _{datDet} comparator shown in Figure 4-3 has been tripped.
DpSeRx	1	rd	0	DP Single Ended Receiver Status. A 1b indicates that the DP signal is above the V _{SE_RX} threshold.
DmSeRx	2	rd	0	DM Single Ended Receiver Status. A 1b indicates that the DM signal is above the V _{SE_RX} threshold.
RxHiCurrent	3	rd	0	DM high current SE1 charger output. A 1b indicates that the DM signal is above the V _{SE_RXH} threshold.
Reserved	7:4	r	0000	Read Only.

USB375x

5.0 APPLICATION NOTES

5.1 Application Diagram

TABLE 5-1: COMPONENT VALUES IN APPLICATION DIAGRAMS

Reference Designator	Value	Description	Notes
R _{PU}	10 kΩ	Pull-up required for I ² C and INT_B operation.	Pull up to I ² C and INT_B power domain on SOC.
C _{VBUS}	1μF to 10μF	Capacitor to ground required by the USB Specification. Microchip recommends <1Ω ESR.	Place near the USB connector.
C _{SYS}	System dependent	System bulk capacitance	Optional. Not required for USB375x operation.

FIGURE 5-1: USB3750 DEVICE APPLICATION DIAGRAM

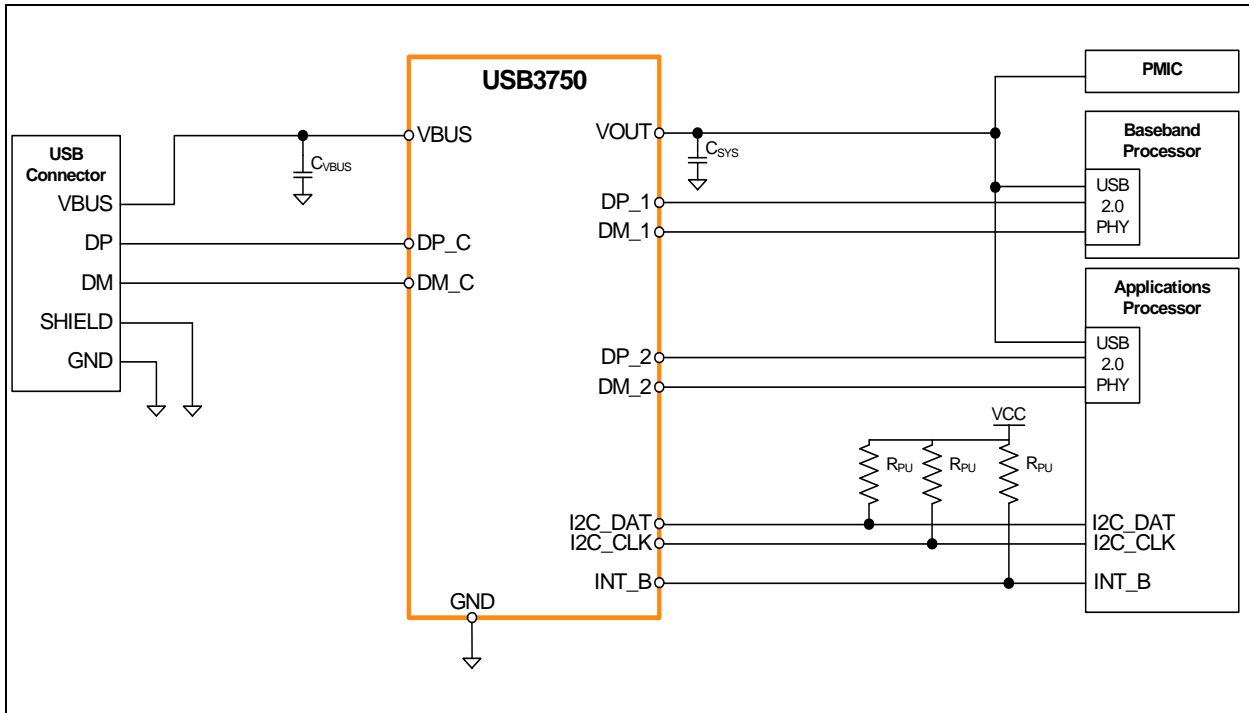
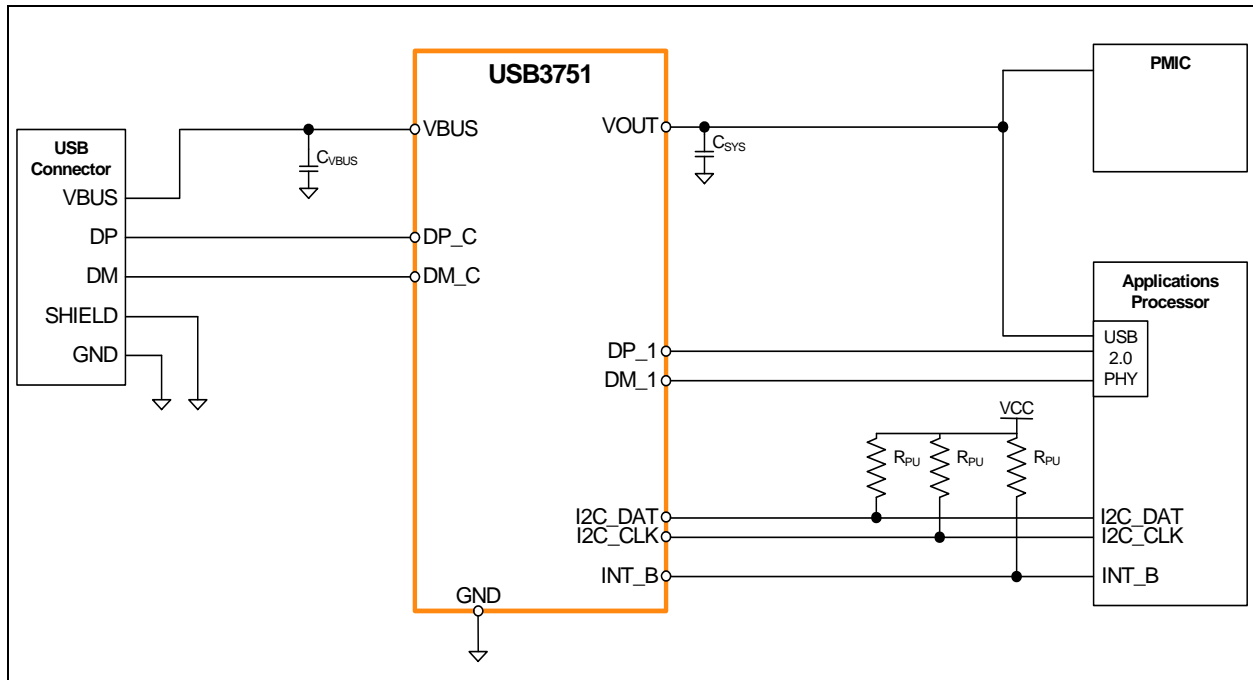


FIGURE 5-2: USB3751 DEVICE APPLICATION DIAGRAM



5.2 ESD Performance

The USB375x is protected from ESD strikes. By eliminating the requirement for external ESD protection devices, board space is conserved, and the board manufacturer is enabled to reduce cost. The advanced ESD structures integrated into the USB375x protect the device whether or not it is powered up.

5.2.1 HUMAN BODY MODEL (HBM) PERFORMANCE

HBM testing verifies the ability to withstand the ESD strikes like those that occur during handling and manufacturing, and is done without power applied to the IC. To pass the test, the device must have no change in operation or performance due to the event. The USB375x HBM performance is detailed in .

5.2.2 EN/IEC 61000-4-2 PERFORMANCE

The EN/IEC 61000-4-2 ESD specification is an international standard that addresses system-level immunity to ESD strikes while the end equipment is operational. In contrast, the HBM ESD tests are performed at the device level with the device powered down.

Microchip contracts with Independent laboratories to test the USB375x to EN/IEC 61000-4-2 in a working system. Reports are available upon request. Please contact your Microchip representative, and request information on 3rd party ESD test results. The reports show that systems designed with the USB375x can safely provide the ESD performance shown in without additional board level protection.

In addition to defining the ESD tests, EN/IEC 61000-4-2 also categorizes the impact to equipment operation when the strike occurs (ESD Result Classification). The USB375x maintains an ESD Result Classification 1 or 2 when subjected to an EN/IEC 61000-4-2 (level 4) ESD strike.

Both air discharge and contact discharge test techniques for applying stress conditions are defined by the EN/IEC 61000-4-2 ESD document.

USB375x

5.2.2.1 Air Discharge

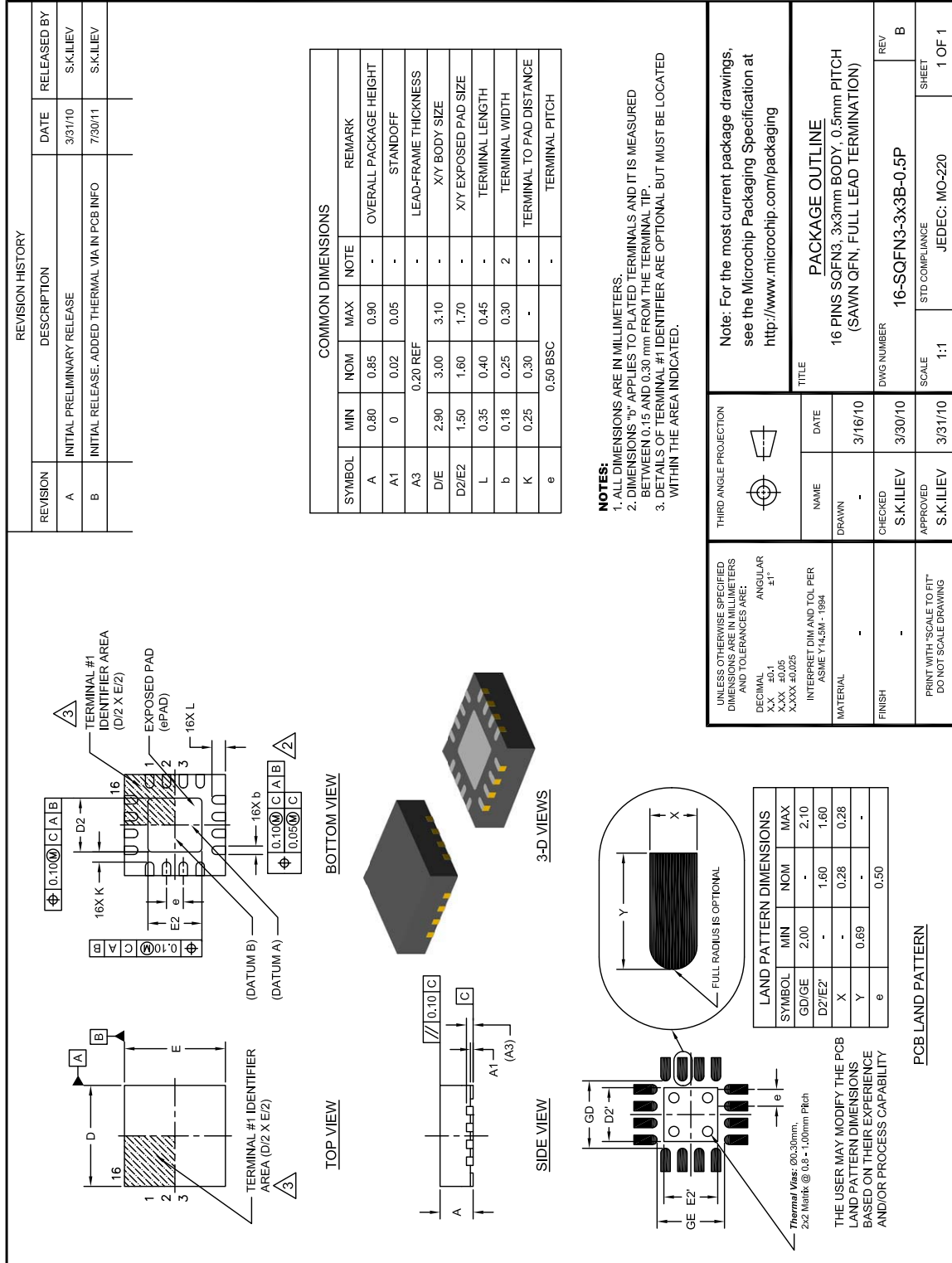
To perform this test, a charged electrode is moved close to the system being tested until a spark is generated. This test is difficult to reproduce because the discharge is influenced by such factors as humidity, the speed of approach of the electrode, and construction of the test equipment.

5.2.2.2 Contact Discharge

The uncharged electrode first contacts the USB connector to prepare this test, and then the probe tip is energized. This yields more repeatable results, and is the preferred test method. The independent test laboratories contracted by Microchip provide test results for both types of discharge methods.

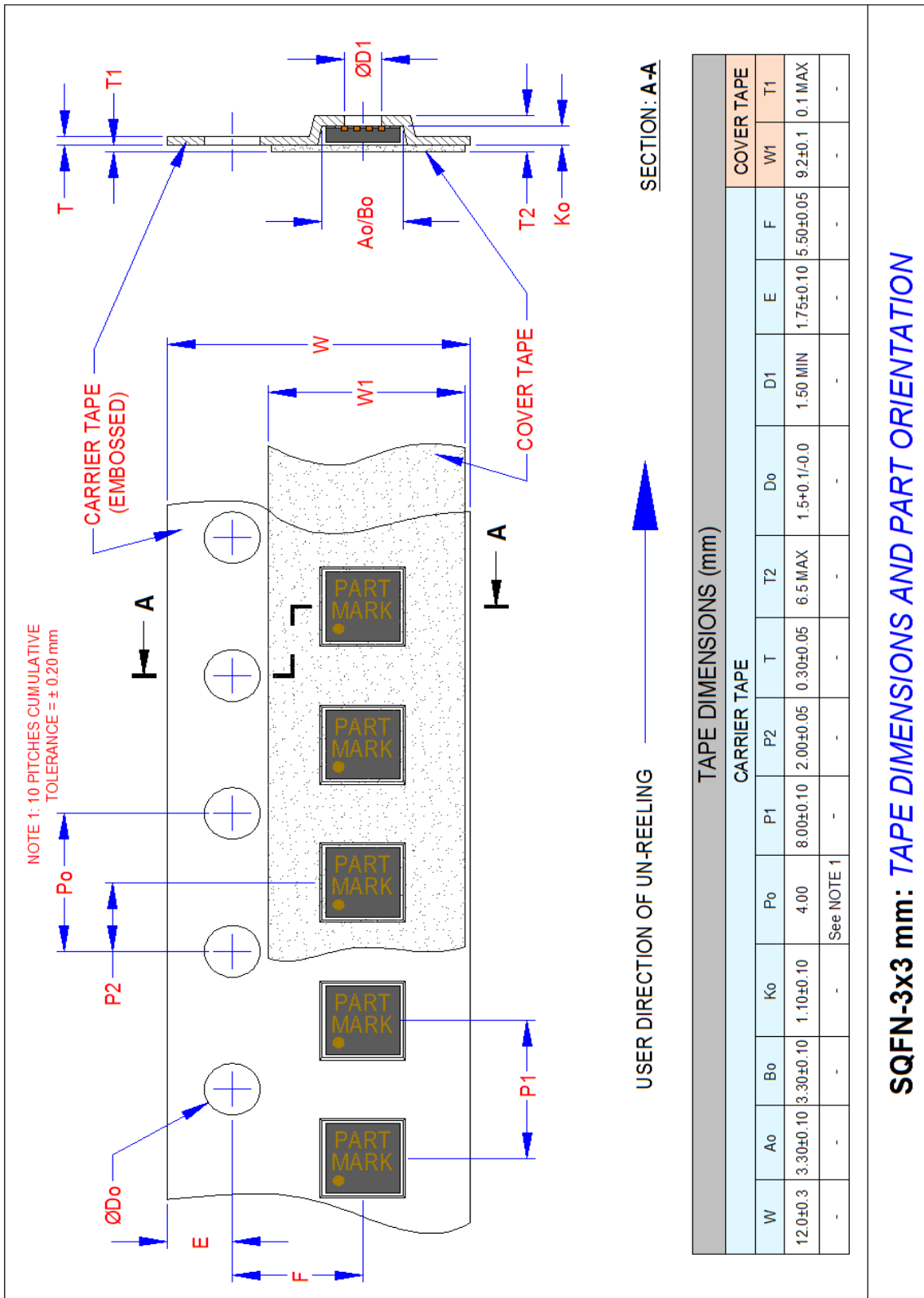
6.0 PACKAGE INFORMATION

FIGURE 6-1: 16-PIN QFN PACKAGE OUTLINE, 3 X 3 MM BODY, 0.5 MM PITCH



USB375x

FIGURE 6-2: TAPE AND REEL INFORMATION



APPENDIX A: DATA SHEET REVISION HISTORY

TABLE A-1: REVISION HISTORY

Revision	Section/Figure/Entry	Correction
DS00001824A (09-22-14)	Replaces previous SMSC version Rev. 1.1 (02-12-13); document is converted to Microchip template	
	Product Identification System on page 29	Reel size is changed from 4000 to 5000; temperature range designator and explanation removed
	Package Information on page 25	The following diagrams removed: Reel Dimensions, Tape Sections and Package Marking.
	Section 2.2, "Pin Definitions"	Description for pins 12 and 13 modified.
	All	Updated Battery Charging references to revision 1.2 of the specification.
	Section 1.0, "Introduction," on page 4	<ul style="list-style-type: none"> Added note: "The device's Data Contact Detect Timeout parameter does not conform to the USB Battery Charging Specification. However, this will not affect other factors in charger detection. Refer to Table 3-2, "Electrical Specifications," on page 7 for additional information." Added cross-references to new note on all mentions of the Battery Charging Specification in this section.
	Table 3-2, "Electrical Specifications," on page 7	<ul style="list-style-type: none"> Updated VBUS Over Voltage Lockout values to be specific for the USB3750 and USB3751 Updated Data Contact Detect Timeout values and added note: The device's Data Contact Detect Timeout parameter does not conform to the USB Battery Charging Specification. However, this will not affect other factors in charger detection."
Rev. 1.1 (02-12-13)	All	Misc. typos, etc.
	Section 4.4.1, "I2C Interface," on page 18	Added additional paragraph: "The USB375x-1 requires I ² C communications in order for the default USB path to be enabled. By default, the 100mA current limit is enabled. Only devices that draw <100mA will be enabled through the path as part of dead battery provision support. In order to bypass this limit, bits 0 (EnableOVP Switch) and 2 (OverrideVBUS) in Register 1 (Configuration Register) need to be set via I ² C."
Rev. 1.0 (09-02-11)	Initial Release	

USB375x

THE MICROCHIP WEB SITE

Microchip provides online support via our WWW site at www.microchip.com. This web site is used as a means to make files and information easily available to customers. Accessible by using your favorite Internet browser, the web site contains the following information:

- **Product Support** – Data sheets and errata, application notes and sample programs, design resources, user's guides and hardware support documents, latest software releases and archived software
- **General Technical Support** – Frequently Asked Questions (FAQ), technical support requests, online discussion groups, Microchip consultant program member listing
- **Business of Microchip** – Product selector and ordering guides, latest Microchip press releases, listing of seminars and events, listings of Microchip sales offices, distributors and factory representatives

CUSTOMER CHANGE NOTIFICATION SERVICE

Microchip's customer notification service helps keep customers current on Microchip products. Subscribers will receive e-mail notification whenever there are changes, updates, revisions or errata related to a specified product family or development tool of interest.

To register, access the Microchip web site at www.microchip.com. Under "Support", click on "Customer Change Notification" and follow the registration instructions.

CUSTOMER SUPPORT

Users of Microchip products can receive assistance through several channels:

- Distributor or Representative
- Local Sales Office
- Field Application Engineer (FAE)
- Technical Support

Customers should contact their distributor, representative or field application engineer (FAE) for support. Local sales offices are also available to help customers. A listing of sales offices and locations is included in the back of this document.

Technical support is available through the web site at: <http://www.microchip.com/support>

PRODUCT IDENTIFICATION SYSTEM

To order or obtain information, e.g., on pricing or delivery, refer to the factory or the listed sales office.

<u>PART NO.</u>	-	<u>XXX</u>	-	<u>[X]</u> ⁽¹⁾	Examples:
Device		Package		Tape and Reel Option	
Device:		USB3750, USB3751			<p>a) USB3750A-1-A4-TR ⁽²⁾ 16-pin QFN, 3.0mm x 3.0mm RoHS Compliant Package, Tape & Reel</p> <p>b) USB3751A-1-A4-TR ⁽³⁾ 16-pin QFN, 3.0mm x 3.0mm RoHS Compliant Package, Tape & Reel</p> <p>c) USB3751A-2-A4-TR ⁽⁴⁾ 16-pin QFN, 3.0mm x 3.0mm RoHS Compliant Package, Tape & Reel</p> <p>Note 1: Tape and Reel identifier only appears in the catalog part number description. This identifier is used for ordering purposes and is not printed on the device package. Check with your Microchip Sales Office for package availability with the Tape and Reel option. Reel size is 5,000.</p> <p>2: Provides HS mux and support for 100mA dead battery current limiting.</p> <p>3: Provides support for 100mA dead battery limiting.</p> <p>4: Does not provide support for 100mA dead battery current limiting.</p>
Package:		A4 = 16-pin QFN			
Tape and Reel Option:		Blank = Standard packaging (tray) TR = Tape and Reel ⁽¹⁾			

USB375x

Note the following details of the code protection feature on Microchip devices:

- Microchip products meet the specification contained in their particular Microchip Data Sheet.
- Microchip believes that its family of products is one of the most secure families of its kind on the market today, when used in the intended manner and under normal conditions.
- There are dishonest and possibly illegal methods used to breach the code protection feature. All of these methods, to our knowledge, require using the Microchip products in a manner outside the operating specifications contained in Microchip's Data Sheets. Most likely, the person doing so is engaged in theft of intellectual property.
- Microchip is willing to work with the customer who is concerned about the integrity of their code.
- Neither Microchip nor any other semiconductor manufacturer can guarantee the security of their code. Code protection does not mean that we are guaranteeing the product as “unbreakable.”

Code protection is constantly evolving. We at Microchip are committed to continuously improving the code protection features of our products. Attempts to break Microchip's code protection feature may be a violation of the Digital Millennium Copyright Act. If such acts allow unauthorized access to your software or other copyrighted work, you may have a right to sue for relief under that Act.

Information contained in this publication regarding device applications and the like is provided only for your convenience and may be superseded by updates. It is your responsibility to ensure that your application meets with your specifications. MICROCHIP MAKES NO REPRESENTATIONS OR WARRANTIES OF ANY KIND WHETHER EXPRESS OR IMPLIED, WRITTEN OR ORAL, STATUTORY OR OTHERWISE, RELATED TO THE INFORMATION, INCLUDING BUT NOT LIMITED TO ITS CONDITION, QUALITY, PERFORMANCE, MERCHANTABILITY OR FITNESS FOR PURPOSE. Microchip disclaims all liability arising from this information and its use. Use of Microchip devices in life support and/or safety applications is entirely at the buyer's risk, and the buyer agrees to defend, indemnify and hold harmless Microchip from any and all damages, claims, suits, or expenses resulting from such use. No licenses are conveyed, implicitly or otherwise, under any Microchip intellectual property rights.

Trademarks

The Microchip name and logo, the Microchip logo, dsPIC, FlashFlex, flexPWR, JukeBlox, KEELOQ, KEELOQ logo, Kleer, LANCheck, MediaLB, MOST, MOST logo, MPLAB, OptoLyzer, PIC, PICSTART, PIC³² logo, RightTouch, SpyNIC, SST, SST Logo, SuperFlash and UNI/O are registered trademarks of Microchip Technology Incorporated in the U.S.A. and other countries.

The Embedded Control Solutions Company and mTouch are registered trademarks of Microchip Technology Incorporated in the U.S.A.

Analog-for-the-Digital Age, BodyCom, chipKIT, chipKIT logo, CodeGuard, dsPICDEM, dsPICDEM.net, ECAN, In-Circuit Serial Programming, ICSP, Inter-Chip Connectivity, KleerNet, KleerNet logo, MiWi, MPASM, MPF, MPLAB Certified logo, MPLIB, MPLINK, MultiTRAK, NetDetach, Omniscient Code Generation, PICDEM, PICDEM.net, PICKit, PICTail, RightTouch logo, REAL ICE, SQI, Serial Quad I/O, Total Endurance, TSHARC, USBCheck, VariSense, ViewSpan, WiperLock, Wireless DNA, and ZENA are trademarks of Microchip Technology Incorporated in the U.S.A. and other countries.

SQTP is a service mark of Microchip Technology Incorporated in the U.S.A.

Silicon Storage Technology is a registered trademark of Microchip Technology Inc. in other countries.

GestIC is a registered trademarks of Microchip Technology Germany II GmbH & Co. KG, a subsidiary of Microchip Technology Inc., in other countries.

All other trademarks mentioned herein are property of their respective companies.

© 2011 - 2014, Microchip Technology Incorporated, Printed in the U.S.A., All Rights Reserved.

ISBN: 9781632765444

QUALITY MANAGEMENT SYSTEM
CERTIFIED BY DNV
== ISO/TS 16949 ==

Microchip received ISO/TS-16949:2009 certification for its worldwide headquarters, design and wafer fabrication facilities in Chandler and Tempe, Arizona; Gresham, Oregon and design centers in California and India. The Company's quality system processes and procedures are for its PIC[®] MCUs and dsPIC[®] DSCs, KEELOQ[®] code hopping devices, Serial EEPROMs, microperipherals, nonvolatile memory and analog products. In addition, Microchip's quality system for the design and manufacture of development systems is ISO 9001:2000 certified.



Worldwide Sales and Service

AMERICAS

Corporate Office
2355 West Chandler Blvd.
Chandler, AZ 85224-6199
Tel: 480-792-7200
Fax: 480-792-7277
Technical Support:
<http://www.microchip.com/support>
Web Address:
www.microchip.com

Atlanta
Duluth, GA
Tel: 678-957-9614
Fax: 678-957-1455

Austin, TX
Tel: 512-257-3370

Boston
Westborough, MA
Tel: 774-760-0087
Fax: 774-760-0088

Chicago
Itasca, IL
Tel: 630-285-0071
Fax: 630-285-0075

Cleveland
Independence, OH
Tel: 216-447-0464
Fax: 216-447-0643

Dallas
Addison, TX
Tel: 972-818-7423
Fax: 972-818-2924

Detroit
Novi, MI
Tel: 248-848-4000

Houston, TX
Tel: 281-894-5983

Indianapolis
Noblesville, IN
Tel: 317-773-8323
Fax: 317-773-5453

Los Angeles
Mission Viejo, CA
Tel: 949-462-9523
Fax: 949-462-9608

New York, NY
Tel: 631-435-6000

San Jose, CA
Tel: 408-735-9110

Canada - Toronto
Tel: 905-673-0699
Fax: 905-673-6509

ASIA/PACIFIC

Asia Pacific Office
Suites 3707-14, 37th Floor
Tower 6, The Gateway
Harbour City, Kowloon
Hong Kong
Tel: 852-2943-5100
Fax: 852-2401-3431

Australia - Sydney
Tel: 61-2-9868-6733
Fax: 61-2-9868-6755

China - Beijing
Tel: 86-10-8569-7000
Fax: 86-10-8528-2104

China - Chengdu
Tel: 86-28-8665-5511
Fax: 86-28-8665-7889

China - Chongqing
Tel: 86-23-8980-9588
Fax: 86-23-8980-9500

China - Hangzhou
Tel: 86-571-8792-8115
Fax: 86-571-8792-8116

China - Hong Kong SAR
Tel: 852-2943-5100
Fax: 852-2401-3431

China - Nanjing
Tel: 86-25-8473-2460
Fax: 86-25-8473-2470

China - Qingdao
Tel: 86-532-8502-7355
Fax: 86-532-8502-7205

China - Shanghai
Tel: 86-21-5407-5533
Fax: 86-21-5407-5066

China - Shenyang
Tel: 86-24-2334-2829
Fax: 86-24-2334-2393

China - Shenzhen
Tel: 86-755-8864-2200
Fax: 86-755-8203-1760

China - Wuhan
Tel: 86-27-5980-5300
Fax: 86-27-5980-5118

China - Xian
Tel: 86-29-8833-7252
Fax: 86-29-8833-7256

China - Xiamen
Tel: 86-592-2388138
Fax: 86-592-2388130

China - Zhuhai
Tel: 86-756-3210040
Fax: 86-756-3210049

ASIA/PACIFIC

India - Bangalore
Tel: 91-80-3090-4444
Fax: 91-80-3090-4123

India - New Delhi
Tel: 91-11-4160-8631
Fax: 91-11-4160-8632

India - Pune
Tel: 91-20-3019-1500

Japan - Osaka
Tel: 81-6-6152-7160
Fax: 81-6-6152-9310

Japan - Tokyo
Tel: 81-3-6880-3770
Fax: 81-3-6880-3771

Korea - Daegu
Tel: 82-53-744-4301
Fax: 82-53-744-4302

Korea - Seoul
Tel: 82-2-554-7200
Fax: 82-2-558-5932 or
82-2-558-5934

Malaysia - Kuala Lumpur
Tel: 60-3-6201-9857
Fax: 60-3-6201-9859

Malaysia - Penang
Tel: 60-4-227-8870
Fax: 60-4-227-4068

Philippines - Manila
Tel: 63-2-634-9065
Fax: 63-2-634-9069

Singapore
Tel: 65-6334-8870
Fax: 65-6334-8850

Taiwan - Hsin Chu
Tel: 886-3-5778-366
Fax: 886-3-5770-955

Taiwan - Kaohsiung
Tel: 886-7-213-7830

Taiwan - Taipei
Tel: 886-2-2508-8600
Fax: 886-2-2508-0102

Thailand - Bangkok
Tel: 66-2-694-1351
Fax: 66-2-694-1350

EUROPE

Austria - Wels
Tel: 43-7242-2244-39
Fax: 43-7242-2244-393

Denmark - Copenhagen
Tel: 45-4450-2828
Fax: 45-4485-2829

France - Paris
Tel: 33-1-69-53-63-20
Fax: 33-1-69-30-90-79

Germany - Dusseldorf
Tel: 49-2129-3766400

Germany - Munich
Tel: 49-89-627-144-0
Fax: 49-89-627-144-44

Germany - Pforzheim
Tel: 49-7231-424750

Italy - Milan
Tel: 39-0331-742611
Fax: 39-0331-466781

Italy - Venice
Tel: 39-049-7625286

Netherlands - Drunen
Tel: 31-416-690399
Fax: 31-416-690340

Poland - Warsaw
Tel: 48-22-3325737

Spain - Madrid
Tel: 34-91-708-08-90
Fax: 34-91-708-08-91

Sweden - Stockholm
Tel: 46-8-5090-4654

UK - Wokingham
Tel: 44-118-921-5800
Fax: 44-118-921-5820

03/25/14