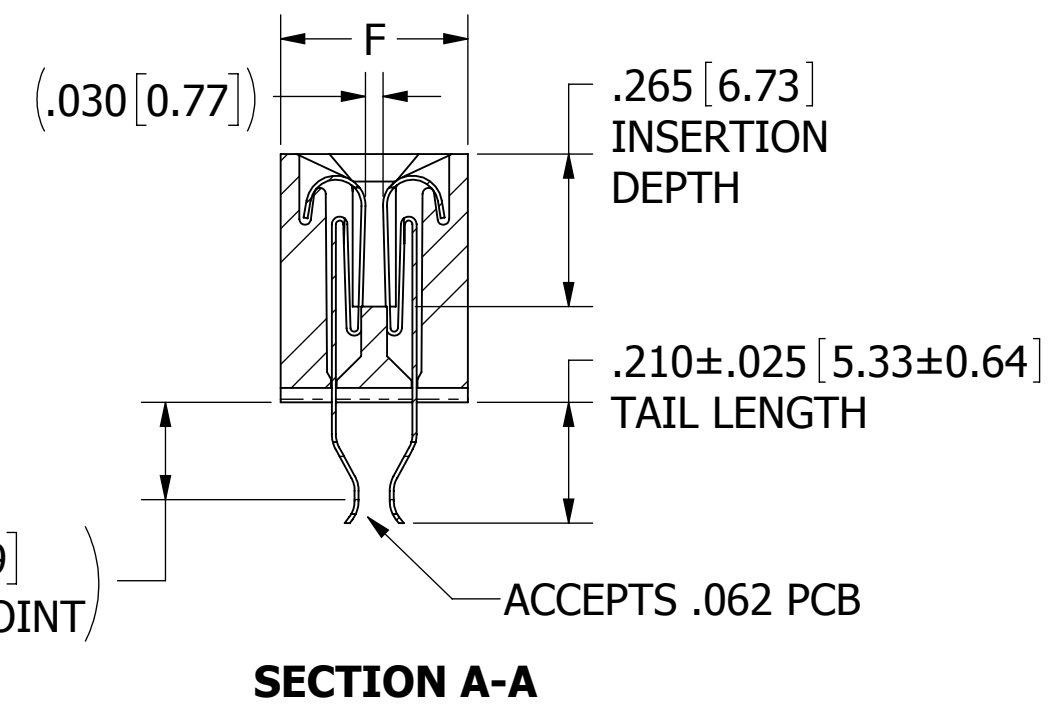
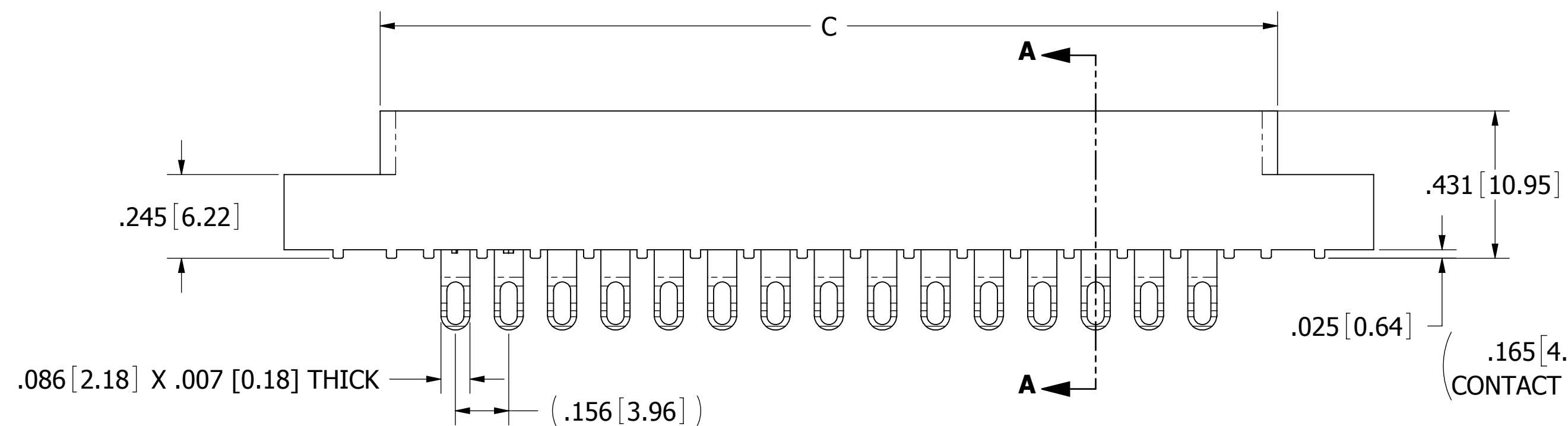
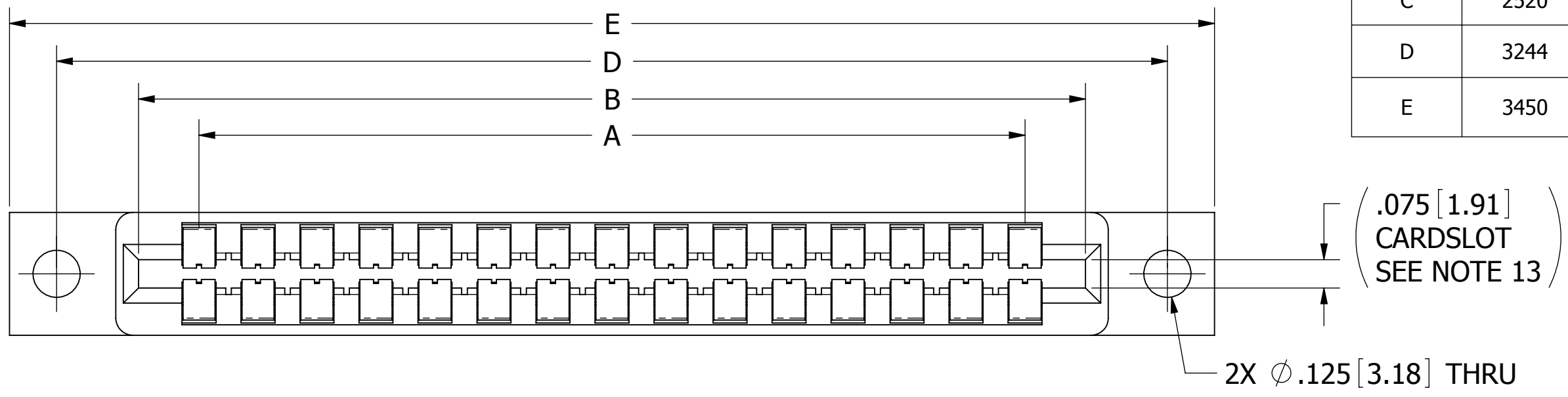
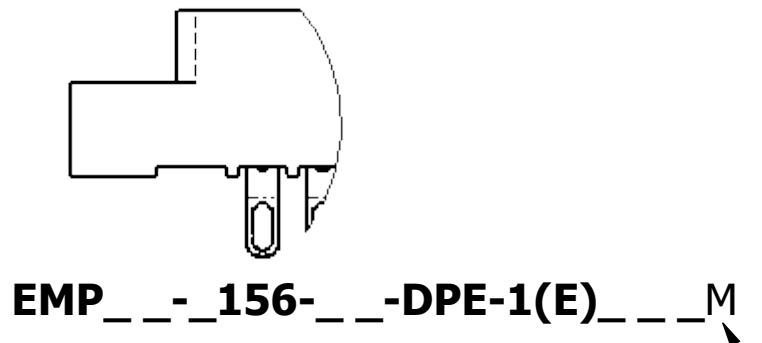


REVISIONS				
REV.	ECO. NO	DESCRIPTION	DATE	BY
B	2439	ADDED PLATING & INSULATOR OPTIONS	8/30/2011	JH
C	2520	UPDATED PN CODING TO INCLUDE REF S1077 OPTION	4/8/2013	JH
D	3244	ADD EMPP OPTION, UPDATE DWG FORMAT, OBSOLETE DWGS 11859 & 10373	6/30/2015	MG
E	3450	UPDATE 'M' PAD VIEW TO HAVE SQUARE CORNER, UPDATED ACCEPTS .062 PCB	2/28/2017	EP



EMP - 156 - DPE-1(E)



ADD 'M' TO END OF PART NUMBER FOR PADS ON ENDS OF CONNECTOR

CONTACT MARKINGS (LETTERS G, I, O & Q NOT USED)

SIZE 02 THRU 25
 1 2 3 ... 23 24 25
 A B C ... AA BB CC

SIZE 28 & 44
 1 2 3 ... 23 24 25
 A B C ... A B C

SIZE 36 & 43
 A B C ... A B C
 1 2 3 ... 23 24 25

CONTACT ID

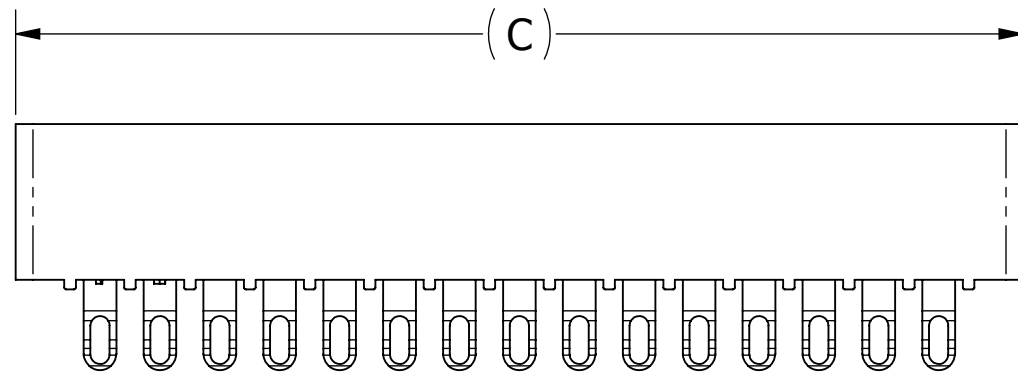
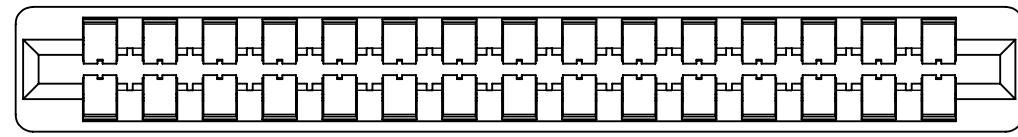
- NOTES:
- INSULATOR MATERIAL: SEE PART NUMBER CODING
 - CONTACT MATERIAL: SEE PART NUMBER CODING
 - PLATING: SEE PART NUMBER CODING
 - OPERATING TEMPERATURE: SEE PART NUMBER CODING
 - PROCESSING TEMP: SEE PART NUMBER CODING
 - UL FLAMMABILITY RATING: 94V-0
 - OPERATING VOLTAGE: 950 VAC
 - CURRENT RATING: 3 AMP
 - CONTACT RESISTANCE: 30 MILLI OHMS MAX
 - INSULATION RESISTANCE: 5000 MEGA OHMS
 - DURABILITY: 500 CYCLES MINIMUM
 - CONNECTOR IDENTIFICATION: THE PART SHALL BE MARKED WITH A PART NUMBER AND LOT CODE
 - BOARD THICKNESS ACCOMMODATED: .062 ± .008 [1.57 ± 0.20]
 - INSERTION FORCE: 16 OZ MAX PER CONTACT PAIR WHEN USING A .062 [1.57] TEST BLADE INTERNAL INSPECTION TO BE PER SULLINS WORK INSTRUCTION WI7.3-01
 - WITHDRAWAL FORCE: 1 OZ MIN PER CONTACT PAIR USING .062 [1.57] PCB
 - MODIFICATION: MICRO PLASTICS FLARED, CARD EXTENDER BEND FOR LOW PROFILE CONNECTOR, .055" INSIDE DIMENSION FOR .062" PCB.

REF: __M__DSE_-P13, P69, S1077, S1165

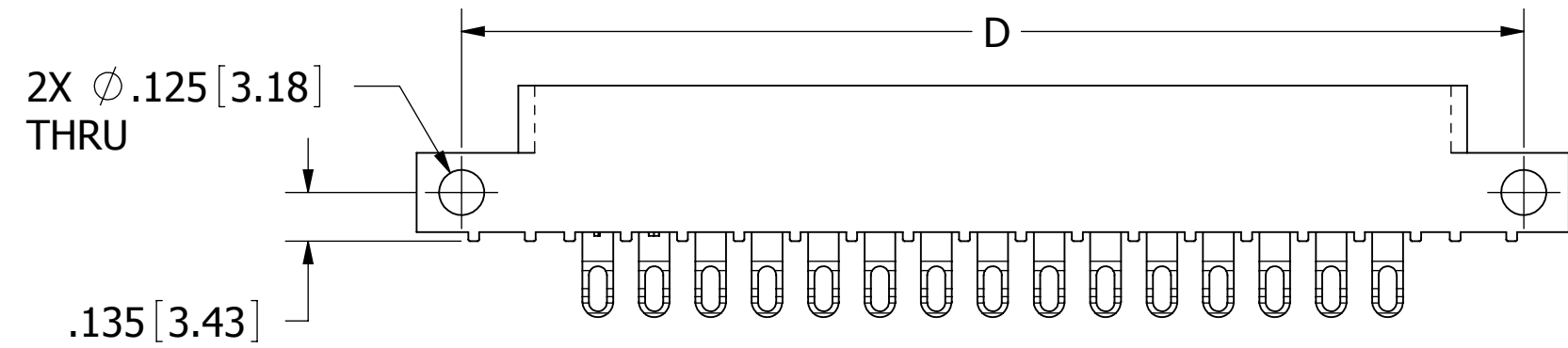
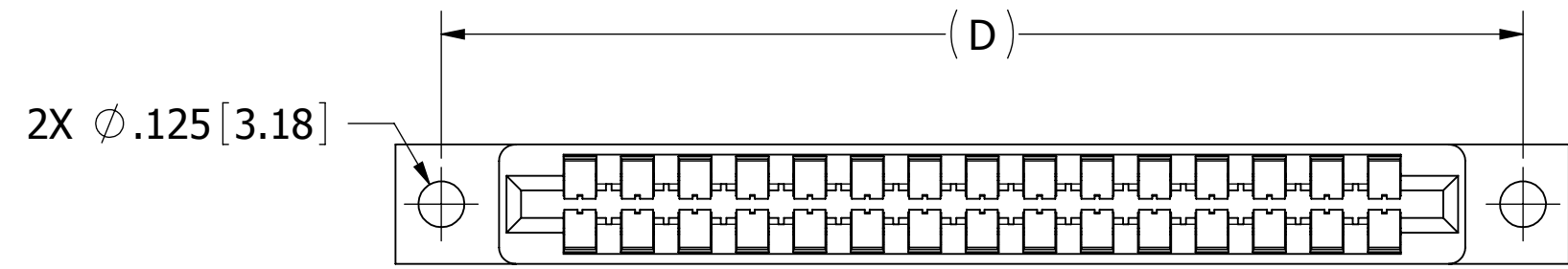
CUSTOMER COPY



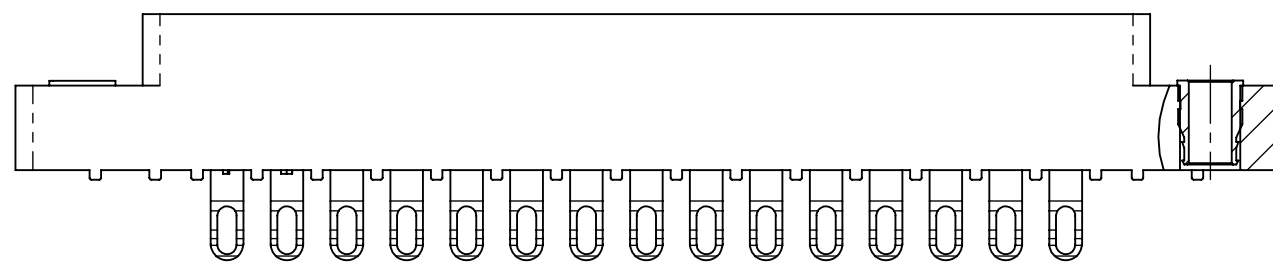
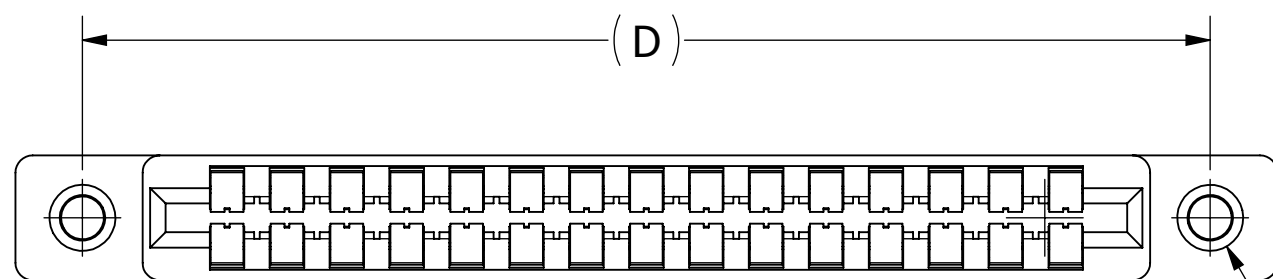
UNLESS OTHERWISE SPECIFIED: DIMENSIONS ARE IN INCHES [MM]		DRAWN	DATE	NAME	
TOLERANCES: ANGULAR: ± 1° DECIMALS .XX = ± .02 [.5] .XXX = ± .005 [0.13] .XXXX = ± .0005 [0.13]		7/14/2009	JH	JH	
<small>THE INFORMATION HEREIN CONTAINS PROPRIETARY INFORMATION OF SULLINS ELECTRONICS AND IS NOT TO BE REPRODUCED, USED OR DISCLOSED TO OTHERS FOR ANY PURPOSE EXCEPT AS SPECIFICALLY AUTHORIZED IN WRITING BY AN OFFICER OF SULLINS ELECTRONICS.</small>					PART NUMBER EMP - 156 - DPE- (E)
SIZE	CAGE CODE	DWG. NO.	REV		
C	54453	C11270	E		
SCALE: 3:1		SHEET 1 OF 3			



EMP -156- -DPE-4(E)



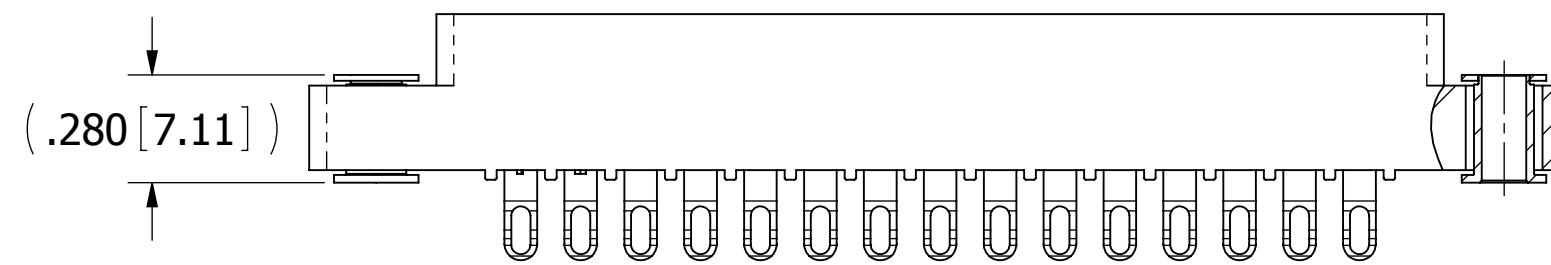
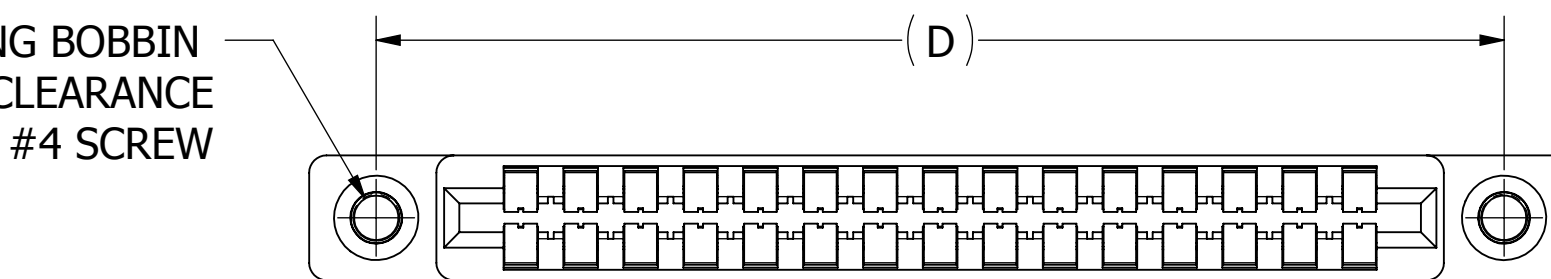
EMP -156- -DPE-8(E)



EMP -156- -DPE-2(E)

2X FLOATING BOBBIN
 ϕ .116 [2.95] CLEARANCE
 HOLE FOR #4 SCREW

2X #4-40
 THREADED
 INSERTS



EMP -156- -DPE-3(E)

CUSTOMER COPY



UNLESS OTHERWISE SPECIFIED:
 DIMENSIONS ARE IN INCHES [MM]

TOLERANCES:

ANGULAR: $\pm 1^\circ$

DECIMALS

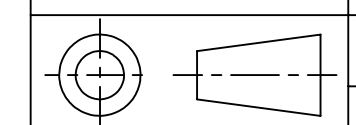
.XX = $\pm .02$ [.5]

.XXX = $\pm .005$ [.13]

.XXXX = $\pm .0005$ [.013]

DRAWN DATE NAME
 7/14/2009 JH

THE INFORMATION HEREIN CONTAINS
 PROPRIETARY INFORMATION OF
 SULLINS ELECTRONICS AND IS NOT
 TO BE REPRODUCED, USED OR
 DISCLOSED TO OTHERS FOR ANY
 PURPOSE EXCEPT AS SPECIFICALLY
 AUTHORIZED IN WRITING BY AN
 OFFICER OF SULLINS ELECTRONICS.



TITLE
EDGE CARD, .156 CC, LP

PART NUMBER
EMP -156- -DPE- (E)

SIZE CAGE CODE DWG. NO. REV
C 54453 C11270 E

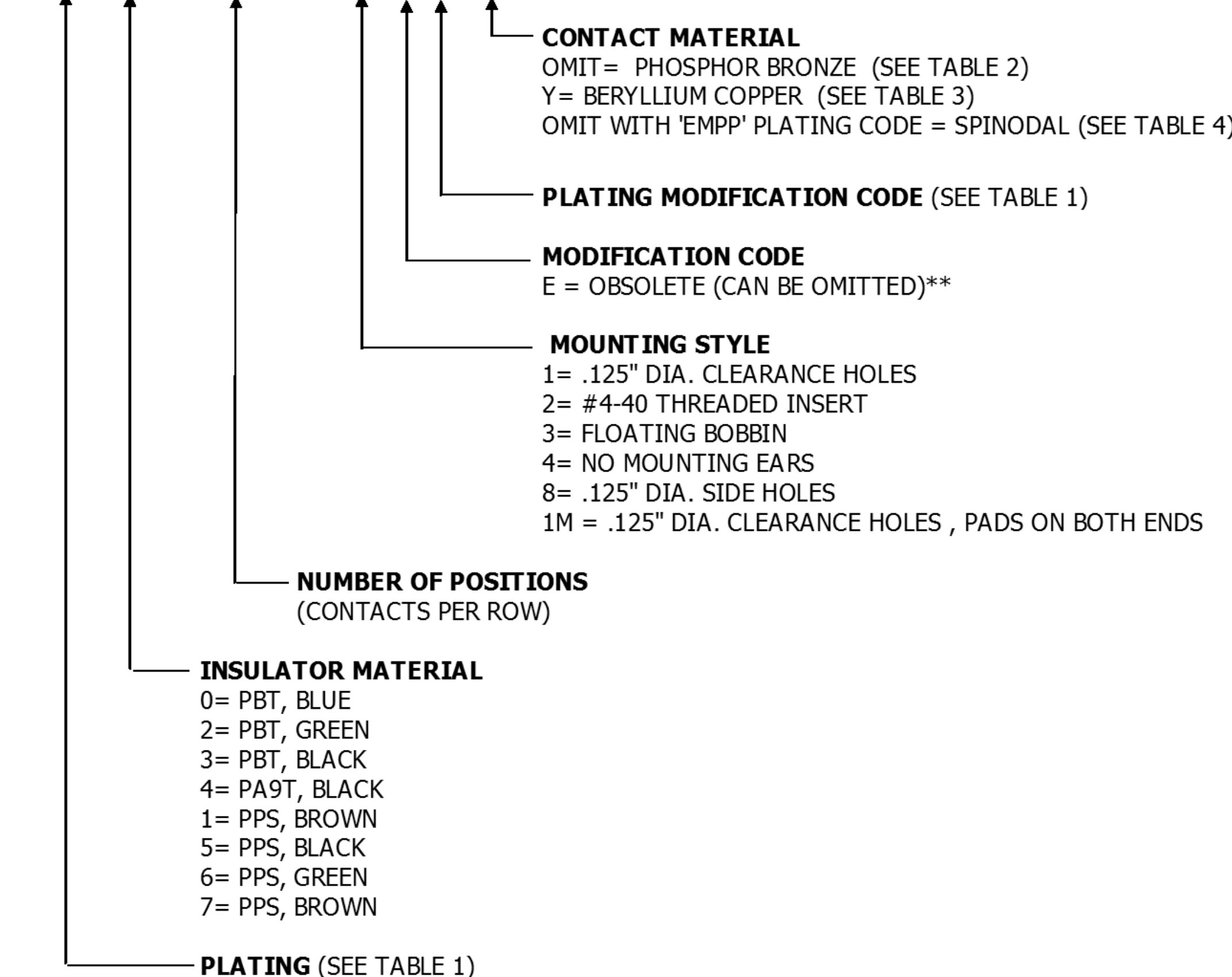
SCALE: 2:1 SHEET 2 OF 3

PART NUMBER	NO. OF POS.	A ± .008[0.20]		B ± .008[0.20]		C ± .015[0.38]		D ± .010[0.25]		E ± .020[0.51]		E ± .020[0.51]		F + .005 [0.13]/-.015 [0.38]			
		IN	MM	IN	MM	IN	MM	IN	MM	IN	MM	IN	MM	IN	MM		
		EMP- 156-02-DPE- (E) _ _ _ _	2	0.156	3.96	0.476	12.09	0.596	15.14	MOUNTING OPTION '4' ONLY							
EMP- 156-03-DPE- (E) _ _ _ _	3	0.312	7.92	0.632	16.05	0.752	19.10										
EMP- 156-06-DPE- (E) _ _ _ _	6	0.780	19.81	1.100	27.94	1.220	30.99	1.533	38.94	1.782	45.26	1.882	47.80				
EMP- 156-08-DPE- (E) _ _ _ _	8	1.092	27.74	1.412	35.86	1.532	38.91	1.845	46.86	2.094	53.19	2.194	55.73				
EMP- 156-10-DPE- (E) _ _ _ _	10	1.404	35.66	1.724	43.79	1.844	46.84	2.157	54.79	2.406	61.11	2.506	63.65				
EMP- 156-11-DPE- (E) _ _ _ _	11	1.560	39.62	1.880	47.75	2.000	50.80	2.313	58.75	2.562	65.07	2.662	67.61				
EMP- 156-12-DPE- (E) _ _ _ _	12	1.716	43.59	2.036	51.71	2.156	54.76	2.469	62.71	2.718	69.04	2.818	71.58				
EMP- 156-15-DPE- (E) _ _ _ _	15	2.184	55.47	2.504	63.60	2.624	66.65	2.937	74.60	3.186	80.92	3.286	83.46				
EMP- 156-18-DPE- (E) _ _ _ _	18	2.652	67.36	2.972	75.49	3.092	78.54	3.405	86.49	3.654	92.81	3.754	95.35				
EMP- 156-22-DPE- (E) _ _ _ _	22	3.276	83.21	3.596	91.34	3.716	94.39	4.029	102.34	4.278	108.66	4.378	111.20				
EMP- 156-24-DPE- (E) _ _ _ _	24	3.588	91.14	3.908	99.26	4.028	102.31	4.341	110.26	4.590	116.59	4.690	119.13				
EMP- 156-25-DPE- (E) _ _ _ _	25	3.744	95.10	4.064	103.23	4.184	106.27	4.497	114.22	4.746	120.55	4.846	123.09				
EMP- 156-28-DPE- (E) _ _ _ _	28	4.212	106.98	4.532	115.11	4.652	118.16	4.965	126.11	5.214	132.44	5.314	134.98	0.438	11.13		
EMP- 156-36-DPE- (E) _ _ _ _	36	5.460	138.68	5.780	146.81	5.900	149.86	6.213	157.81	6.462	164.13	6.562	166.67				
EMP- 156-43-DPE- (E) _ _ _ _	43	6.552	166.42	6.872	174.55	6.992	177.60	7.305	185.55	7.554	191.87	7.654	194.41	0.500	12.70		
EMP- 156-44-DPE- (E) _ _ _ _	44	6.708	170.38	7.028	178.51	7.148	181.56	7.461	189.51	7.710	195.83	7.810	198.37				

FOR CONNECTORS WITH THREADED INSERTS OR FLOATS

PART NUMBER CODING

EMP - 156 - DPE - (E)



**OPTIONAL "E" CODE MEANS .020" LONGER CARD SLOT, NOW STANDARD, SEE DIMENSION 'B'

TABLE 1 (PLATING):

ALL PLATINGS HAVE .000050" MIN NICKEL UNDERPLATE

	CONTACT SURFACE	TERMINATION	PLATING MODIFICATION CODE
EMP, EMPP	.000010" GOLD OVERALL		OMIT
	.000030" GOLD	.000010" GOLD OVERALL	G
EMPSL	.000010" GOLD	.000100" PURE TIN, MATTE	K
	.000030" GOLD	.000100" PURE TIN, MATTE	GK
EMPL	.000100" PURE TIN, MATTE OVERALL		K

1. EMPL AVAILABLE WITH PHOSPHOR BRONZE CONTACTS ONLY
2. EMP, EMPSL AVAILABLE IN PHOSPHOR BRONZE OR BERYLLIUM COPPER
3. EMPP = SPINODAL

TABLE 2 (PHOSPHOR BRONZE CONTACTS): EMP, EMPL, EMPSL

INSULATOR MATERIAL CODE	OPERATING TEMPERATURE	PROCESSING TEMPERATURE
0, 2, 3	-65°C TO +125°C	WAVE/MANUAL SOLDERING ONLY
1, 5, 6, 7	-65°C TO +125°C	260°C MAX FOR 20 SEC
4	-65°C TO +125°C	260°C MAX FOR 20 SEC

TABLE 3 (BERYLLIUM COPPER CONTACTS): EMP OR EMPSL WITH 'Y' MODIFICATION CODE

INSULATOR MATERIAL CODE	OPERATING TEMPERATURE	PROCESSING TEMPERATURE
0, 2, 3	-65°C TO +125°C	WAVE /MANUAL SOLDERING ONLY
1, 5, 6, 7	-65°C TO +150°C	260°C MAX FOR 20 SEC
4	-65°C TO +150°C	260°C MAX FOR 20 SEC

TABLE 4 (SPINODAL CONTACTS): EMPP

INSULATOR MATERIAL CODE	OPERATING TEMPERATURE	PROCESSING TEMPERATURE
1, 5, 6, 7	-65°C TO +200°C	260°C MAX FOR 20 SEC

CUSTOMER COPY

UNLESS OTHERWISE SPECIFIED: DIMENSIONS ARE IN INCHES [MM]		DRAWN	DATE	NAME	
		7/14/2009	JH		
TOLERANCES: ANGULAR: ± 1° DECIMALS .XX = ± .02 [.5] .XXX = ± .005 [.13] .XXXX = ± .0005 [.013]					TITLE EDGE CARD, .156 CC, LP
THE INFORMATION HEREIN CONTAINS PROPRIETARY INFORMATION OF SULLINS ELECTRONICS AND IS NOT TO BE REPRODUCED, USED OR DISCLOSED TO OTHERS FOR ANY PURPOSE EXCEPT AS SPECIFICALLY AUTHORIZED IN WRITING BY AN OFFICER OF SULLINS ELECTRONICS.					PART NUMBER EMP - 156 - DPE - (E)
		SIZE C 54453	CAGE CODE 54453	DWG. NO. C11270	REV E
SCALE: 2:1		SHEET 3 OF 3			

