

4

3

2

1

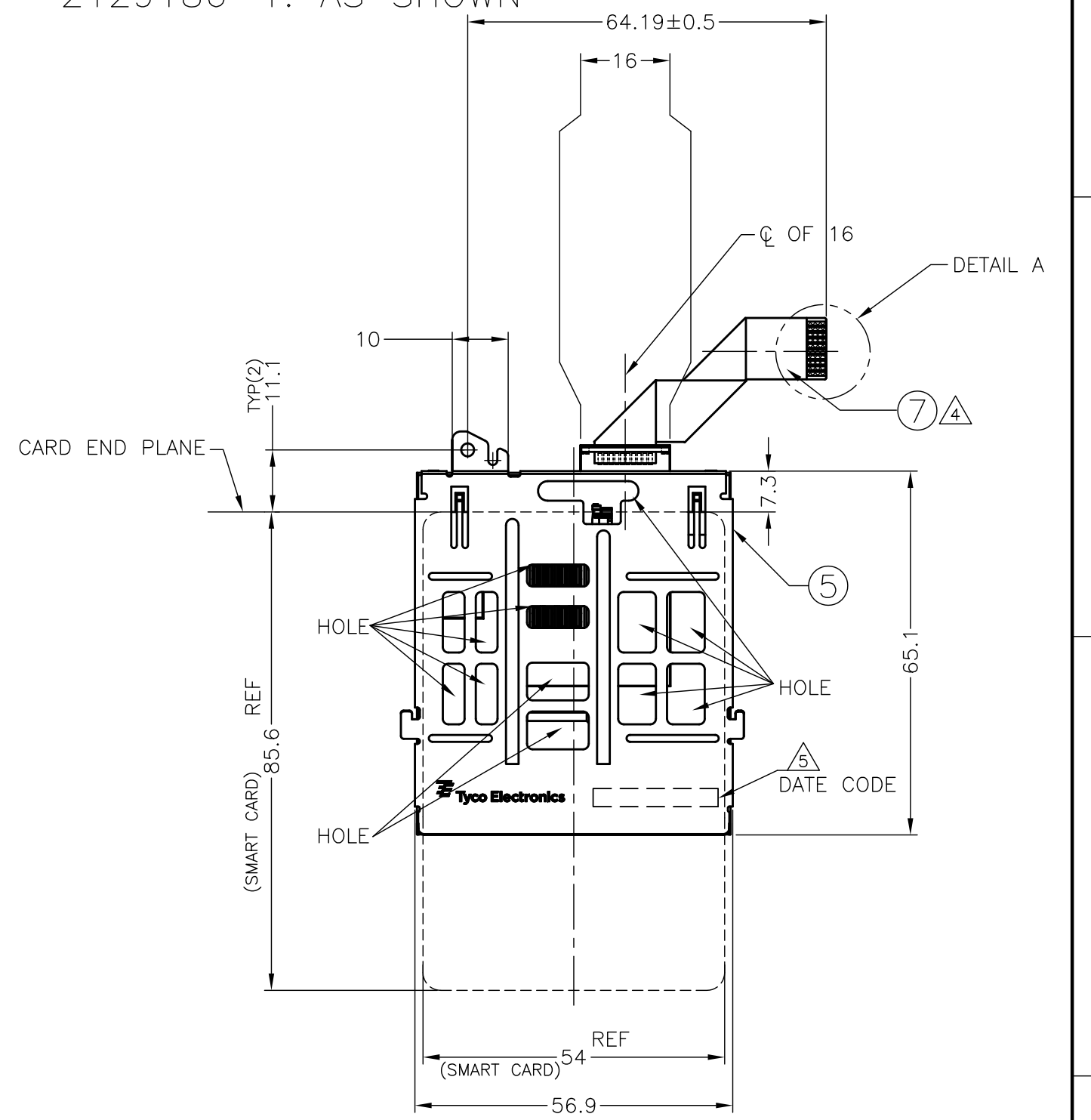
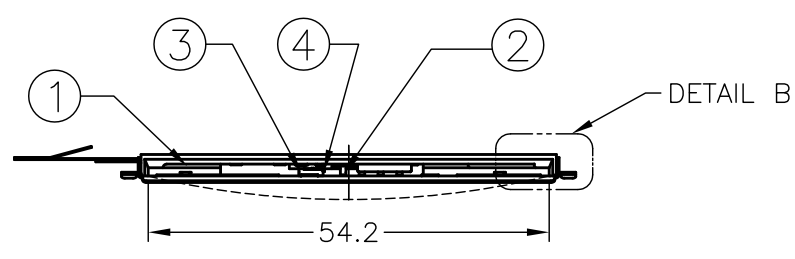
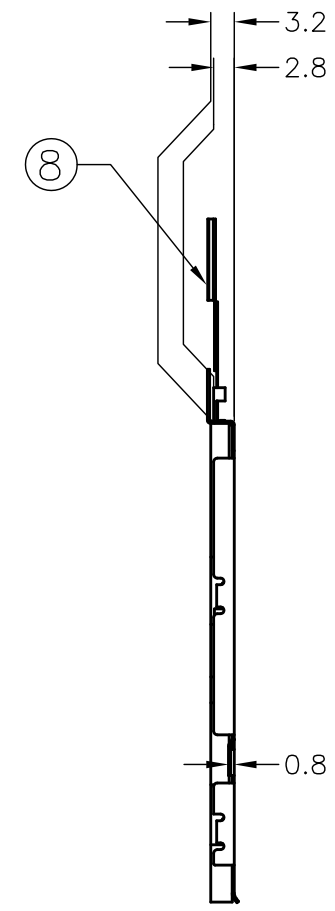
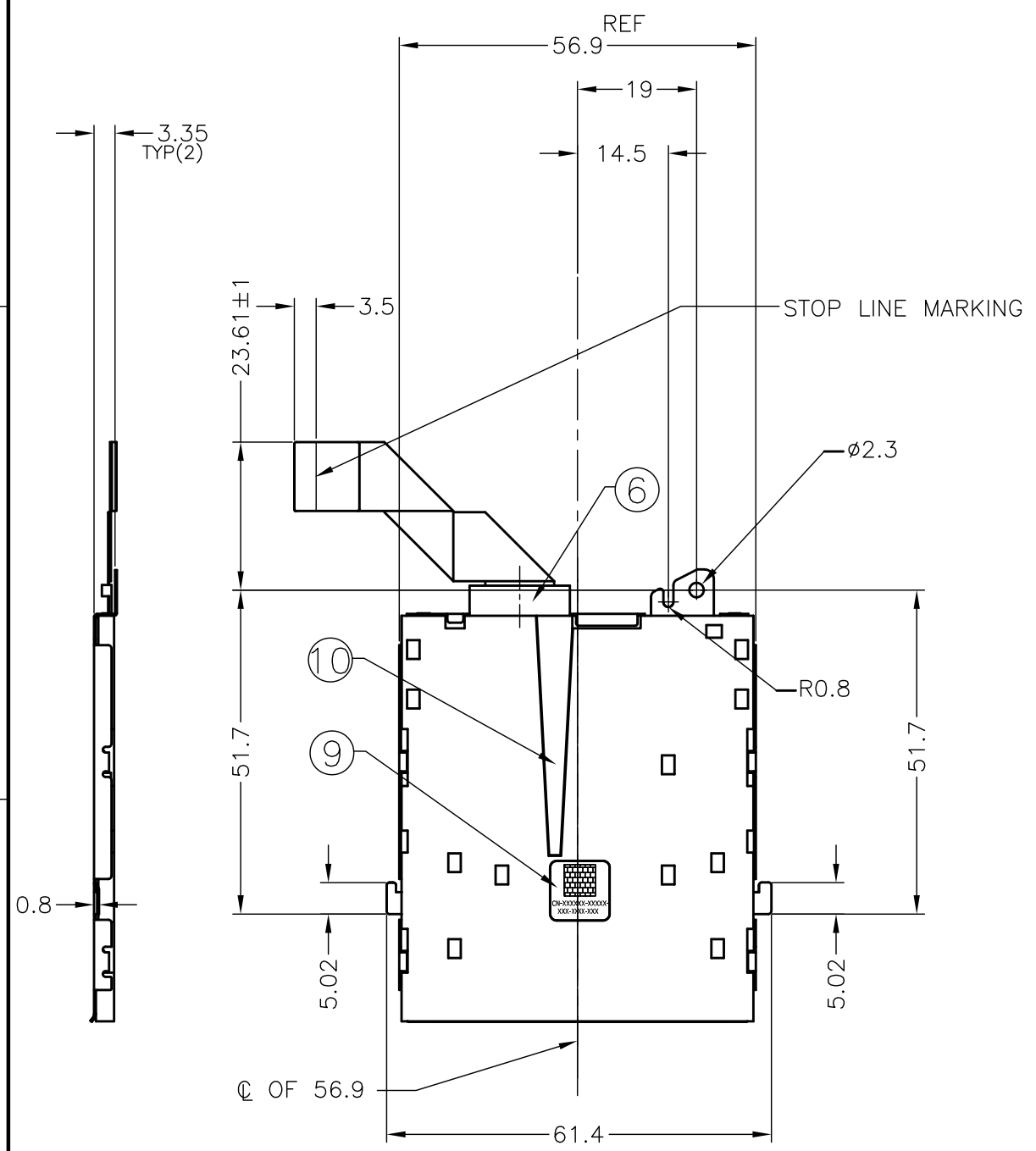
THIS DRAWING IS UNPUBLISHED. RELEASED FOR PUBLICATION  
 © COPYRIGHT - By - ALL RIGHTS RESERVED.


LOC	DIST	REVISIONS			
P	LTR	DESCRIPTION	DATE	DWN	APVD
DW		E	REVISED (ECR-12-019990)	21NOV2012	B.W H.K

2129186-1: AS SHOWN

D  
C  
B  
A

D  
C  
B  
A

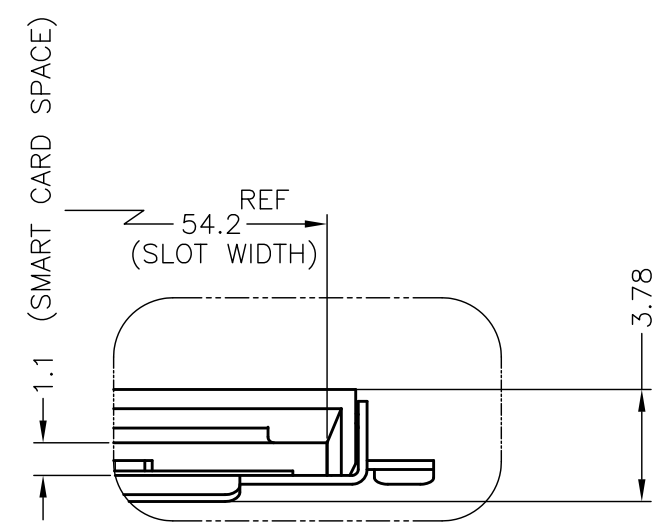


THIS DRAWING IS A CONTROLLED DOCUMENT.		DWN	P.HSU	01JUN'10	 <b>TE Connectivity</b>
DIMENSIONS: mm		CHK	W.CHEN	29APR'10	
TOLERANCES UNLESS OTHERWISE SPECIFIED:		APVD	H.KODAMA	29APR'10	
6 PLC ± 1 PLC ± ±0.25 2 PLC ± ±3 3 PLC ± ± 4 PLC ± ± ANGLES ± ±		PRODUCT SPEC	NAME		
MATERIAL		APPLICATION SPEC		108-99011	
FINISH		WEIGHT		17.4g	
		CUSTOMER DRAWING		SCALE 1:1	
		SIZE		A3	
		CAGE CODE		00779	
		DRAWING NO		2129186	
		RESTRICTED TO			
		SHEET		1 of 3	
		REV		E	

THIS DRAWING IS UNPUBLISHED. RELEASED FOR PUBLICATION  
 © COPYRIGHT - By - ALL RIGHTS RESERVED.

LOC	DIST	REVISIONS					
DW		P	LTR	DESCRIPTION	DATE	DWN	APVD
		-		SEE SHEET 1	-	-	-

2129186-1: AS SHOWN

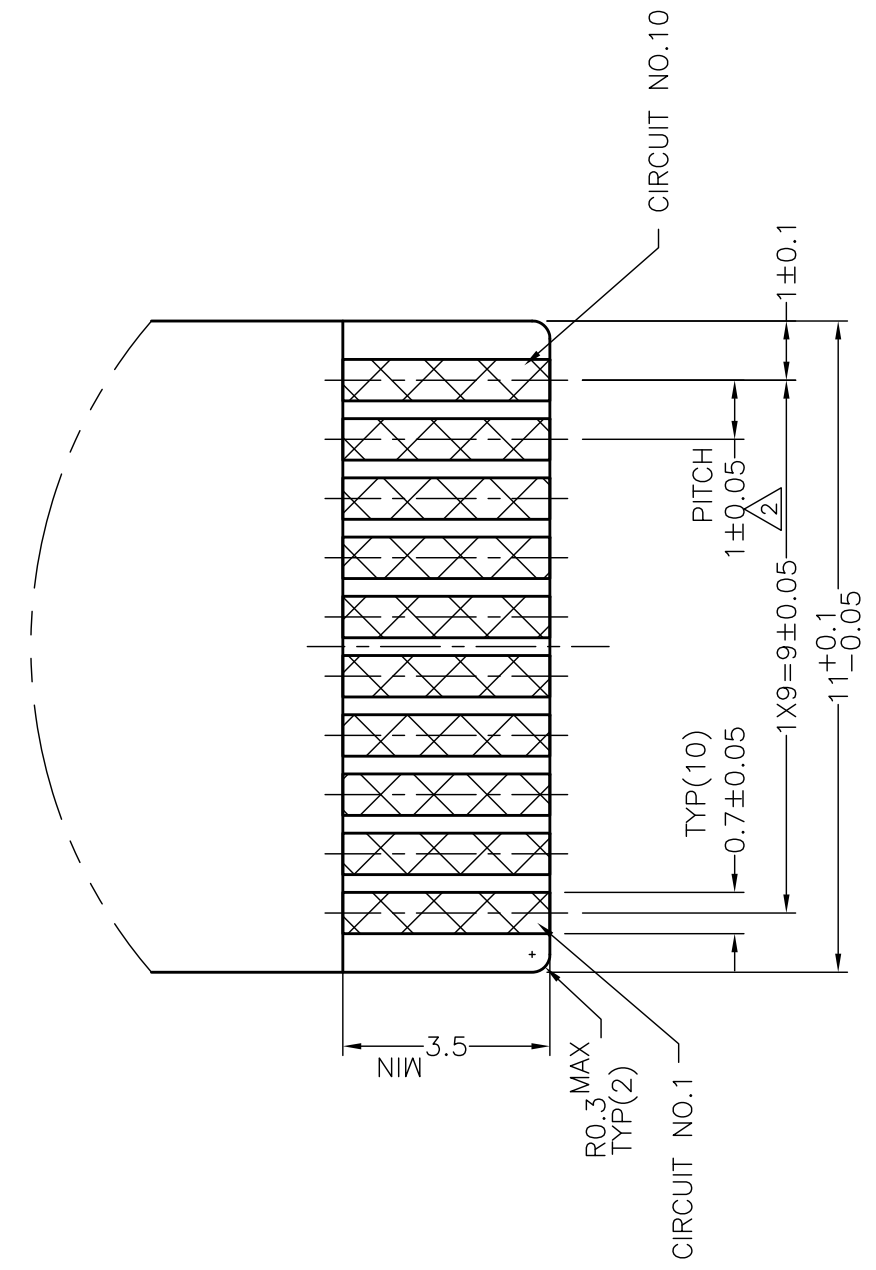


DETAIL B  
SCALE 4:1

1	Vcc
2	RST
3	CLK
4	RFU4
5	GND
6	Vpp
7	I/O
8	RFU8
9	DET1
10	DET2
CIRCUIT NO.	ASSIGN

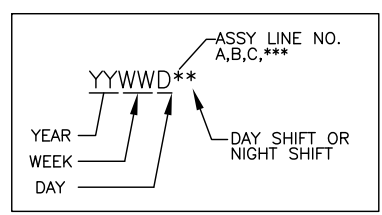
△1 PIN ASSIGNMENT

- △1 FFC PIN ASSIGNMENT (FFC/STIFFENER THICKNESS: 0.3 mm)
- △2 NO STACK TOLERANCE.
- △3 NORMAL OPEN (PIN SHORT WHEN SMARTCARD INSERTED).
- △4 APPLICABLE FPC/FFC CONNECTOR; TE P/N:1-2041084-0
- △5 DATE CODE



DETAIL A

⑩	MYLAR	1	POLYESTER FILM, COLOR:BLACK
⑨	PPID LABEL	1	POLYIMIDE
⑧	PULL TAB	1	POLYESTER, UL94 V-0
⑦	FFC CABLE	1	MATERIAL: THERMOPLASTICS INSULATED; COPPER STIFFENER BOARD : POLYESTER,UL94V-0 ; COLOR:BLUE FINISH: MATTE TIN PLATING 0.001mm MIN.,
⑥	PWB	1	FR-4(THK:0.4mm)
⑤	METAL SHELL	1	STAINLESS STEEL
④	SWITCH A	1	MATERIAL: CONTACTS: PHOSPHOR BRONZE
③	SWITCH B	1	FINISH: CONTACT AREA: GOLD PLATING 0.0002mm MIN., SOLDER TINE: MATTE TIN PLATING 0.002mm MIN., Ni 0.00127mm MIN. UNDERPLATING ALL OVER.
②	SIGNAL CONTACT	8	
①	HOUSING	1	HIGH TEMP THERMOPLASTICS, COLOR:BLACK, UL94 V-0
ITEM	NAME	QTY	MATERIAL/FINISH



THIS DRAWING IS A CONTROLLED DOCUMENT.		DWN		TE Connectivity	
DIMENSIONS: mm		CHK			
TOLERANCES UNLESS OTHERWISE SPECIFIED:		APVD		NAME	
8 PLC ± 1 PLC ± ±0.25 2 PLC ± ±3° 3 PLC ± ± 4 PLC ± ± ANGLES ± ±		PRODUCT SPEC		SMART CARD CONNECTOR WITH FFC( 1.0mm PITCH )	
MATERIAL		FINISH		SIZE	
				CAGE CODE	
				DRAWING NO	
				RESTRICTED TO	
				A3 00779	
				C-2129186	
				SCALE 8:1 SHEET 2 OF 3 REV E	
				CUSTOMER DRAWING	

4

3

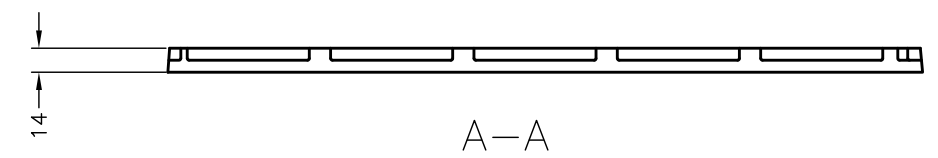
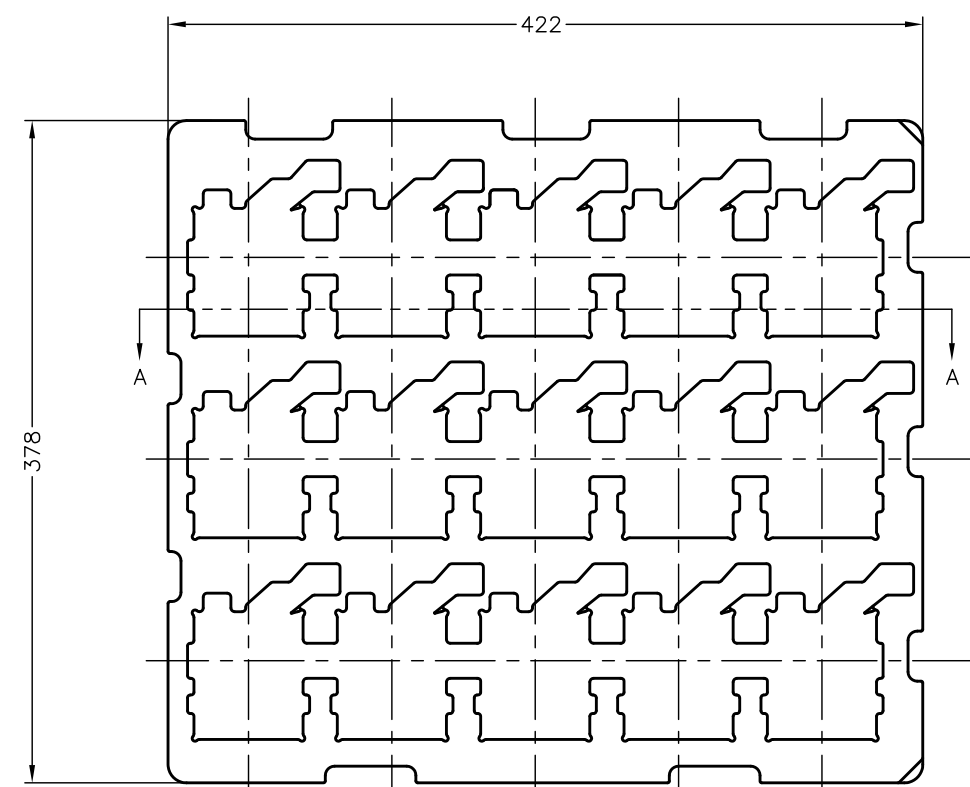
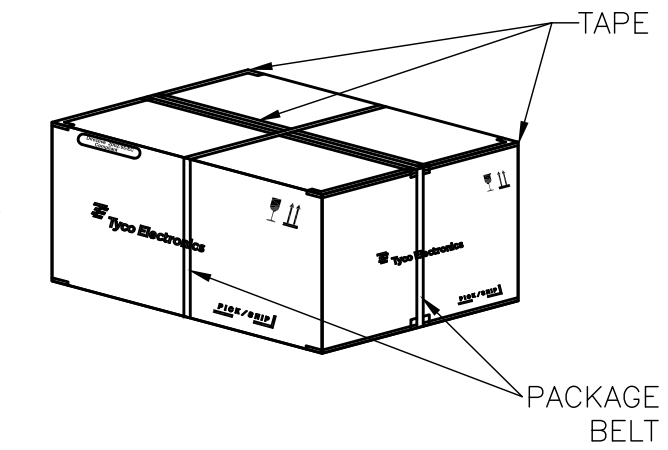
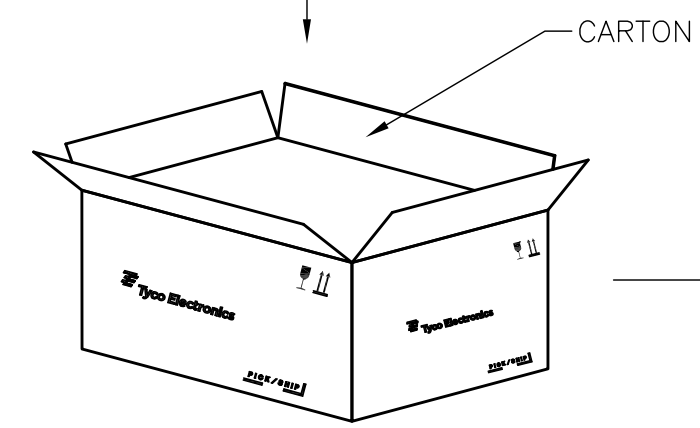
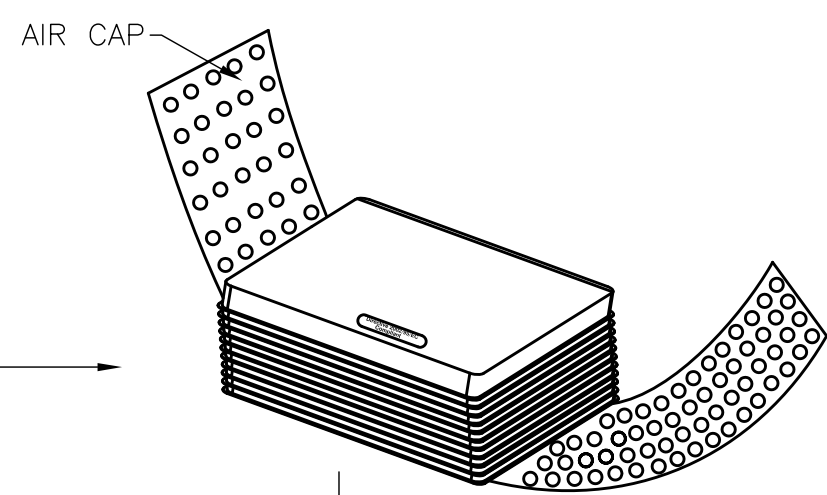
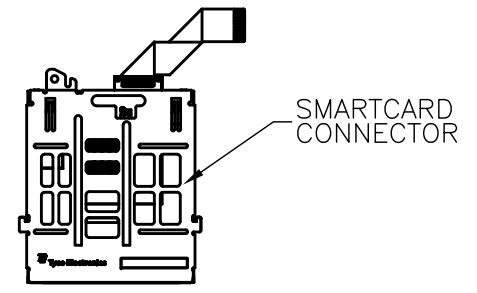
2

1

THIS DRAWING IS UNPUBLISHED. RELEASED FOR PUBLICATION  
 © COPYRIGHT - By - ALL RIGHTS RESERVED.

LOC	DIST	REVISIONS			
P	LTR	DESCRIPTION	DATE	DWN	APVD
DW	/	SEE SHEET 1	-	-	-

2129186-1: AS SHOWN



- 6. PACKING MATERIAL:  
 TRAY: PS, COLOR: CLEAR, t=0.8  
 CARTON : CORRUGATED FIBERBOARD
- 7. CARTON DIMENSION: 433X383X150

15	10	150
PCS/TRAY	TRAY/CARTON	TOTAL Q'TY

THIS DRAWING IS A CONTROLLED DOCUMENT.		DWN	-	
DIMENSIONS: mm		CHK	-	
TOLERANCES UNLESS OTHERWISE SPECIFIED:		APVD	-	
6 PLC ±		PRODUCT SPEC	-	
1 PLC ± ±3		APPLICATION SPEC	-	
2 PLC ± ±3		WEIGHT	-	
3 PLC ± ±3		CUSTOMER DRAWING	-	
4 PLC ± ±		SCALE	FREE	SHEET 3 of 3
ANGLES ± ±		REV	E	
FINISH		TE Connectivity NAME: SMART CARD CONNECTOR WITH FFC( 1.0mm PITCH ) SIZE: A3 CAGE CODE: 00779 DRAWING NO: 2129186 RESTRICTED TO: -		