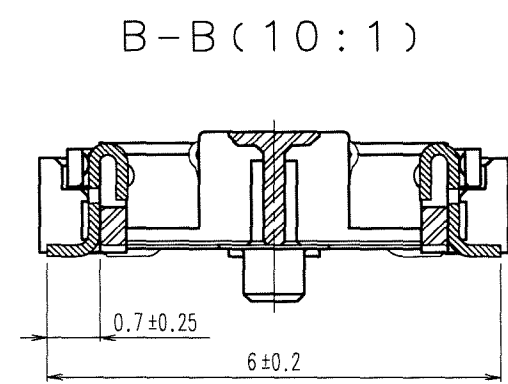
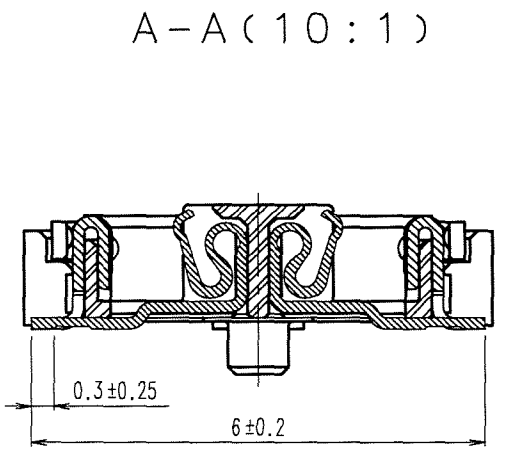
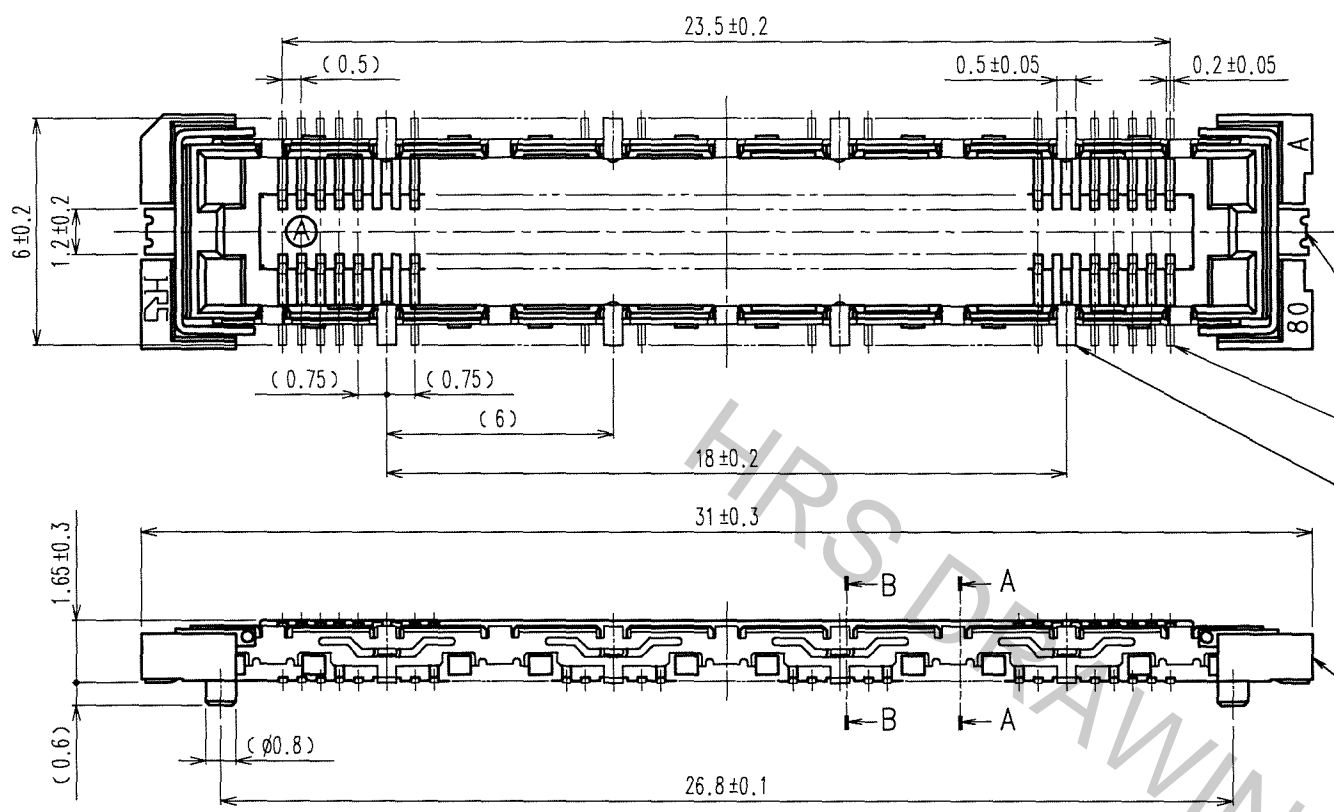
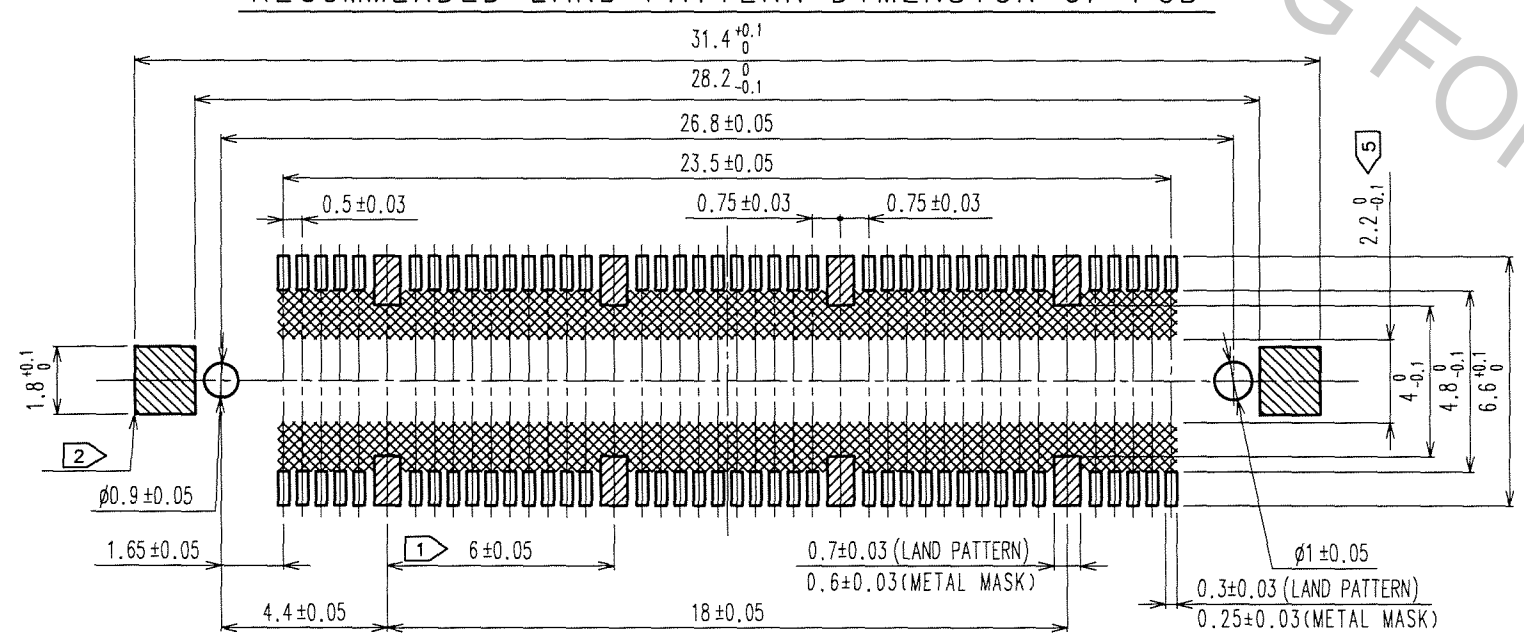


Apr.1.2017 Copyright 2017 HIROSE ELECTRIC CO., LTD. All Rights Reserved.

| COUNT | DESCRIPTION OF REVISIONS | BY | CHKD | DATE | COUNT | DESCRIPTION OF REVISIONS | BY | CHKD | DATE |
|-------|--------------------------|----|------|------|-------|--------------------------|----|------|------|
|       |                          |    |      |      |       |                          |    |      |      |
|       |                          |    |      |      |       |                          |    |      |      |
|       |                          |    |      |      |       |                          |    |      |      |



RECOMMENDED LAND PATTERN DIMENSION OF PCB



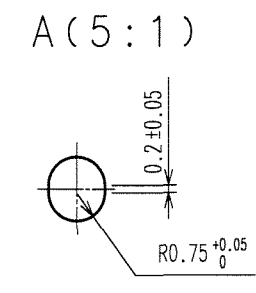
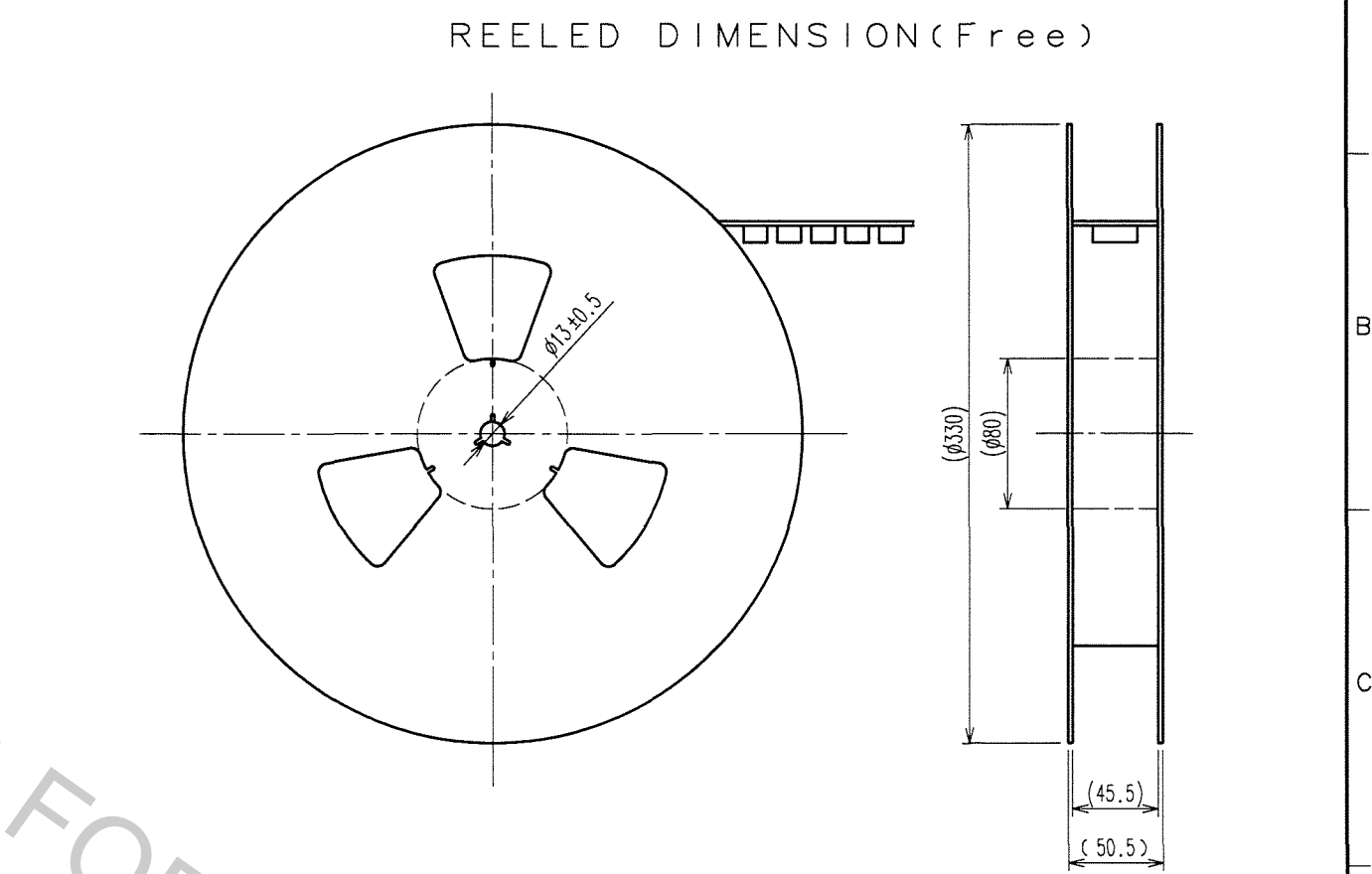
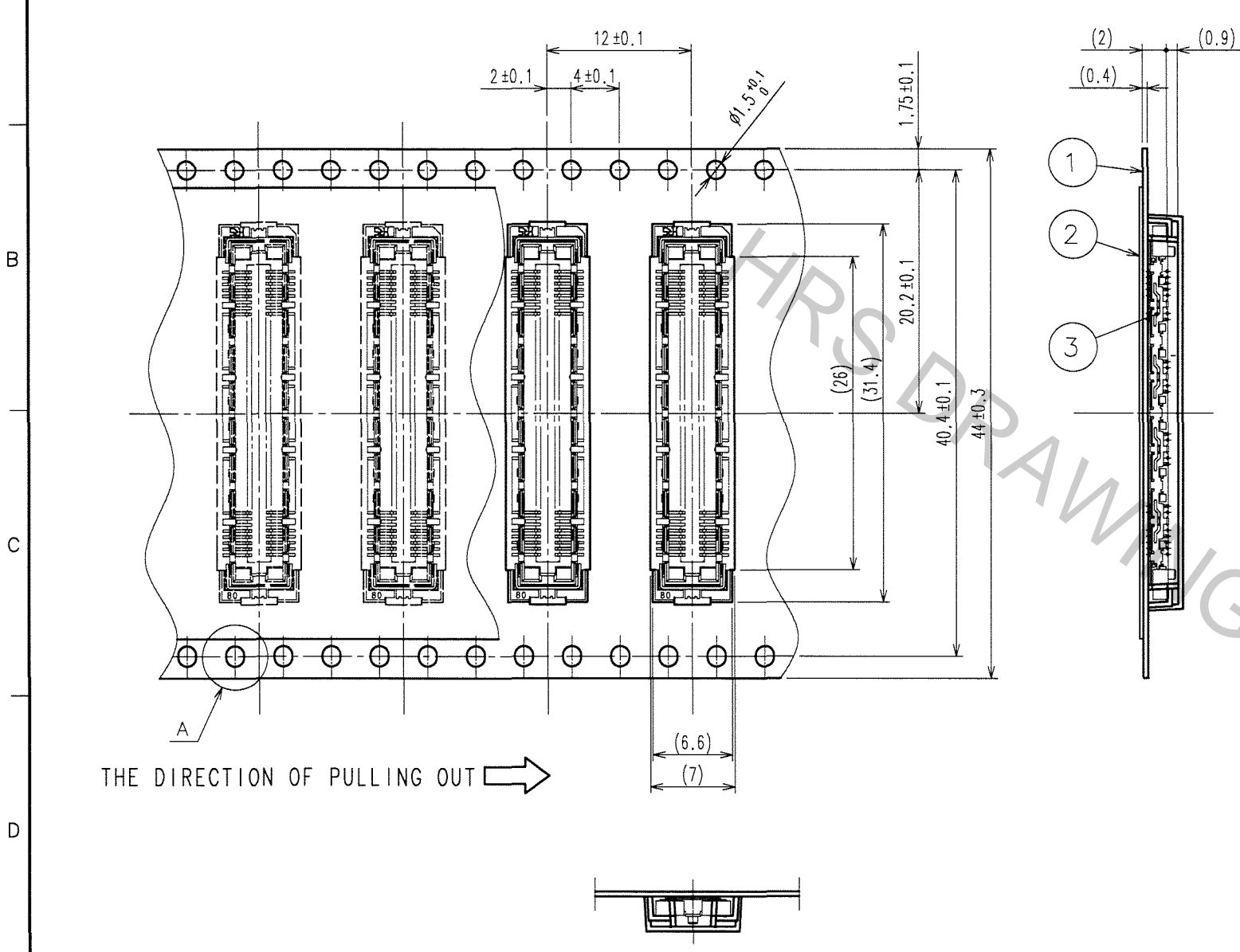
- NOTES
- 1 8 HATCHED PARTS: GROUND CIRCUIT.
  - 2 2 HATCHED PARTS: GROUND CIRCUIT.
  - 3 SMT LEAD-COPLANARITY: 0.1 MAX.
  - 4 THIS PRODUCT HAS NO POLARITY TO PATTERN FOR MOUNTING.
  - 5 MAKE SURE WIDTH OF PATTERN IS WITHIN THAT OF LAND, OR LEAD MAY TOUCH PATTERN. (THIS APPLIES TO HATCHED AREA.)
  - 6 TO BE EMBOSSED CARRIER TAPED AS SPECIFIED IN SHEET 2.
  - 7 THE DIMENSIONS IN PARENTHESES ARE FOR REFERENCE.

TO  
PCK

| 4                             | PHOSPHOR BRONZE | TIN-PLATING     |                                 |            |                 |             |          |  |  | CONTACT AREA: GOLD 0.1μm min.  |  |
|-------------------------------|-----------------|-----------------|---------------------------------|------------|-----------------|-------------|----------|--|--|--------------------------------|--|
| 3                             | PHOSPHOR BRONZE | TIN-PLATING     |                                 | 2          | PHOSPHOR BRONZE |             |          |  |  | LEAD AREA: GOLD FLASH          |  |
| 1                             | LCP             | BEIGE UL94V-0   |                                 |            |                 |             |          |  |  | UNDER PLATING: NICKEL 1μm min. |  |
| NO.                           | MATERIAL        | FINISH, REMARKS | NO.                             | MATERIAL   | FINISH, REMARKS |             |          |  |  |                                |  |
| CODE NO. (OLD)<br>CL          |                 |                 | DRAWN                           | DESIGNED   | CHECKED         | APPROVED    | RELEASED |  |  |                                |  |
|                               |                 |                 | K.NAKAMURA                      | K.NAKAMURA | (Signature)     | (Signature) |          |  |  |                                |  |
|                               |                 |                 | 06.05.18                        | 06.05.18   | 06.05.19        | 06.05.19    |          |  |  |                                |  |
| DRAWING NO.<br>EDC3-152109-21 |                 |                 | PART NO.<br>FX11LA-80S/8-SV(91) |            |                 |             |          |  |  |                                |  |
| SCALE<br>5 : 1                |                 |                 | CODE NO.<br>CL573-0103-4-91     |            |                 |             |          |  |  |                                |  |
| UNITS<br>mm                   |                 |                 | HIROSE ELECTRIC CO., LTD.       |            |                 |             |          |  |  |                                |  |

Apr.1.2017 Copyright 2017 HIROSE ELECTRIC CO., LTD. All Rights Reserved.

| COUNT | DESCRIPTION OF REVISIONS | BY | CHKD | DATE | COUNT | DESCRIPTION OF REVISIONS | BY | CHKD | DATE |
|-------|--------------------------|----|------|------|-------|--------------------------|----|------|------|
|       |                          |    |      |      |       |                          |    |      |      |
|       |                          |    |      |      |       |                          |    |      |      |
|       |                          |    |      |      |       |                          |    |      |      |



NOTES 1 1 REEL:1000 CONNECTORS.  
 2 MINIMUM 10 COMPARTMENTS FROM BOTH REEL ENDS REMAIN EMPTY.  
 3 THIS PRODUCT HAS NO POLAVITY TO TAPE AND REEL PACKAGING.  
 4 THE DIMENSIONS IN PARENTHESES ARE FOR REFERENCE.

| 2                   | PET      | < TOP COVER TAPE >           | 3          | (CONNECTOR)         |                 |
|---------------------|----------|------------------------------|------------|---------------------|-----------------|
| 1                   | PS       | < EMBOSSED CARRIER TAPE >    |            |                     |                 |
| NO.                 | MATERIAL | FINISH, REMARKS              | NO.        | MATERIAL            | FINISH, REMARKS |
| CODE NO. (OLD)      |          | DRAWN                        | DESIGNED   | CHECKED             | APPROVED        |
| CL                  |          | K.NAKAMURA                   | K.NAKAMURA | K. Ogawa            | H. Okawa        |
| DRAWING FOR PACKING |          | 06.05.18                     | 06.05.18   | '06.05.19           | '06.05.19       |
| SCALE               |          | DRAWING NO.                  |            | PART NO.            |                 |
| 2 : 1               |          | EDC3-152109-21               |            | FX11LA-80S/8-SV(91) |                 |
| UNITS               |          | HRS HIROSE ELECTRIC CO., LTD |            | CODE NO.            |                 |
| mm                  |          |                              |            | CL573-0103-4-91     |                 |

TO  
PCK