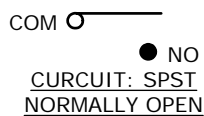
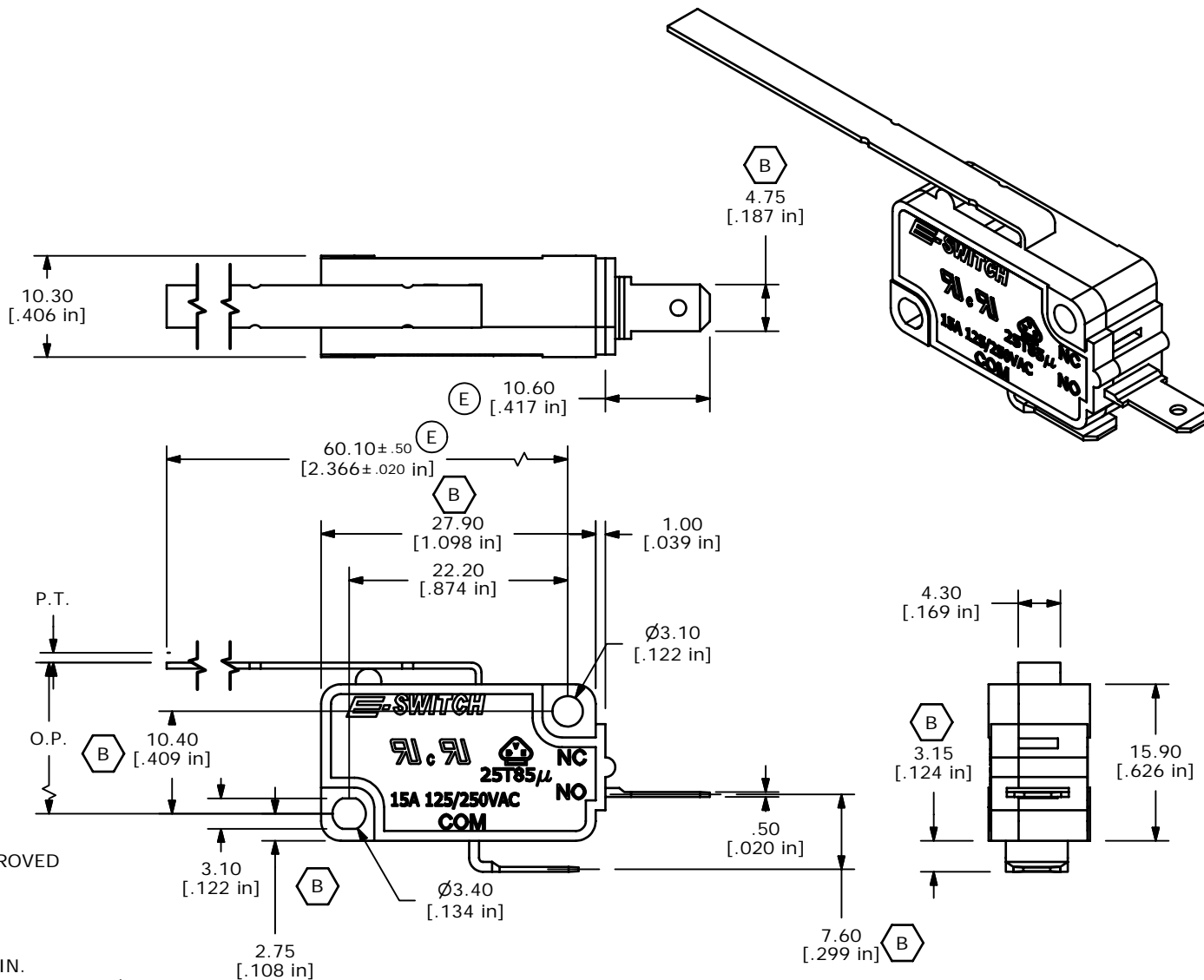


$\triangle$	O.P. (MM)	P.T. (MM)
$\triangle$	15.3±2.0	8.5 MAX.

O.P. = OPERATING POINT  
P.T. = PRE-TRAVEL



- NOTES:
1. ALL DIMENSIONS IN MM [INCH]
  2. GENERAL TOLERANCE: X.X=±0.4  
X.XX=±0.25
  3. RATING: 15A @125/250VAC UL, CUL, VDE APPROVED
  - ▲ 4. OPERATING FORCE: 40±15 GRAMS
  5. OPERATING TEMP: -25°C TO 85°C
  6. ELECTRICAL LIFE: 50,000 CYCLES MIN.
  7. MECHANICAL LIFE: 1,000,000 CYCLES TYP. (E)
  8. INSULATION RESISTANCE: 100 MEGA-OHMS MIN.
  9. DIELECTRIC STRENGTH: 1500VAC 1 MINUTE (INITAL VALUE)
  10. CONTACT RESISTANCE: 100 MILLI -OHMS MAX.
  11. ▲ DENOTES CRITICAL PARAMETER. (E)
  12. 2002/95/EC (ROHS) COMPLIANT (E)



E	15603	CHANGES NOTED	12/13/05	PH
D	15554	EDIT CIRCUIT, TRAVEL	11/21/05	PH
C	15058	CORRECTED DIMENSION	7/5/05	JB
B	14890	CHANGED DIMMENSIONS AND NOTES	5/2/05	JB
A	14712	RELEASED FOR PRODUCTION	3/9/05	AR
REV	PCR NO	DESCRIPTION	DATE	BY

THE INFORMATION CONTAINED IN THIS DOCUMENT IS PROPRIETARY TO E-SWITCH AND IS NOT TO BE COPIED OR TRANSFERRED

**E-SWITCH®**

TITLE LS0851503F040C1C

SCALE	DATE	DR	DWG	REV
1.5:1	2/25/2005	AR	Q950003	E