

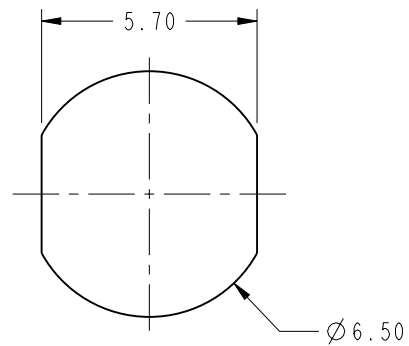
NOTES:

1. MATERIALS AND FINISHES:  
 FAKRA SMB PLUG: BODY - ZINC ALLOY, NICKEL PLATING  
 CENTER CONTACT - BERYLLIUM COPPER, GOLD PLATING  
 AMC PLUG: BODY - PHOSPHOR BRONZE, SILVER PLATING  
 CENTER CONTACT - PHOSPHOR BRONZE, GOLD PLATING  
 CABLE: 1.37MM MICRO-COAX
2. ELECTRICAL :  
 A. IMPEDANCE: 50 OHM
3. MECHANICAL:  
 A. RECOMMENDED LOCKWASHER TORQUE: 1.13 N-M [10 IN-LBS]
4. PACKAGING:  
 A. QUANTITY: SINGLE PACK  
 B. MARKING: BAG TO BE MARKED  
 "AMPHENOL RF, 95-820-109-XXX, AND DATE CODE"

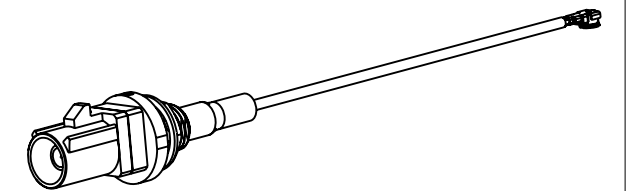
THIRD ANGLE PROJ.

REVISIONS

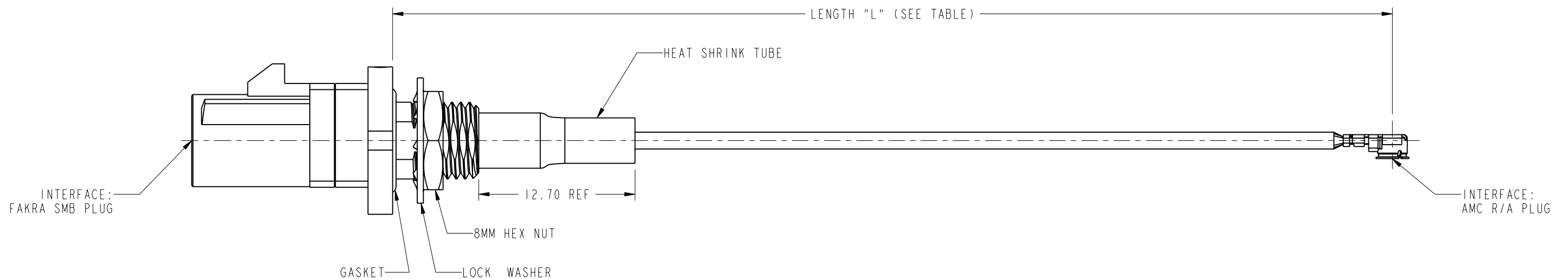
REV	DESCRIPTION	DATE	ECN	APPR
A	RELEASE TO MFG.	12-Feb-18	06921	BMG



**RECOMMENDED MOUNTING HOLE DIMENSIONS**



SCALE 1.000



PART NUMBER TABLE		
PART NUMBER	LENGTH "L" MM [IN]	FAKRA KEY CODE
95-820-109-05Z	50.00±5.00 [1.97±.20]	Z
95-820-109-10Z	100.00±5.00 [3.94±.20]	Z
95-820-109-15Z	150.00±5.00 [5.91±.20]	Z
95-820-109-20Z	200.00±5.00 [7.87±.20]	Z
95-820-109-25Z	250.00±5.00 [9.84±.20]	Z
95-820-109-30Z	300.00±5.00 [11.81±.20]	Z

ADDITIONAL LENGTHS AND FAKRA KEY CODES AVAILABLE BY CHANGING XXX TO DESIRED LENGTH IN MM AND FAKRA KEY CODE. CONTACT AMPHENOL RF MARKETING FOR QUOTE. EXAMPLE: -09B IS 90MM WITH FAKRA KEY CODE "B"

**DESIGN REQUIREMENTS:**

- |   |  |
|---|--|
| <input checked="" type="checkbox"/> FREQUENCY: DC TO 6 GHz                      | <input checked="" type="checkbox"/> CONTINUITY       |
| <input checked="" type="checkbox"/> VSWR : 1.30 MAX @ 2 GHz<br>1.50 MAX @ 6 GHz | <input checked="" type="checkbox"/> HI-POT :200 VRMS |
| <input type="checkbox"/> INS. LOSS ----- dB MAX                                 | <input type="checkbox"/> OTHER                       |

**CUSTOMER OUTLINE DRAWING**

ALL OTHER SHEETS ARE FOR INTERNAL USE ONLY

UNLESS OTHERWISE SPECIFIED, DIMENSIONS ARE IN METRIC AND TOLERANCES ARE:  
 <0.5mm ±0.05mm    0.5 - 6mm ±0.1mm    6 - 30mm ±0.2mm    30 - 120mm ±0.3mm    ANGLES ±1°

NOTICE - These drawings, specifications, or other data (1) are, and remain the property of Amphenol corp. (2) must be returned upon request; and (3) are confidential and not to be disclosed to any person other than those to whom they are given by Amphenol Corp. the furnishing of these drawings, specifications, or other data by Amphenol Corp., or to any other person to anyone for any purpose is not to be regarded by implication or otherwise in any manner licensing, granting rights to permitting such holder or any other person to manufacture, use or sell any product, process or design, patented or otherwise, that may in any way be related to or disclosed by said drawings, specifications, or other data.

MATERIAL SEE NOTES	DRAWN K. SONG	DATE 26-Feb-18	TITLE IP-67 FAKRA STR SMB PLUG TO AMC R/A PLUG ON 1.37MM CABLE, VARIOUS LENGTH	<b>Amphenol RF</b> <a href="http://www.amphenolrf.com">www.amphenolrf.com</a>
REFERENCE EAR# 8026 REF: 95-820-102-XXX	ENGINEER B. GREENBAUM	DATE 16-Oct-17	SCALE: 3.0:1.0 SHEET 2 OF 2	
CONFIGURATION LEVEL: In Work	APPROVED S. HSIEH	DATE 27-Feb-18	DWG SIZE B	DRAWING NO. 95-820-109-XXX
FINISH	CAD FILE		REV A	ITEM NO. 95-820-109-XXX
				PART NO. 95-820-109-XXX