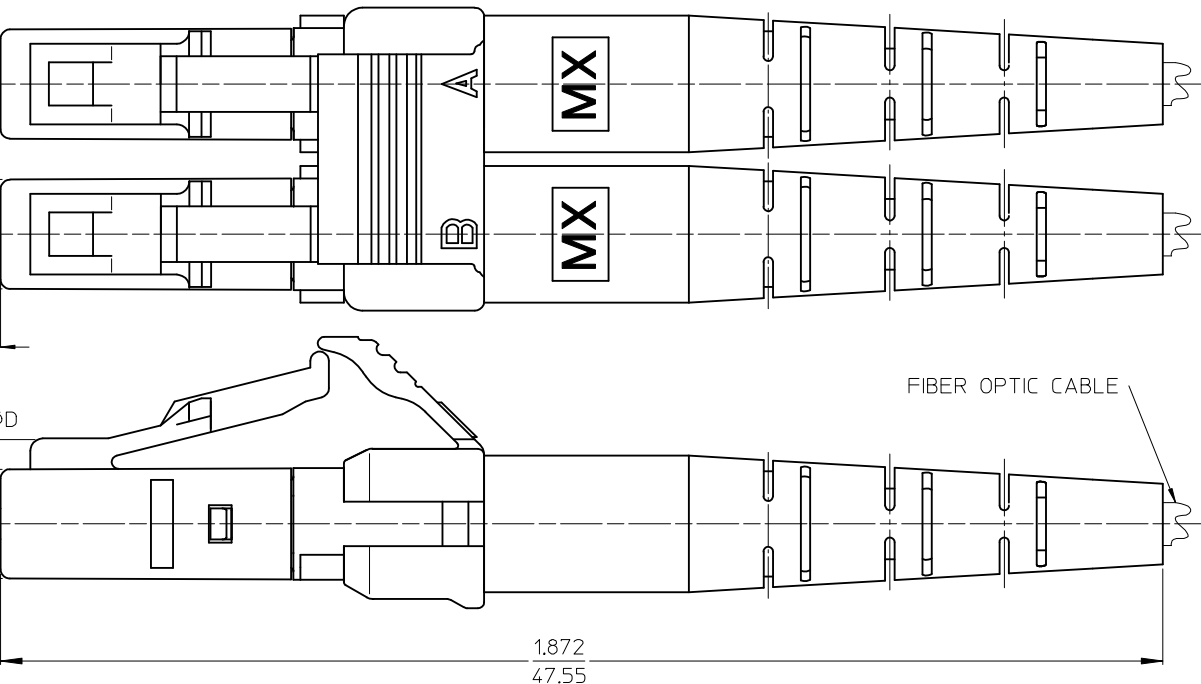
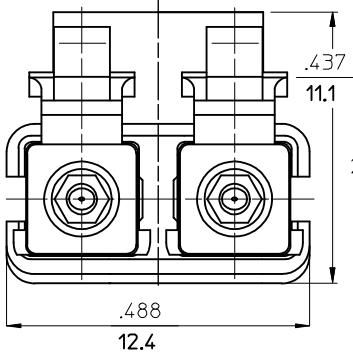


10	9	8	7
CONNECTOR P/N	∅D (4m)	CONNECTOR BODY AND BOOT COLOR	CABLE DESCRIPTION AND ∅ (mm)
106090-2810	125.5	GREEN	SIMPLEX 2.0
106090-6300	125.25		ZIPCORD 1.6
106090-2830	125.5		SIMPLEX 1.6
106090-6330	125.25		



(DUST CAPS NOT SHOWN)



ENTER DESCRIPTION EC NO: MF2006-0159 DRAWN: PGIBLIN 2005/10/14 CHKD: 2005/10/14 APPR: LGUMIN 2005/10/24 A	QUALITY SYMBOLS 	GENERAL TOLERANCES (UNLESS SPECIFIED)		DIMENSION STYLE IN/MM	SCALE 8:1	DESIGN UNITS INCH	THIRD ANGLE PROJECTION	
		4 PLACES ± --- ± --- 3 PLACES ± --- ± --- 2 PLACES ± --- ± --- 1 PLACE ± --- ± ---	mm INCH ± --- ± --- ± --- ± --- ± --- ± --- ± --- ± ---	DRAWN BY PGIBLIN DATE 2005/09/29	TITLE LC APC DUPLEX CONNECTOR	MOLEX INCORPORATED	DOCUMENT NO. SD-106090-MMM0	SHEET NO. 1 OF 01
		ANGULAR ±1/2°		APPROVED BY DATE	MATERIAL NO. SEE TABLE			
		DRAFT WHERE APPLICABLE MUST REMAIN WITHIN DIMENSIONS		THIS DRAWING CONTAINS INFORMATION THAT IS PROPRIETARY TO MOLEX INCORPORATED AND SHOULD NOT BE USED WITHOUT WRITTEN PERMISSION				