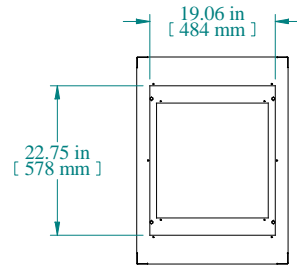


29.84 in
[758 mm]
USABLE DEPTH

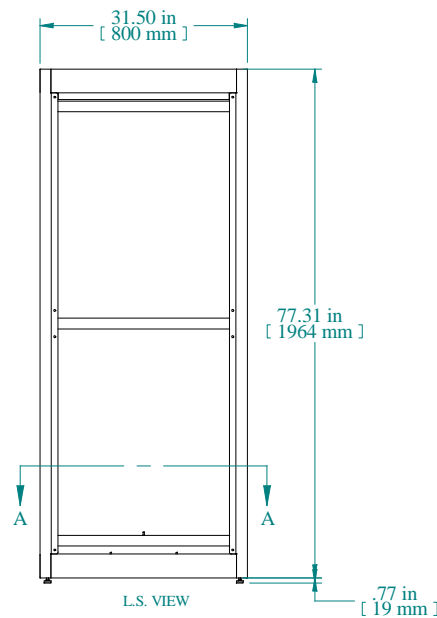
SECTION A-A



22.75 in
[578 mm]

19.06 in
[484 mm]

TOP VIEW

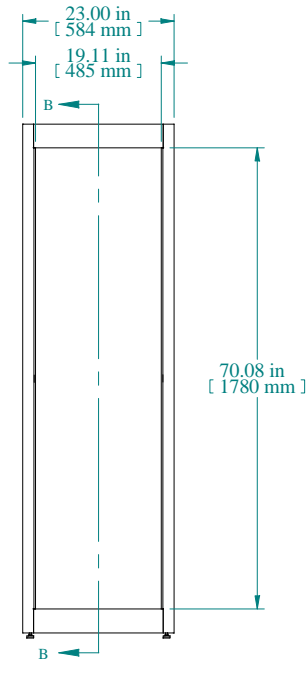


31.50 in
[800 mm]

77.31 in
[1964 mm]

L.S. VIEW

77 in
[19 mm]

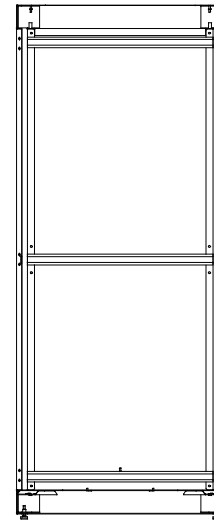


23.00 in
[584 mm]

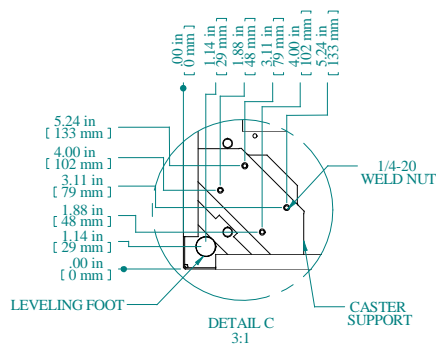
19.11 in
[485 mm]

70.08 in
[1780 mm]

FRONT VIEW



SECTION B-B

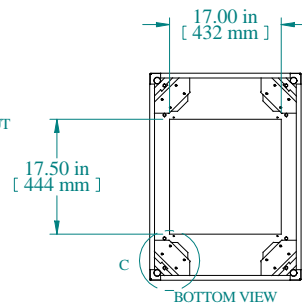


5.24 in
[133 mm]
4.00 in
[102 mm]
3.11 in
[79 mm]
1.88 in
[48 mm]
1.14 in
[29 mm]
1.00 in
[0 mm]

LEVELING FOOT

DETAIL C
3:1

1/4-20
WELD NUT
CASTER
SUPPORT



17.00 in
[432 mm]

17.50 in
[444 mm]

BOTTOM VIEW

PART NUMBERS	
C2F197031BK1	PAINTED BLACK TEXTURED
C2F197031CG1	PAINTED CONT. GRAY TEXTURED
C2F197031LG1	PAINTED RAL7035 TEXTURED
NOTES	
Welded Assembly See Hammond Website for Frame Accessories	

Data subject to change without notice. Isometric drawing not to scale.



**HAMMOND
MANUFACTURING™**

www.hammondmfg.com

PART NO. C2F197031