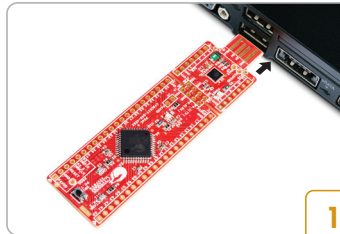
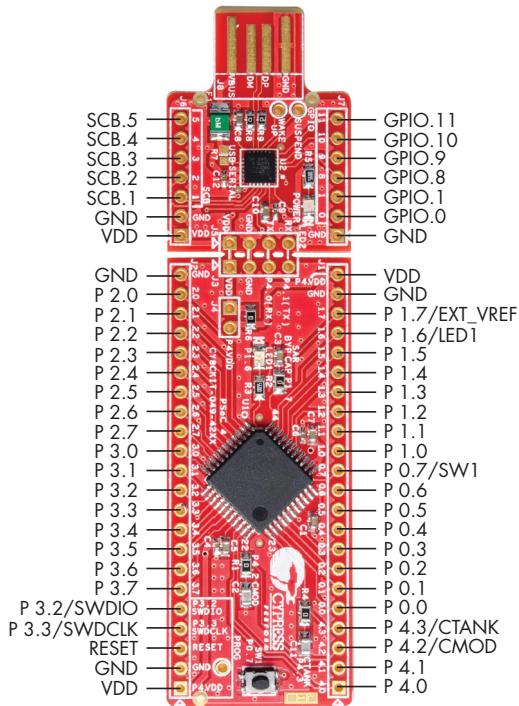
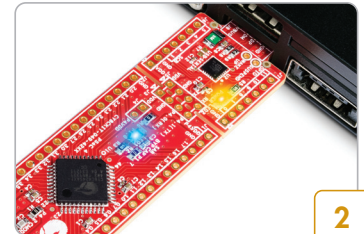


CY8CKIT-049-42xx PSoC® 4 PROTOTYPING KIT QUICK START GUIDE



- Connect the board to your computer using the USB connector



- Amber LED indicates power on
- Blue LED on the board Blinks



For more information on the kit, please go to the following web page:

www.cypress.com/CY8CKIT-049-42xx

Thank you for supporting PSoC®!

© 2014 Cypress Semiconductor Corporation. All rights reserved.
All trademarks or registered trademarks referenced herein are the
properties of their respective owners. Doc.# 001-90837 Rev.**



PSOC[®] Rocks!