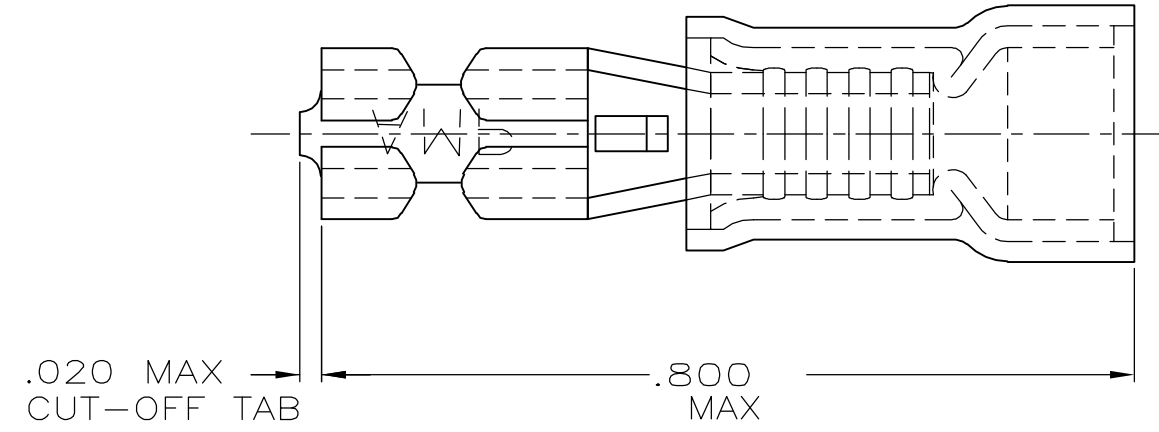
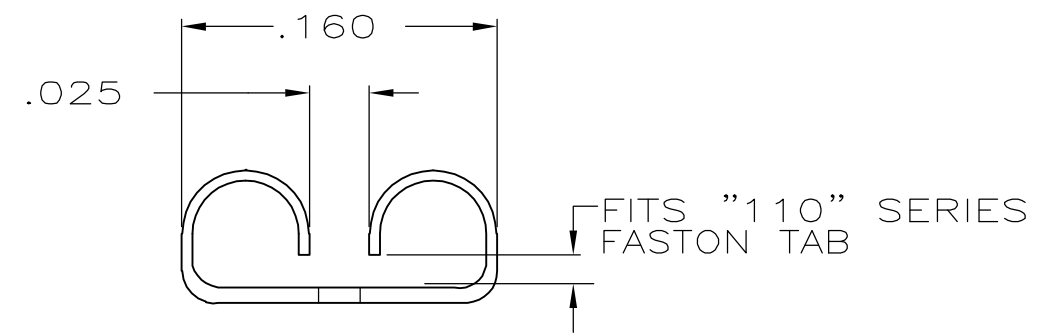
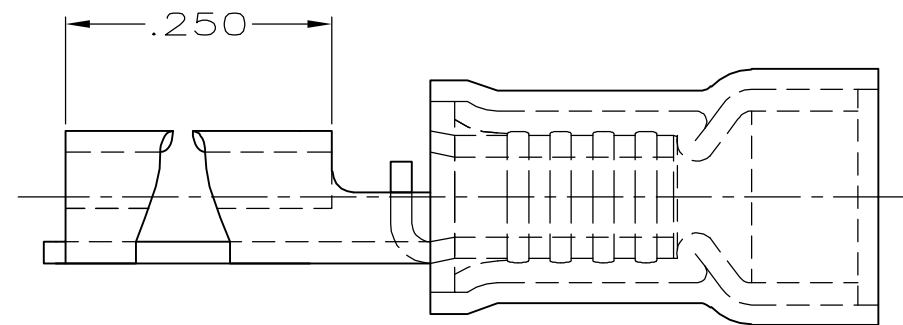


LOC	DIST	REVISIONS					
G	14	P	LTR	DESCRIPTION	DATE	DWN	APVD
		L1		REV PER ECR 06-001832	24apr06	JR	TM



- 1. INSULATION DIA .135 MAX
- 2. FITS TAB .032 THK



QTY	PACKAGE TYPE	PART NO
100	LOOSE PC,BOX	8-640925-1
-	TAPE MOUNTED	640925-2
-	LOOSE PIECE	640925-1

AMP INCORPORATED CUSTOMER SERVICE SYSTEM		MAX RECOMMENDED OPERATING TEMPERATURE: -	THIS DRAWING IS A CONTROLLED DOCUMENT FOR AMP INCORPORATED. IT IS SUBJECT TO CHANGE AND THE CONTROLLING ENGINEERING ORGANIZATION SHOULD BE CONTACTED FOR THE LATEST REVISION.		DWN L OLMEDA	AMP AMP Incorporated Harrisburg, PA 17105-3608
FOR ADDITIONAL PRODUCT INFORMATION OR COPIES OF DRAWINGS AND TECHNICAL DOCUMENTS	PRODUCT INFORMATION CENTER 1-800-522-6752	VOLTAGE RATING: -	DIMENSIONS: INCHES	TOLERANCES UNLESS OTHERWISE SPECIFIED: 0 PLC ±- 1 PLC ±- 2 PLC ±.015 3 PLC ±- 4 PLC ±- ANGLES ±-	CHK M ELLIS 15NOV95	
FOR APPLICATION TOOLING INFORMATION	TOOLING ASSISTANCE CENTER 1-800-722-1111	CIRCULAR MIL AREA: -		MATERIAL BODY,BRASS .016 SLV,NYLON,COLOR, RED	APVD B BARE 15NOV95	SIZE A3
FOR ORDER ENTRY 1-800-526-5142				FINISH BODY,PRE-TIN	PRODUCT SPEC -	CAGE CODE 00779
AMP 1470-19 REV 09MAY94 Translated 021119.125951 (YYMMDD.HHMMSS) from Computervision, Inc., Medusa Revision 12.2.5T					APPLICATION SPEC -	DRAWING NO C-640925
					WEIGHT -	SCALE NTS
					CUSTOMER DRAWING	SHEET 1 OF 1 REV L1